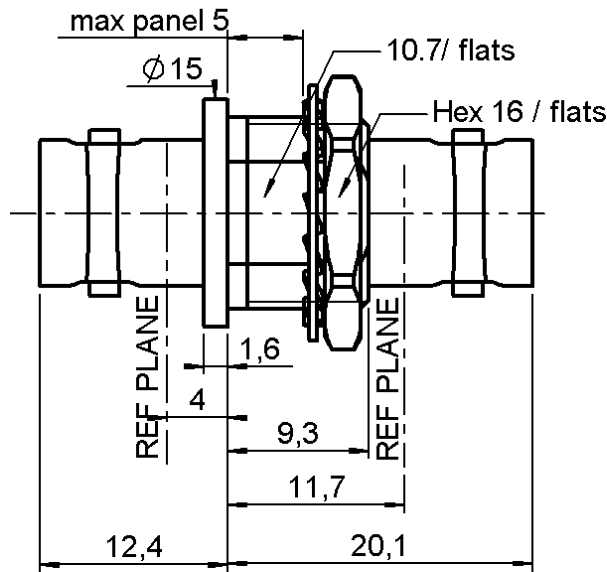


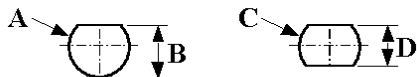
FEMALE-FEMALE BULKHEAD ADAPTOR
INSULATED BULKHEAD

R141.723.000

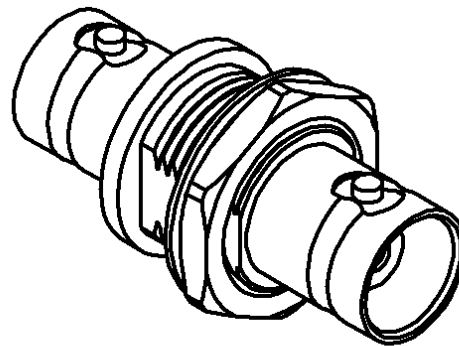
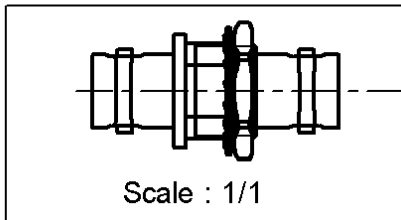
Series : BNC



PANEL CUT OUT



mm			mm		
	Maxi	mini		Maxi	mini
A	12.8	12.7	C	12.8	12.7
B	12.1	12	D	10.9	10.8



All dimensions are in mm.

COMPONENTS	MATERIALS	PLATINGS (µm)
BODY	BRASS	NICKEL 2
CENTER CONTACT	BERYLLIUM COPPER	GOLD 0.5 OVER NICKEL 2
OUTER CONTACT	BRASS	-
INSULATOR	PTFE	-
GASKET	-	-
OTHERS PARTS	BRASS	NICKEL 2
-	-	-
-	-	-

Issue : 0324 A

In the effort to improve our products, we reserve the right to make changes judged to be necessary.



FEMALE-FEMALE BULKHEAD ADAPTOR

R141.723.000

INSULATED BULKHEAD

Series : **BNC**

PACKAGING

SPECIFICATION

Standard	Unit	Other
100	'W' option	Contact us

ELECTRICAL CHARACTERISTICS

ENVIRONMENTAL

Impedance		50 Ω
Frequency		0-4 GHz
VSWR	1.25 +	0.000 x F(GHz) Maxi
Insertion loss		0.115 √F(GHz) dB Maxi
RF leakage	- (57 - F(GHz)) dB Maxi
Voltage rating		500 Veff Maxi
Dielectric withstanding voltage		1000 Veff mini
Insulation resistance		5000 MΩ mini

Operating temperature	-65/+165 °C
Hermetic seal	NA Atm.cm3/s
Panel leakage	NA

OTHERS CHARACTERISTICS

Assembly instruction **NA**

Others :
-

MECHANICAL CHARACTERISTICS

Center contact retention		
Axial force – Mating end	18	N mini
Axial force – Opposite end	18	N mini
Torque	2.8	N.cm mini
Recommended torque		
Mating	NA	N.cm
Panel nut	150	N.cm
Mating life	500	Cycles mini
Weight	13.000	g

Issue : 0324 A

In the effort to improve our products, we reserve the right to make changes judged to be necessary.

