

6

5

4

3

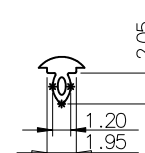
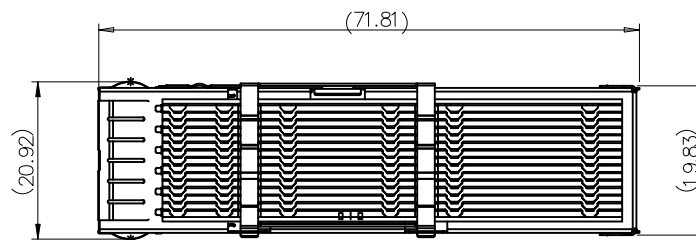
2

1

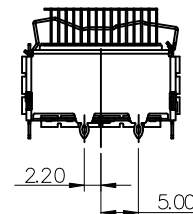
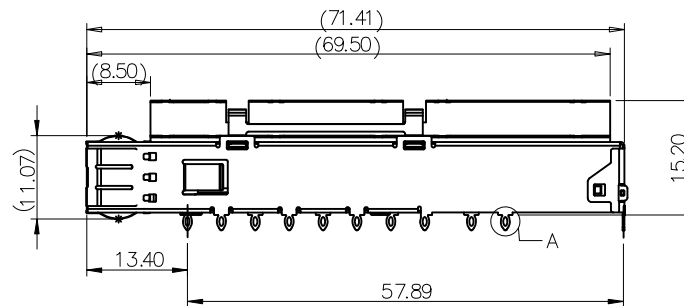
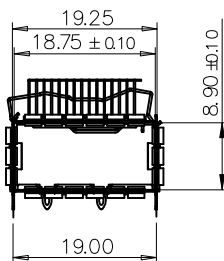
APPROVED: _____

DATE: _____ TITLE: _____

Rev	AWO #	Description	Date	Appr
-		RELEASED	10/4/22	



DETAIL A



A

SPECIFICATIONS:

- Material:
- Cage: Stainless Steel
- EMI Spring: Stainless Steel
- Heat Sink Clip: Stainless Steel
- Heat Sink: Aluminum, Nickel Plated
- Environmental:
- Lead free, RoHS compliant



UNLESS OTHERWISE SPECIFIED ALL DIMENSIONS ARE MILLIMETERS. TOLERANCES: EXCEPT AS NOTED		
MM	ANGLE	
X, ± 0.50	± 5°	
.X ± 0.30		
.XX ± 0.20		
DRAWN	WX	10/4/22
CHECKED	RC	10/4/22
APPROVED		
THIS DRAWING CONTAINS INFORMATION THAT IS PROPRIETARY AND SHOULD NOT BE USED WITHOUT PRIOR WRITTEN PERMISSION FROM ADAM TECH		



909 Rahway Avenue,
 Union, NJ 07083
 Phone: 908-687-5000
 Fax: 908-687-5710

TITLE			REV.
QSFP-DD 1X1 CAGE, WITH EMI			
SIZE	PART NO.	REV.	
X	QSFP1-DD-EMI-HSK-S3	-	
REF: S00013T	SCALE: NTS	SHEET 1 OF 2	

6

5

4

3

2

1

6

5

4

3

2

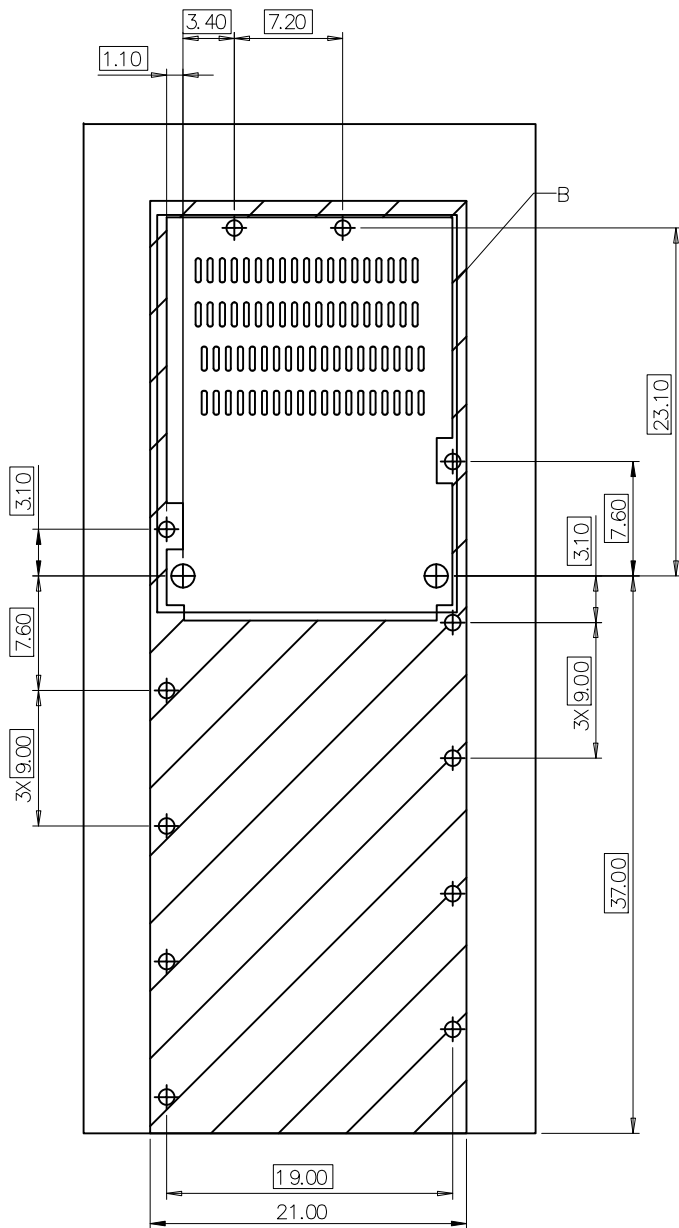
1

APPROVED: _____

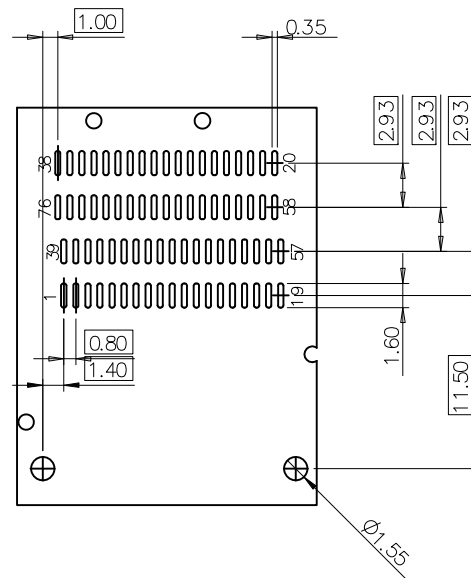
DATE: _____ TITLE: _____

Rev	AWO #	Description	Date	Appr
-----	-------	-------------	------	------

SEE SHT 1 OF 2 FOR REVISION



RECOMMENDED PCB LAYOUT



UNLESS OTHERWISE SPECIFIED ALL DIMENSIONS ARE MILLIMETERS. TOLERANCES: EXCEPT AS NOTED			ADAM TECH 909 Rahway Avenue, Union, NJ 07083 Phone: 908-687-5000 Fax: 908-687-5710
MM	ANGLE		
X. ± 0.50	± 5°		
.X ± 0.30			
.XX ± 0.20			
DRAWN	WX	10/4/22	TITLE
CHECKED	RC	10/4/22	QSFP-DD 1X1 CAGE, WITH EMI
APPROVED			
THIS DRAWING CONTAINS INFORMATION THAT IS PROPRIETARY AND SHOULD NOT BE USED WITHOUT PRIOR WRITTEN PERMISSION FROM ADAM TECH			REV. -
SIZE X	PART NO. QSFP1-DD-EMI-HSK-S3	REF: S00013T	SCALE: NTS SHEET 2 OF 2

6

5

4

3

2

1