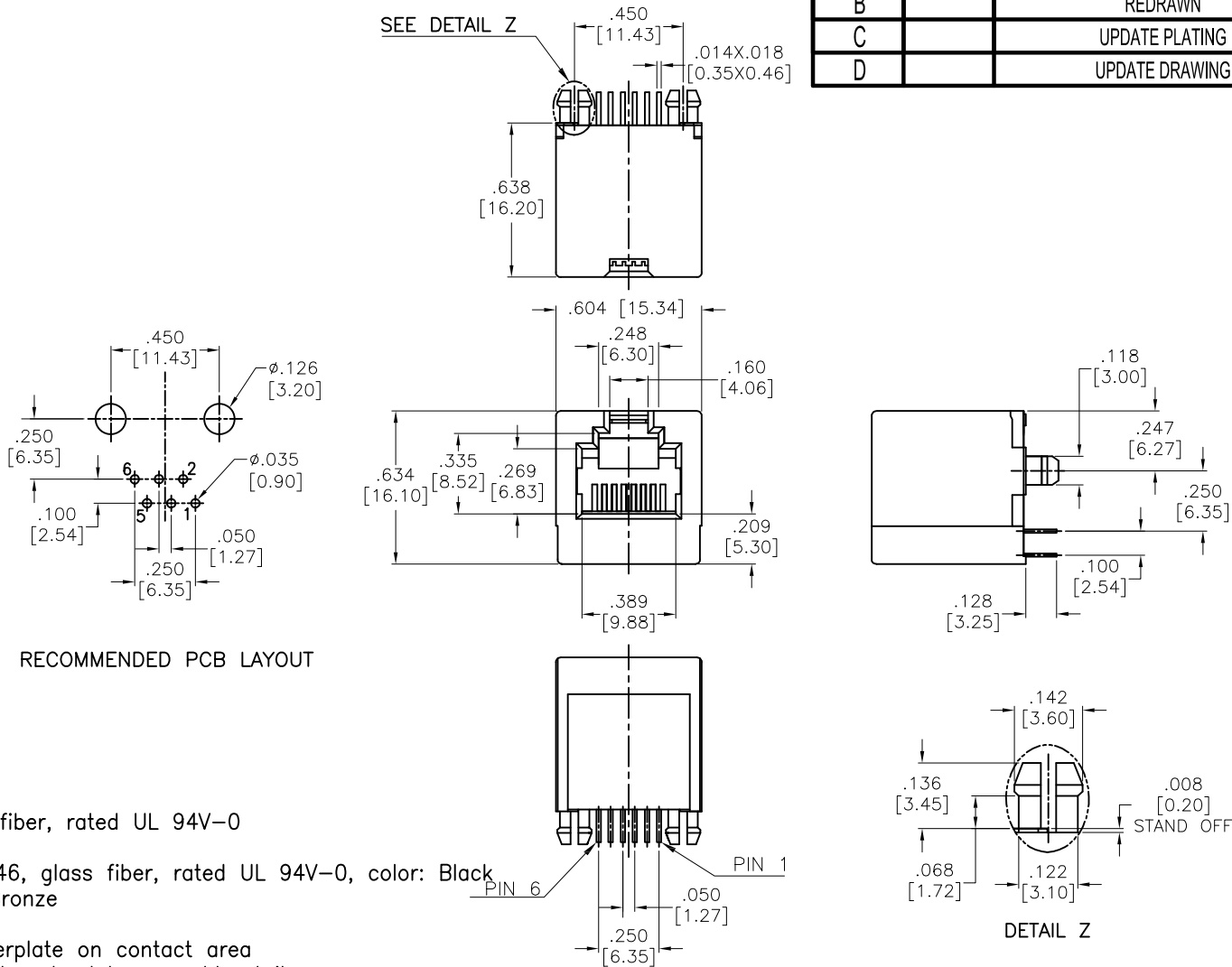


APPROVED: _____
 DATE: _____ TITLE: _____

Rev	AWO #	Description	Date	Appr
-		RELEASED	10/4/04	
A		REDRAWN	4/08/09	
B		REDRAWN	1/14/15	AY/YC
C		UPDATE PLATING	6/20/19	LH/TW
D		UPDATE DRAWING	9/21/20	AY/EC



RECOMMENDED PCB LAYOUT

SPECIFICATIONS:

Material:
 Insulator: PBT, glass fiber, rated UL 94V-0
 Insulator color: Black
 Insert Housing: Nylon46, glass fiber, rated UL 94V-0, color: Black
 Contacts: Phosphor Bronze
 Plating:
 Gold over Nickel underplate on contact area
 Gold flash over Nickel underplate on solder tails
 Electrical:
 Operating voltage: 150 VAC max
 Current rating: 1.5 Amps max
 Contact resistance: 20 mohms max
 Insulation resistance: 500 Mohms min @ 500 VDC
 Dielectric withstanding voltage: 1000 VAC for 1 minute
 Temperature Rating:
 Operating temperature: -40°C to +85°C
 Environmental:
 Lead free, RoHS compliant.



UNLESS OTHERWISE SPECIFIED ALL DIMENSIONS ARE INCHES [MM] TOLERANCES: EXCEPT AS NOTED		ADAM TECH 909 Rahway Avenue, Union, NJ 07083 Phone: 908-687-5000	
INCHES HOLES		Fax: 908-687-5710	
.X ± .10	Ø.X ± .10	TITLE MODULAR TELEPHONE JACK, 6P6C TOP ENTRY, PCB	
.XX ± .020	Ø.XX ± .015		
.XXX ± .015	Ø.XXX ± .010		
APPROVALS		DATE	
DRAWN	SS	10/4/04	
CHECKED			
APPROVED			
SIZE X	PART NO. MTJ-66FX1	REV. D	
REF: S00065T	SCALE: NTS	SHEET 1 OF 1	