

Customer Part:

Description

- The IQXT-316-7 uses ASIC technology and is designed to meet the short and medium term stability requirements of packet network synchronisation for Small Cells. The oscillator has low jitter to meet network interface requirements (e.g. 10GE) and low phase noise to meet radio interface requirements of LTE-A (TS 36.104) and WCDMA (TS 25.104) transceivers. The IQXT-316-7 is the ideal choice for Small Cell synchronisation requirements.
- Model IQXT-316-7
- Model Issue number 1

Frequency Parameters

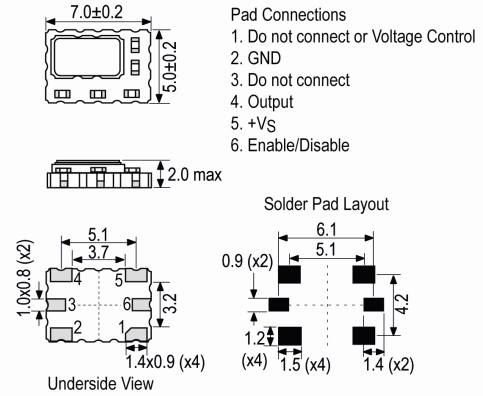
- Frequency 24.5760MHz
- Frequency Tolerance ±1.00ppm
- Tolerance Condition @ 25°C ±1°C & VC=1.65V
- Frequency Stability ±0.16ppm
- Operating Temperature Range -20.00 to 70.00°C
- Ageing @ 25°C:
 - ±20ppb max per day
 - ±200ppb max per month
 - ±1ppm max per year
 - ±2ppm max over 3yrs
- Acceleration Sensitivity (gamma vector of all 3 axes from 30 to 1500Hz): 2ppb/G typ
- Supply Voltage Variation (±2% change @ 25°C ref to frequency @ nominal Vs): ±10ppb typ
- Load Variation (±1pF change @ 25°C ref to frequency @ nominal load): ±10ppb typ
- Reflow Variation (after 1hr recovery @ 25°C): ±0.5ppm max
- Temperature Rate of Change (maximum rate of change of temperature condition for guaranteed stability specifications): 1°C/min max
- Note: The characteristics of the oscillator may be temporarily affected by the processes of assembly and soldering. The frequency specifications apply 48hrs after assembly and after the first excursion over the operating temperature range.

Electrical Parameters

- Supply Voltage 3.3V ±5%
- Current Draw 6.500mA
- Absolute Maximum Ratings:
 - Supply Voltage (Vs): -0.5 to 7V
 - Control Voltage (VC): -0.5V to 9V
 - All other inputs: -0.5 to Vs+0.5V
 - Power Dissipation: 100mW max
 - Junction Temperature: 150°C max
 - Note: Operating beyond these limits may result in change or permanent damage to the oscillator.

Frequency Adjustment

- Pulling ±5ppm to ±10ppm
- Control Voltage 1.65V ±1.15V
- Input Impedance 100kΩ min
- Linearity: 1% max
- Slope: +7ppm/V typ
- Modulation Bandwidth: 1Hz min

Outline (mm)

Sales Office Contact Details:

 UK: +44 (0)1460 270200
 Germany: 0800 1808 443

 France: 0800 901 383
 USA: +1.760.318.2824

 Email: info@iqdfrequencyproducts.com
 Web: www.iqdfrequencyproducts.com

Customer Part:**Output Details**

- Output Compatibility HCMOS
- Drive Capability 15pF
- Rise and Fall Time 8.0ns max
- Duty Cycle 45/55
- Output Voltage Levels:
Output Low (VoL): 10%Vs max
Output High (VoH): 90%Vs min
- Start Up Time (amplitude within 90% of specified output level):
15ms

Output Control

- Tri-State Mode:
Logic '0' (20%Vs max) to pad 6 disables the oscillator output, the output goes to a high impedance state.
Logic '1' (60%Vs min) or no connection to pad 6 enables the oscillator output.
Note: When disabled the oscillator and compensation circuit are still active (Current Consumption: 2mA typ)
- Output Enable Time: 100us max

Noise Parameters

- Phase Noise @ 25°C (typ):
-60dBc/Hz @ 1Hz
-98dBc/Hz @ 10Hz
-127dBc/Hz @ 100Hz
-143dBc/Hz @ 1kHz
-151dBc/Hz @ 10kHz
-154dBc/Hz @ 100kHz
-157dBc/Hz @ 1MHz
- Phase Jitter (12kHz to 5MHz): 290fs RMS typ

Environmental Parameters

- Low Temperature Storage: IEC 60068-2-01, Test Ab: 1000hrs @ -55°C.
- High Temperature Storage: IEC 60068-2-02, Test Bb: 1000hrs @ 150°C.
- Mechanical Shock: JESD22-B104: 1500G, 0.5ms duration, 5 pulses in each of 6 directions.
- Vibration: JESD22-B103: 20G peak acceleration for 4hrs in each of the 3 orientations, tested from 60-2000Hz, 12hrs total.
- High Temperature Operating Life (HTOL): JESD22-A108: 1008hrs @ 125°C.
- Thermal Cycling: JESD22-A104: 500 temperature cycles, -55 to 125°C.
- Solderability: JESD22-B102, Method 1, Condition E: 260°C for 5secs. (preconditioning: 150°C, 16hrs).
- Resistance to Soldering Heat: IPC/JEDEC J-STD-020: 3 reflow cycles (peak temperature 260°C).
- Humidity: JESD22-A101: After 1008hrs @ 85°C, 85% RH (preconditioning: 3 reflow cycles @ peak temperature 260°C).
- Ageing: MIL-PRF-55310: 1008hrs @ 85°C (preconditioning: 3 reflow cycles @ peak temperature 260°C).

Manufacturing Details

- Maximum Process Temperature: 260°C (30secs max)
- RoHS Terminations
- RoHS Reflow Temp 260°C max for 30secs max

Sales Office Contact Details:

UK: +44 (0)1460 270200

France: 0800 901 383

Email: info@iqdfrequencyproducts.com

Germany: 0800 1808 443

USA: +1.760.318.2824

Web: www.iqdfrequencyproducts.com

Customer Part:**Compliance**

- RoHS Status (2015/863/EU) Compliant
- REACH Status Compliant
- MSL Rating (JDEC-STD-033): 1

Packaging Details

- Pack Style: Reel Tape & reel in accordance with EIA-481-D
Pack Size: 500
- *Alternative packing option available*

Sales Office Contact Details:

UK: +44 (0)1460 270200
Germany: 0800 1808 443

France: 0800 901 383
USA: +1.760.318.2824

Email: info@iqdfrequencyproducts.com
Web: www.iqdfrequencyproducts.com