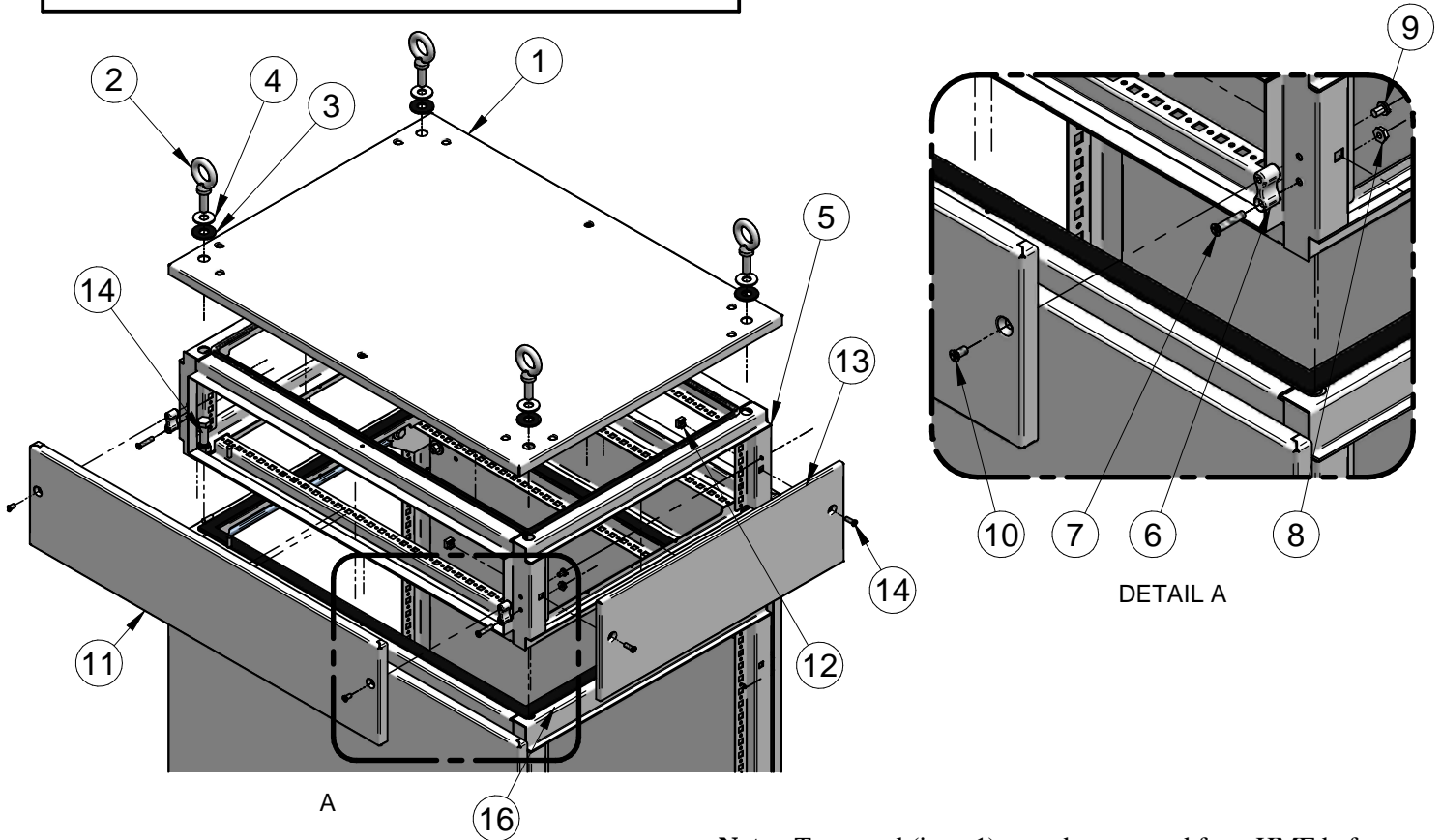


# HTCM - SERIES

ASSEMBLY INSTRUCTIONS FOR  
HME - TOP CABLING MODULE

**BUL86249**  
REV. B



**Note:** Top panel (item 1) must be removed from HME before installing Top Cabling Module Frame. Eyebolts (item 2), rubber washers (item 3) and flat washers (item 4) are re-used for top panel installation.

ITEM	DESCRIPTION	QTY
1	TOP PANEL (not included)	1
2	EYE BOLTS (existed)	4
3	RUBBER WASHER (existed)	4
4	FLAT WASHER (existed)	4
5	TOP CABLING MODULE FRAME	1
6	SPACER	4
7	1/4-20 X 1-1/4 F.H. SCREW	4
8	1/4-20 KEP NUT	4
9	1/4-20 X 3/8 RND SCREW	4
10	1/4-20 X 1/2 F.H. SCREW	4
11	FRONT/BACK PANEL	2
12	CAGE NUT	4
13	SIDE PANEL (not included)	2
14	1/4-20 X 3/4 F. H. SCREW	4
15	1/2-13 X 1.5 HEX BOLT	4
16	1/4" X 3/4" GASKET	-

- A) Add 1/4 x 3/4" gasket to top inside perimeter of main HME frame (trim where needed). Align Top Cabling Module Frame (item 5) with the top of HME frame.
- B) Use 1/2-13 x 1-1/2" bolts supplied (item 14) to fasten Top Cabling Module Frame (item 5) to the HME frame. Tighten securely.
- C) Re-install the top panel (item 1) to the Top Cabling Module Frame (item 5) using the existing eyebolts, rubber washers, and flat washers.
- D) Install spacers (item 6) before installing front/back panels (item 11). Make sure the threaded hole of the spacer is aligned with the top hole on the vertical rails of the Top Cabling Module Frame.
- E) Install cage nut (item 12) before installing side panels (item 13). Side panels are sold separately.

