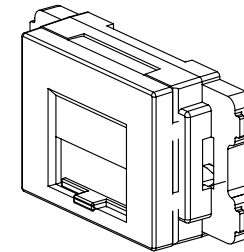
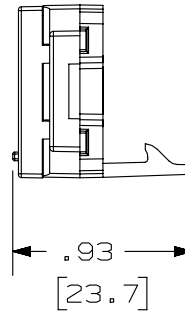
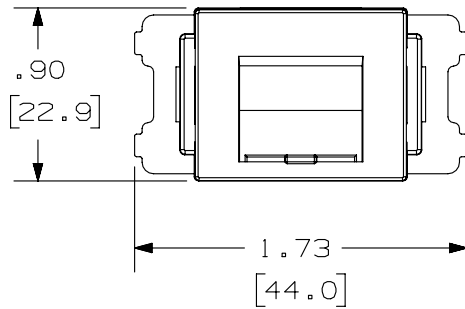
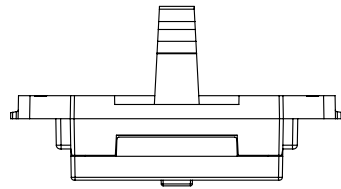


THIS COPY IS PROVIDED ON A RESTRICTED BASIS AND IS NOT TO BE USED IN ANY WAY DETRIMENTAL TO THE INTERESTS OF PANDUIT CORP.

PANDUIT P/N	WEIGHT
CMAOSS**-X	.20 LB/10 PCS (89.0 g/10 PCS)

NOTES:

- SEE CURRENT CATALOG FOR ADDITIONAL PART NUMBER SUFFIXES TO INDICATE COLOR AND OR PACKAGE QUANTITY.
- SEE CATALOG FOR COMPLETE LIST OF PARTS APPLICABLE FOR USE WITH THIS PART.
- DIMENSIONS IN PARENTHESES ARE IN METRIC.
- PART INCLUDES:
1- ADAPTER WITH OPAQUE DOOR



PART NUMBER		CMAOSS** - X	
TITLE		MINI-COM 1 POSITION JIS SPRING SHUTTERED ADAPTER	
		CUSTOMER DRAWING	
ITEM REVISION NAME		M02079AM/00	
DATASET FILE NAME		M02079AM_DC09/00C	
UNLESS OTHERWISE SPECIFIED, DIMENSIONAL TOLERANCES ARE: IN [mm]		MATERIAL:	
.x ± .xxx ± .010 [.3]		ADAPTER - ABS	
.xx ± .03 [.8] ANGLES ±		DOOR - ABS	
THIRD ANGLE PROJECTION		SPRING - SPRING STEEL	
DRAWING NUMBER:		02079-09	
DRAWN BY	DATE	CHK	SCALE
JSP	11-19-08	TCK	NONE
SHT 1 OF 1		SIZE A	

REV	DATE	BY	CHK	APR	DESCRIPTION	ECN
2	6-23-14	MDJR	REFR	MMR	B. UPDATED TITLE BLOCK	02079-09
1	3-13-09	JSP	JCO	JCO	A. DOOR MATERIAL WAS PC.	02079-09
R	11-19-08	JSP	TCK	TCK	RELEASED TO PRODUCTION	02079-09

D10100DA/14