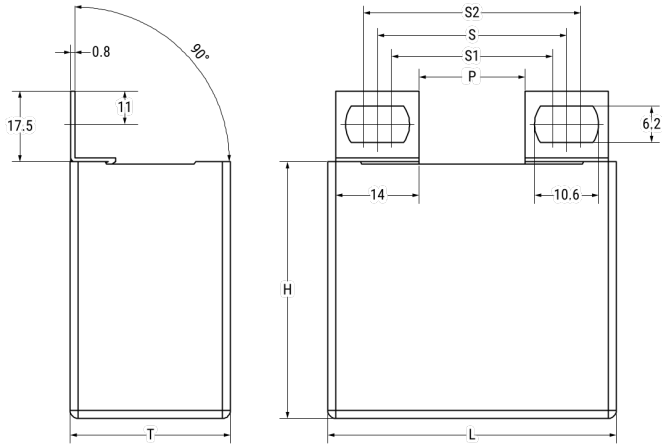


C4BSNBX4100ZHF J

C4BS, Film, Metallized Polypropylene, Power, 1 uF, 5%, 600 VAC, 1000 VDC, 70°C, Lead Spacing = 25.5mm



Click [here](#) for the 3D model.

Dimensions	
L	41.5mm +1.5/-0.7mm
H	40mm +0.2/-0.7mm
T	20mm +0.4/-0.7mm
S	25.5mm +/-0.2mm
S1	21.5mm +/-0.2mm
S2	29.5mm +/-0.2mm
P	10.5mm NOM

Packaging Specifications	
Packaging	Bulk, Bag
Packaging Quantity	52

General Information	
Series	C4BS
Dielectric	Metallized Polypropylene
Style	Radial
Features	IGBT Circuit
RoHS	Yes
Lead	Flat Tabs
AEC-Q200	No
Component Weight	51.92 g
Miscellaneous	KEMET Style H Tabs.

Specifications	
Capacitance	1 uF
Capacitance Tolerance	5%
Voltage AC	600 VAC
Voltage DC	1000 VDC
Temperature Range	-40/+85°C
Rated Temperature	70°C
Max dV/dt	827 V/us
Resistance	3.7 mOhms (100kHz)
Ripple Current	23 Amps (100kHz 70C), 827 Amps (Peak)
Inductance	41 nH