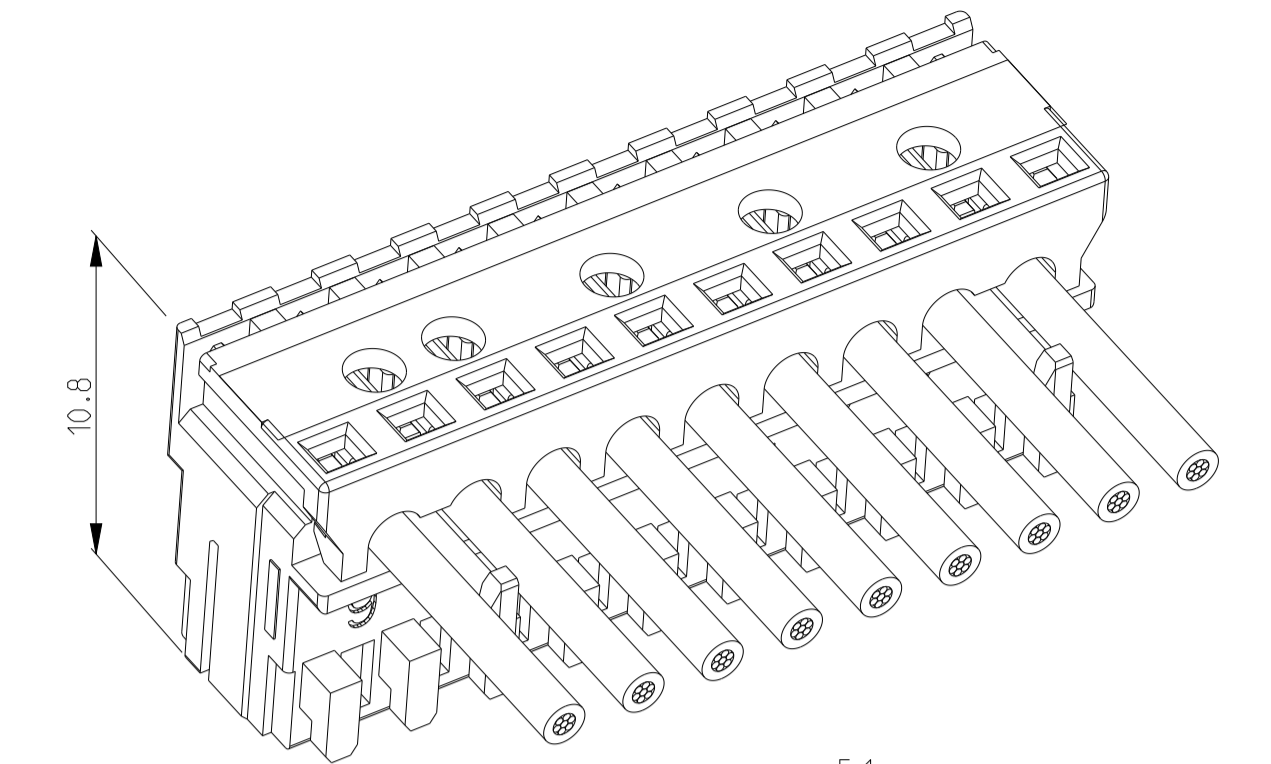
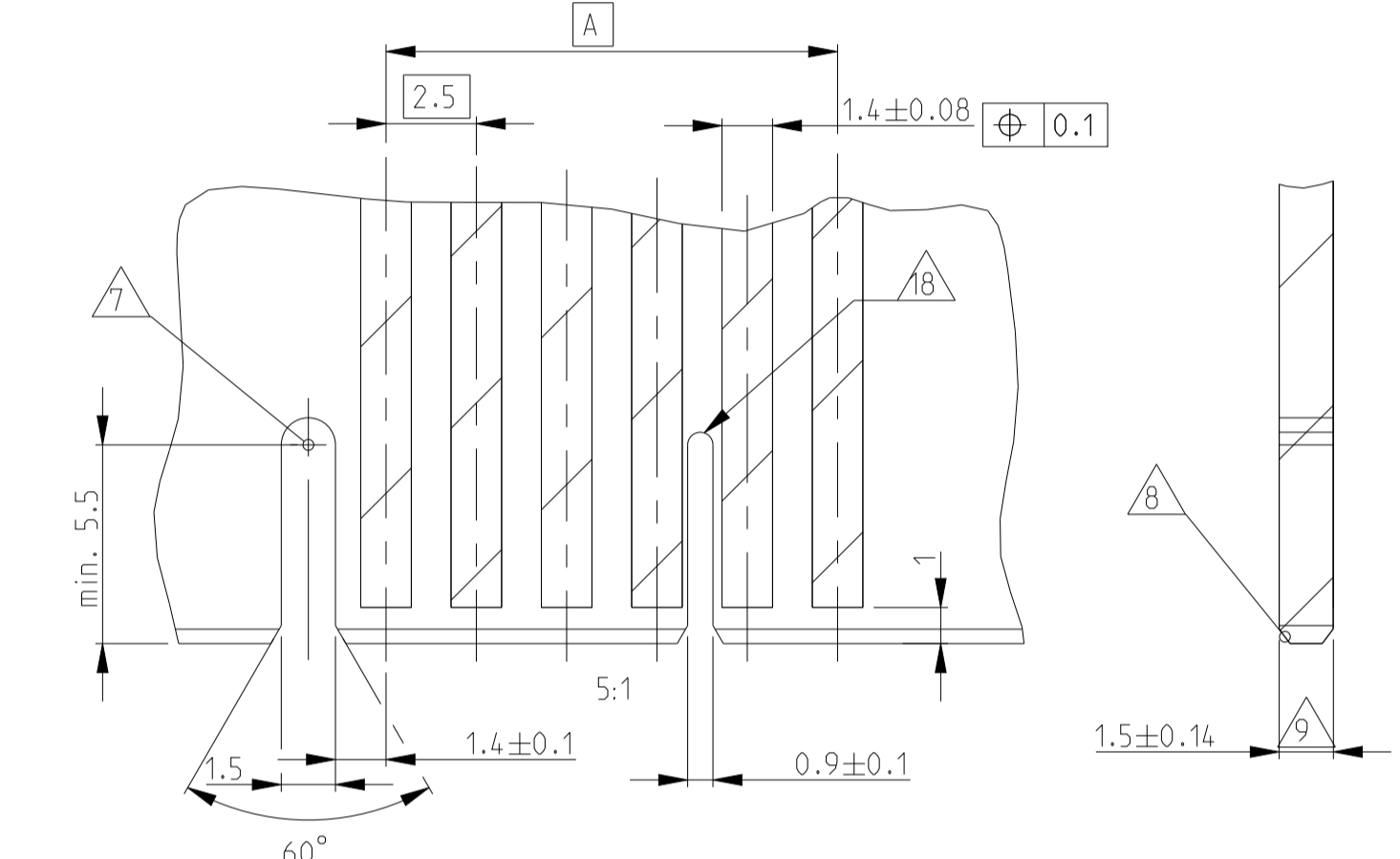


- △29 CAVITY ID STARTS WITH LETTER FOR PARTS PRODUCTION IN QINGDAO PLANT, SUCH AS "A1."
- △28 STRIPE IN YELLOW COLOR WHERE SHOWN PRESENT ON THE PARTS PRODUCED IN TE COLLEGO ONLY
- △27 DIMENSION AVAILABE FOR PART X-2304525-X, X-2304526-X.
- △26 WITH SPECIAL CHAIN FEATURE
- △25 SIDE KEYING ON LAST CAVITY THICKNESS=1.5mm
- △24 SIDE KEYING ON CAVITY 1 THICKNESS=1.5mm
- △19 COLOR STRIP ON COVER OF HOUSING. NOT THE COLOR OF HOUSING.
- △18 SLOT. THICK. BETWEEN CAVITIES
- △17 KEYING. THICK. BETWEEN POSITION
- △16 SLOT. SLIM. FOR SIDE KEYING. LAST CAVITY
- △15 SLOT. SLIM. FOR SIDE KEYING. SIDE CAVITY 1
- △14 SIDE KEYING. SLIM. ON LAST CAVITY
- △13 SIDE KEYING. SLIM. ON CAVITY 1
- △12 KEYING SLIM BETWEEN POSITIONS
- △11 PRELIMINARY PART NOT RELEASED FOR PRODUCTION
- △10 TE LOGO
- △9 INCLUSIVE COPPER LOADING
- △8 PCB PREFERABLY CHAMFERED
- △7 SLOT. THICK. FOR SIDE KEYING
- △6 SIDE KEYING. THICK. ON LAST CAVITY
- 5 WIRE RANG: 0.22-0.35mm<sup>2</sup> SEE APPLICATION SPEC. 114-18467
- △4 IEC60695-2-11 / IEC60335-1 GLOW WIRE TEST 750 °C W WITHOUT FLAME
- △3 X..CAVITY LOADED WITH CONTACT  
O..CAVITY WITHOUT CONTACT
- 2 MATING PART: PCB (WITH FRAMES ACC. RAST 2.5 E.G. PN 964 575/576  
TAB HEADER (FOR EXAMPLE: X-1971921/922-Y)
- △1 KEYING RIBS: CUTTING WITH TERMINATION MACHINE POSSIBLE

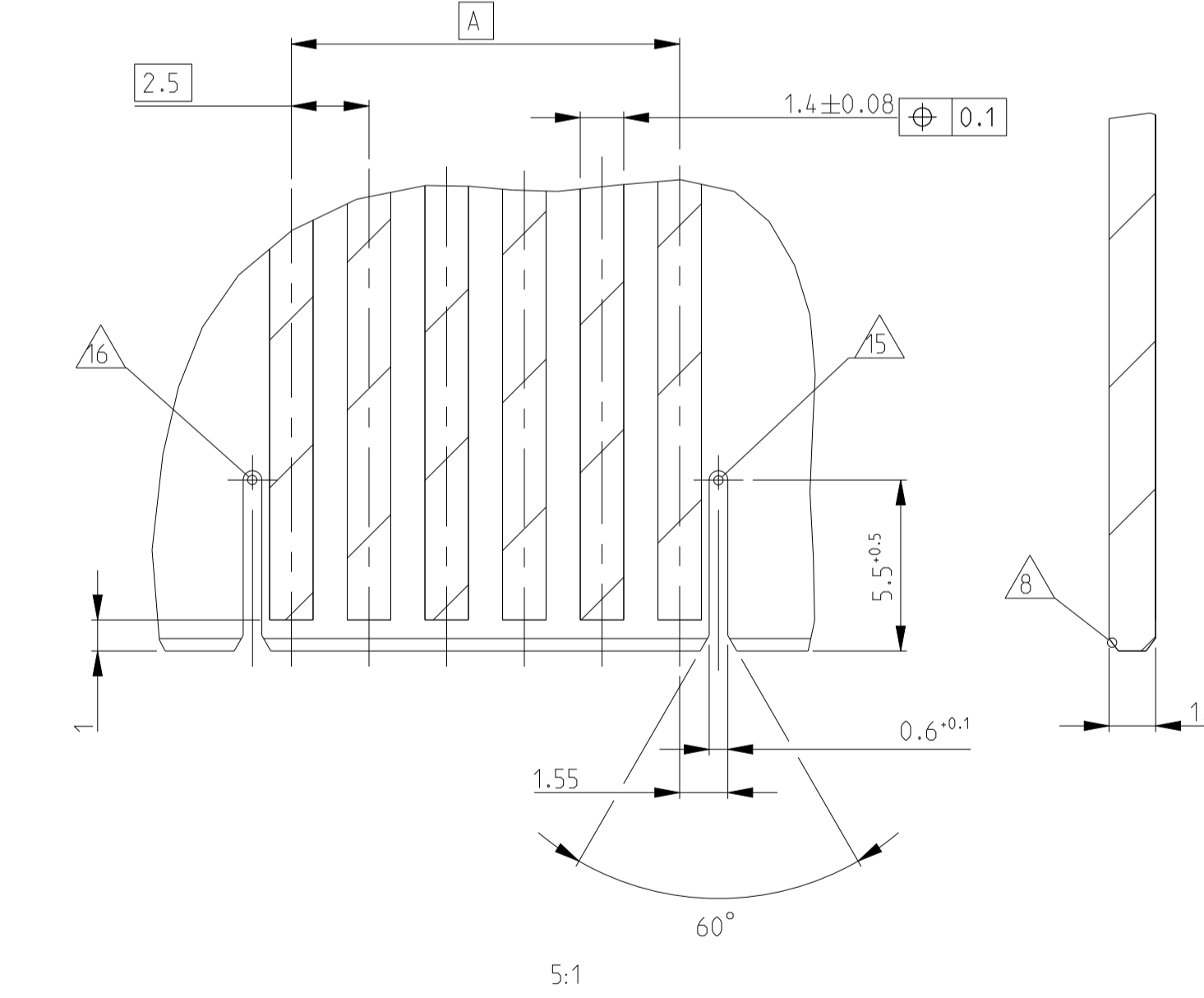
LOC	DIST	REVISIONS			
A1	-	REV	DATE	BY	APPV
		D61	ECR-22-157753	08NOV2022	TL FL
		D62	ECR-22-162132	17JAN2023	DC FL
		D63	ECR-22-154280	10MAR2023	SM FL
		D64	ECR-23-170499	31MAR2023	DC FL



PCB LAYOUT KEYED / CONNECTED ONLY WITH ADDITIONAL FRAME (THICK KEYING)  
Leiterplattenanschluss kodiert / nur in Verbindung mit zusätzlichem Rahmen



PCB LAYOUT KEYED / CONNECTED ONLY WITH ADDITIONAL FRAME (SLIM KEYING)  
Leiterplattenanschluss kodiert / nur in Verbindung mit zusätzlichem Rahmen

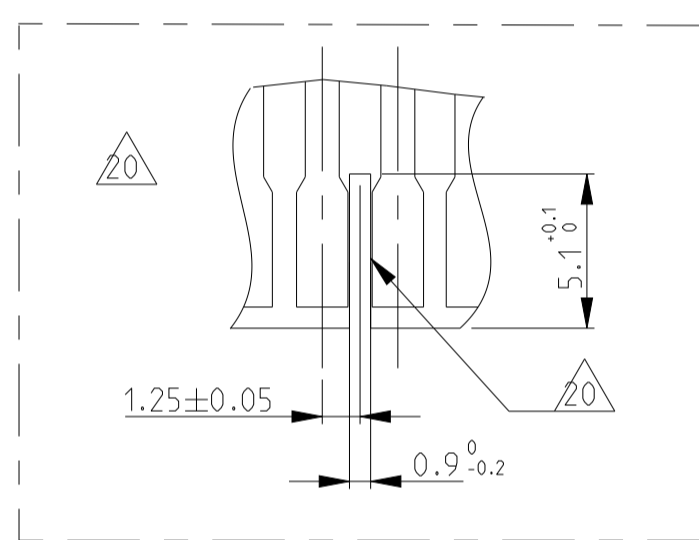
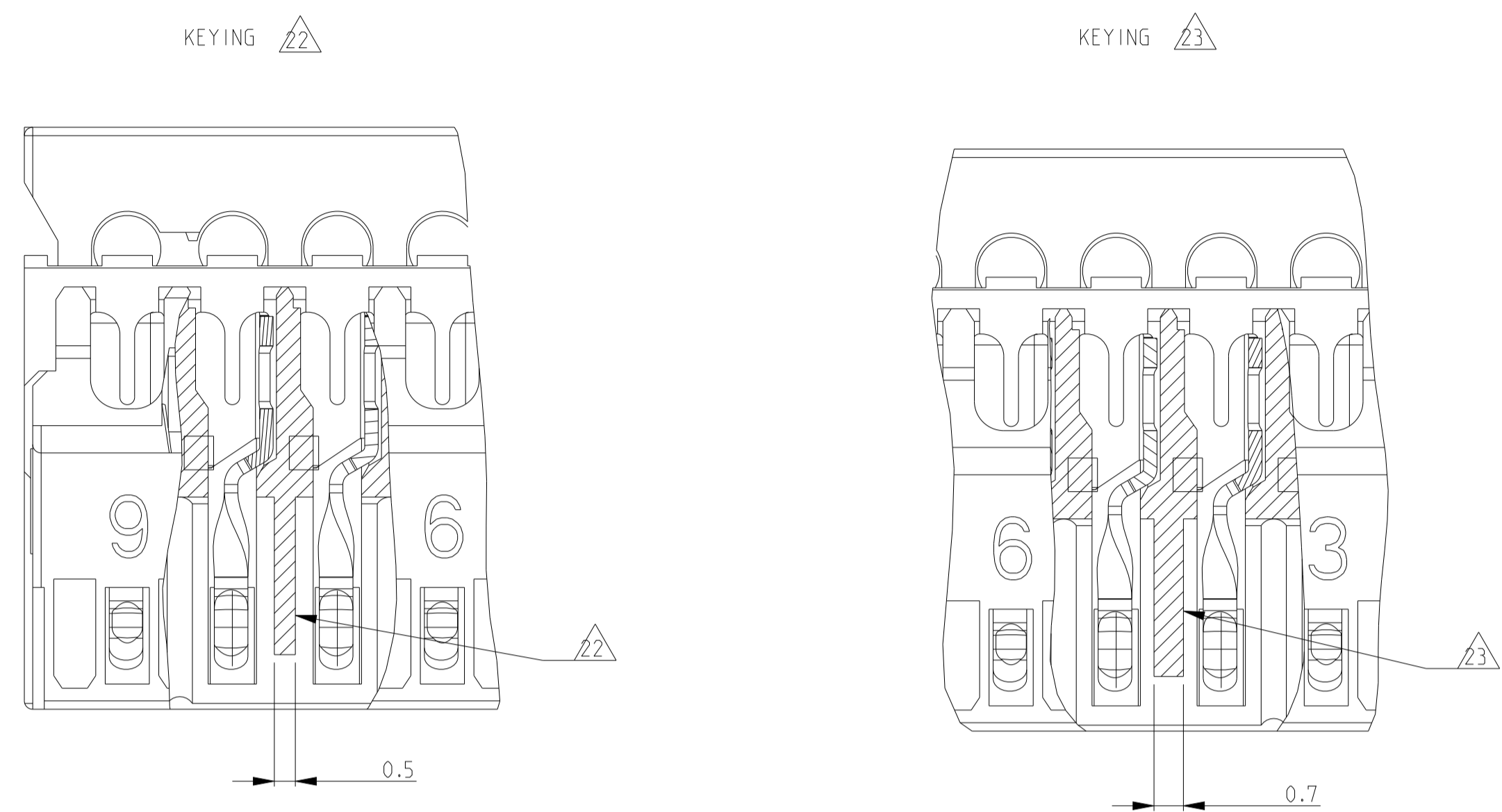


OTHER NOTE SEE SHEET 3 OF 3.

THIS DRAWING IS A CONTROLLED DOCUMENT.		OWN: H. Karabiyik 24MAY2002	 TE Connectivity
DIMENSIONS: mm		CHK: B. Schnaubelt 24MAY2002	
TOLERANCES UNLESS OTHERWISE SPECIFIED:		APPV: T. Klenner 24MAY2002	
0 PLC ±0.2 1 PLC ±0.2 2 PLC ±0.2 3 PLC ±0.2 4 PLC ±0.2 ANGLES ±°		NAME: AMP DUOPLUG 2.5 MARK II FEMALE CONNECTOR 3-20 POSITION SELECTIVE LOADED	
MATERIAL: -	FINISH: -	PRODUCT SPEC: 108-18785	RESTRICTED TO: -
Customer Drawing		APPLICATION SPEC: 114-18467	SIZE: A1
		WEIGHT: -	CAGE CODE: 00779
		SCALE: 10:1	DRAWING NO: C=1534798
		SHEET: 1 OF 3	REV: U64



LOC	DIST	REVISIONS			
P	LTN	DESCRIPTION	DATE	DWN	APVD
rev_sym_1	1567	Defin 1	rev_date_1	rev_dwn_1	rev_appr_1
rev_sym_2	rev_desc_2		rev_date_2	rev_dwn_2	rev_appr_2
rev_sym_3	rev_desc_3		rev_date_3	rev_dwn_3	rev_appr_3
rev_sym_4	rev_desc_4		rev_date_4	rev_dwn_4	rev_appr_4



- 23 KEYING, SPECIAL THICK. BETWEEN POSITION
- 22 KEYING, SPECIAL THIN. BETWEEN POSITION
- 21 SLOT FOR KEYING SPECIAL. BETWEEN POSITION
- 20 RECOMMENDED PCB CUTOFF DIMENSION FOR THE PN X-2304527-Y AND X-2304528-Y

GWEPT 750°C NO FLAME & UL94-VO, SILVER PLATED VERSION																														
Blue															X	0	X	3	5	9.9						5-2369989-3	4-2369989-3			
Color Code	20	19	18	17	16	15	14	13	12	11	10	9	8	7	6	5	4	3	2	1	POS. Polzahl	DIM A	DIM B	KEYING	KEYING	KEYING	KEYING	PN Bestell-Nr.		
KAMMERBESTUECKUNG (CAVITIES LOADED)															SEE TABLE siehe Tabelle										CONTACT/Kontakt		CuSn		SILVERED	
KAMMERBESTUECKUNG (CAVITIES LOADED)															HOUSING/Federleistengeh.		HIGH TEMP PLASTIC		NATUR/Natur											
KAMMERBESTUECKUNG (CAVITIES LOADED)															DESCRIPTION Beschreibung		MATERIAL		COLOUR/FINISH Farbe/Oberflaeche											

PA GF, GWEPT 750°C NO FLAME & UL94-VO, TIN PLATED VERSION																																							
Blue															X	0	X	0	X	0	X	0	X	0	X	0	X	0	X	13	30	34.9						1-2304528-3	2304528-3
															X	X	0	X	0	X	0	X	0	X	0	X	0	X	12	27.5	32.4						2304528-2	3-2304528-1	
Orange															X	X	0	X	0	X	0	X	0	X	0	X	0	X	11	25	29.9						2-2304528-1	1-2304528-1	
Green															X	0	X	0	X	0	X	0	X	0	X	0	X									2304528-1	2-2304528-0		
															X	X	X	0	X	0	X	0	X	0	X	0	X	10	22.5	27.4						1-2304528-0	4-2304527-9		
GREEN															X	0	X	0	X	0	X	0	X	0	X	0	X	9	20	24.9						3-2304527-9	2-2304527-9		
Black															X	0	X	0	X	0	X	0	X	0	X	0	X									1-2304527-9	2304527-9		
Blue															X	X	X	X	X	X	X	X	X	X	X	X	X									2304527-9	4-2304527-7		
															X	X	X	0	X	X	X	X	X	X	X	X	X	7	15	19.9						3-2304527-7	2-2304527-7		
Black															X	X	X	X	0	X	X	X	X	X	X	X	X									1-2304527-7	2304527-7		
Green															X	0	X	0	X	0	X	0	X	0	X	0	X									2304527-7	7-2304527-6		
Blue															X	0	X	0	X	0	X	0	X	0	X	0	X	6	12.5	17.4						6-2304527-6	5-2304527-6		
Red															0	0	X	X	X	X	X	X	X	X	X	X	X									4-2304527-6	3-2304527-6		
Red															X	0	X	X	0	X	X	X	X	X	X	X	X									2-2304527-6	1-2304527-6		
Red															X	0	X	X	0	X	X	X	X	X	X	X	X									2304527-6	4-2304527-5		
Red															X	X	X	0	X	X	X	X	X	X	X	X	X	5	10	14.9	3/4					8-2304527-5	3-2304527-5		
Green															X	0	0	0	X	X	X	X	X	X	X	X	X									2-2304527-5	1-2304527-5		
Green															X	0	X	0	X	X	X	X	X	X	X	X	X									2304527-5	2304527-4		
Black															X	X	0	0										4	7.5	12.4						7-2304527-3	6-2304527-3		
Red															X	0	X	X													2/3					7-2304527-3	6-2304527-3		
Red															X	0	X	X													1/2					5-2304527-3	4-2304527-3		
Blue															X	0	X	X													2/3					4-2304527-3	3-2304527-3		
Black															X	0	X	X										3	5	9.9						3-2304527-3	2-2304527-3		
Red															X	0	X	X													1/2					1-2304527-3	2-2304527-3		
Brown															X	0	X	X													2/3					1-2304527-3	2304527-3		
Orange															X	0	X	X																					
Color Code	20	19	18	17	16	15	14	13	12	11	10	9	8	7	6	5	4	3	2	1	POS. Polzahl	DIM A	DIM B	KEYING	KEYING	KEYING	KEYING	PN Bestell-Nr.											
KAMMERBESTUECKUNG (CAVITIES LOADED)															SEE TABLE siehe Tabelle		CONTACT/Kontakt		CuSn		TINNED/verzinkt																		
KAMMERBESTUECKUNG (CAVITIES LOADED)															HOUSING/Federleistengeh.		HIGH TEMP PLASTIC		NATUR/Natur																				
KAMMERBESTUECKUNG (CAVITIES LOADED)															DESCRIPTION Beschreibung		MATERIAL		COLOUR/FINISH Farbe/Oberflaeche																				

THIS DRAWING IS A CONTROLLED DOCUMENT. DIMENSIONS: mm. TOLERANCES UNLESS OTHERWISE SPECIFIED: 0 PLC ±0.2, 1 PLC ±0.2, 2 PLC ±0.2, 3 PLC ±0.2, 4 PLC ±0.2, ANGLES ±°. MATERIAL: -. FINISH: -. DWN: H. Karabiyik, 24MAY2002. CHK: B. Schnaubelt, 24MAY2002. APVD: T. Klenner, 24MAY2002. PRODUCT SPEC: 108-18785. APPLICATION SPEC: 116-18467. WEIGHT: -. Customer Drawing. NAME: AMP DUOPLUG 2.5 MARK II FEMALE CONNECTOR 3-20 POSITION SELECTIVE LOADED. SIZE: A1. CAGE CODE: 00779. DRAWING NO: 1534798. RESTRICTED TO: -. SCALE: 10:1. SHEET: 3 OF 3. REV: 064.