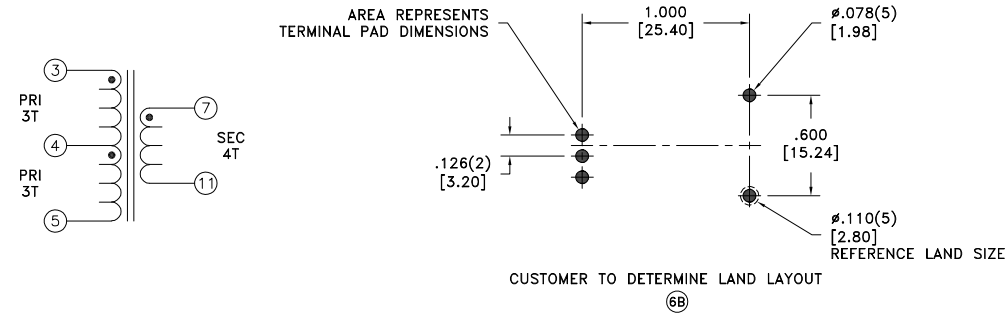
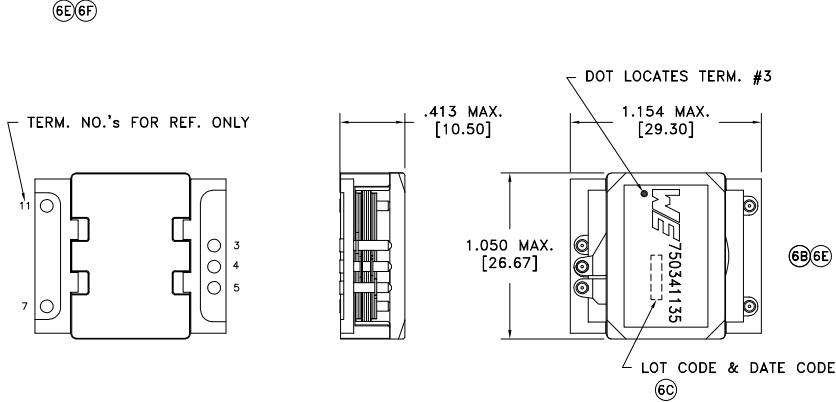


CUSTOMER TERMINAL	RoHS	LEAD(Pb)-FREE
Sn100%	Yes	Yes



ELECTRICAL SPECIFICATIONS @ 25°C unless otherwise noted:

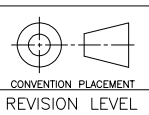
PARAMETER	TEST CONDITIONS	VALUE
D.C. RESISTANCE	3-4 @20°C	3.0 mOhms max.
D.C. RESISTANCE	4-5 @20°C	3.0 mOhms max.
D.C. RESISTANCE	7-11 @20°C	3.5 mOhms max.
INDUCTANCE	3-5 100kHz, 100mVAC, Ls	145.0uH min.
LEAKAGE INDUCTANCE	3-5 tie(7+11), 100kHz, 100mVAC, Ls	250nH max.
DIELECTRIC	3-7 2250VDC, 1 second	-
URNS RATIO	(7-11):(3-4)	1.333:1, ±1%
URNS RATIO	(7-11):(4-5)	1.333:1, ±1%



GENERAL SPECIFICATIONS:

OPERATING TEMPERATURE RANGE: -40°C to +125°C including temp rise.

REV.	DATE	Packaging Specifications
6F	4/20	Method: Tape & Reel
6E	5/14	PKG-0793
6D	4/13	www.we-online.com/midcom
6C	11/12	SEE REVISION SHEET FOR REVISION LEVEL



Tolerances unless otherwise specified:  
 Angles: ±1°      Decimals: ±.005 [.13]  
 Fractions: ±1/64      Footprint: ±.005 [.13]

This drawing is dual dimensioned. Dimensions in brackets are in millimeters.

DRAWING TITLE  
**TRANSFORMER**

eiSos p/n: 750341135



PART NO.  
**750341135**

SPECIFICATION SHEET 1 OF 1