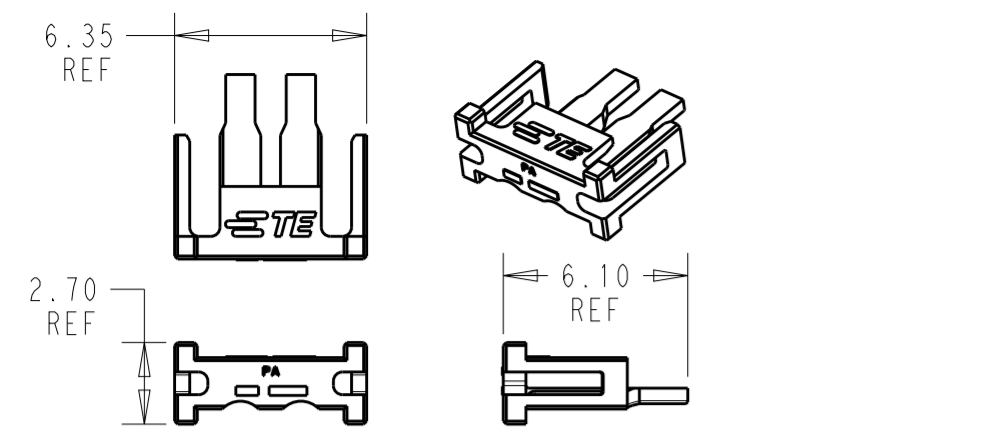
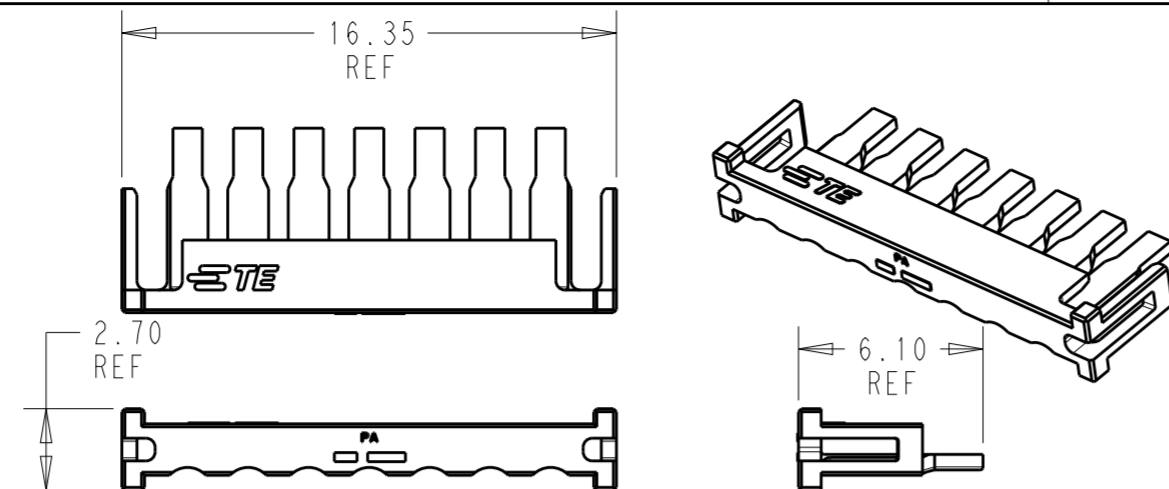


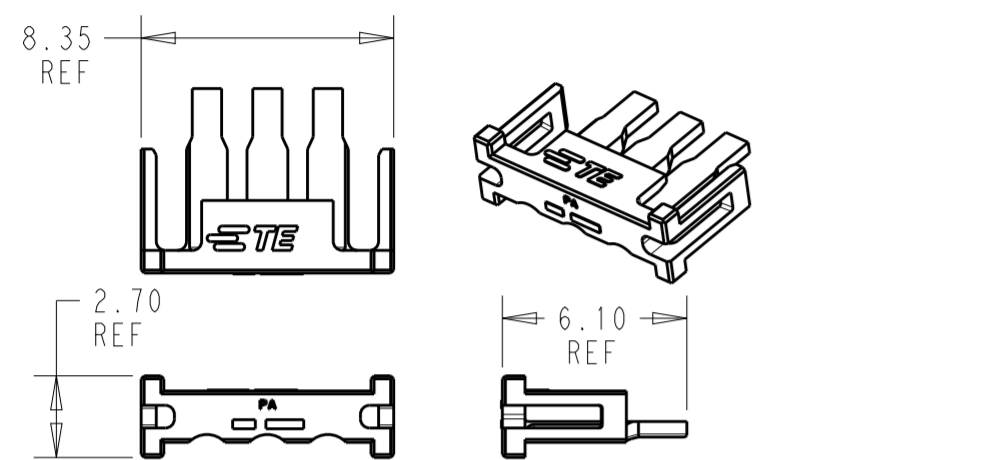
P	LTR	DESCRIPTION	DATE	DWN	APVD
	A	RELEASED PER ECO-20-008335	15JUN2020	BKW	SW



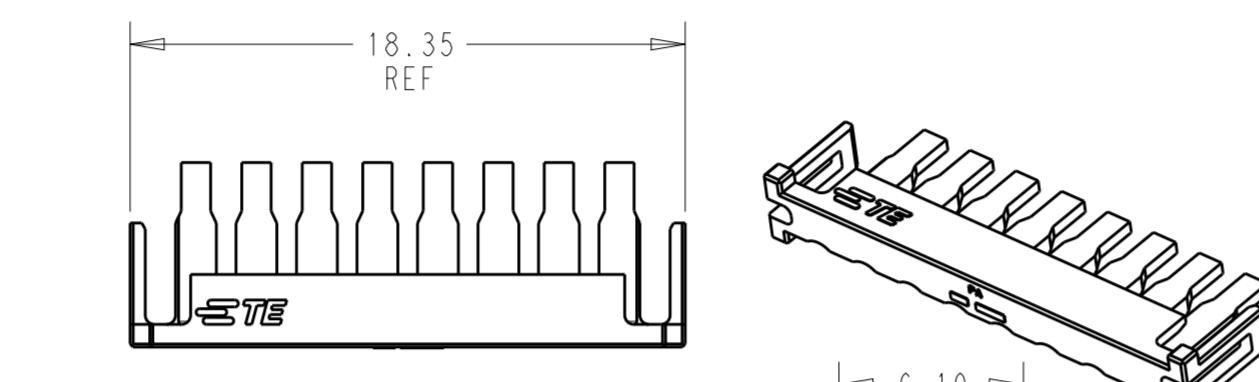
1\*2 POSITION



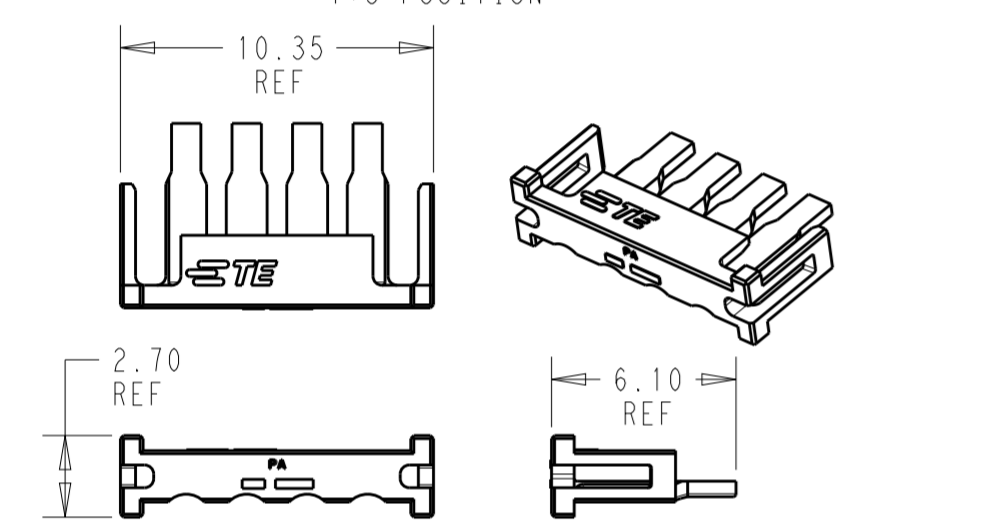
1\*7 POSITION



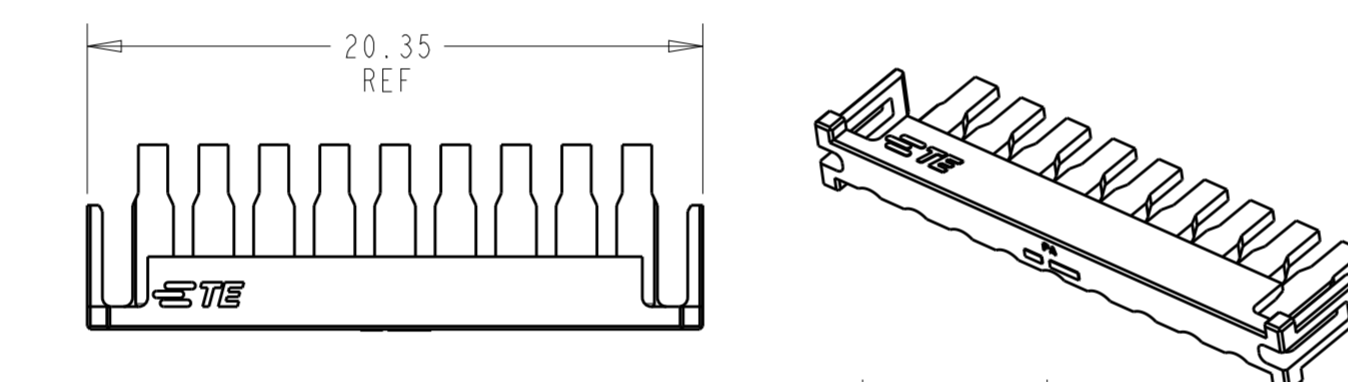
1\*3 POSITION



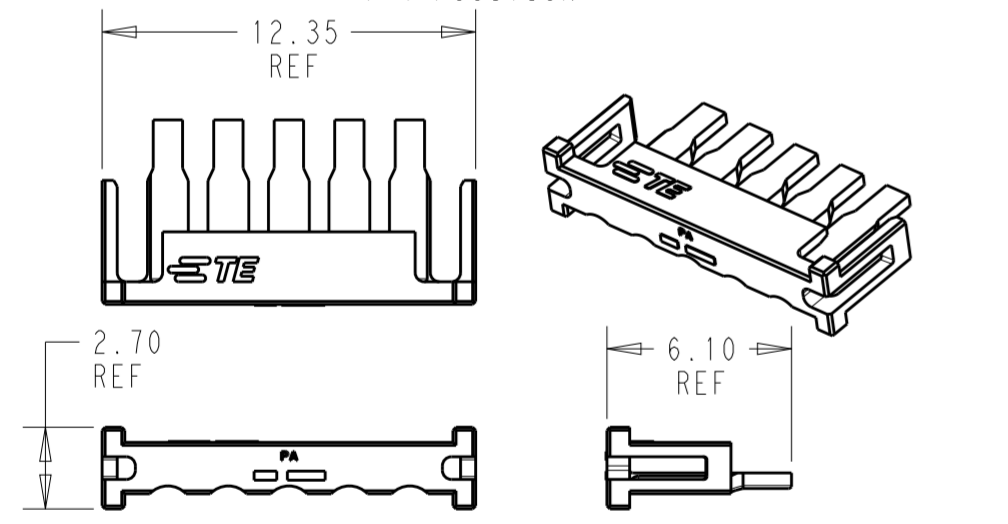
1\*8 POSITION



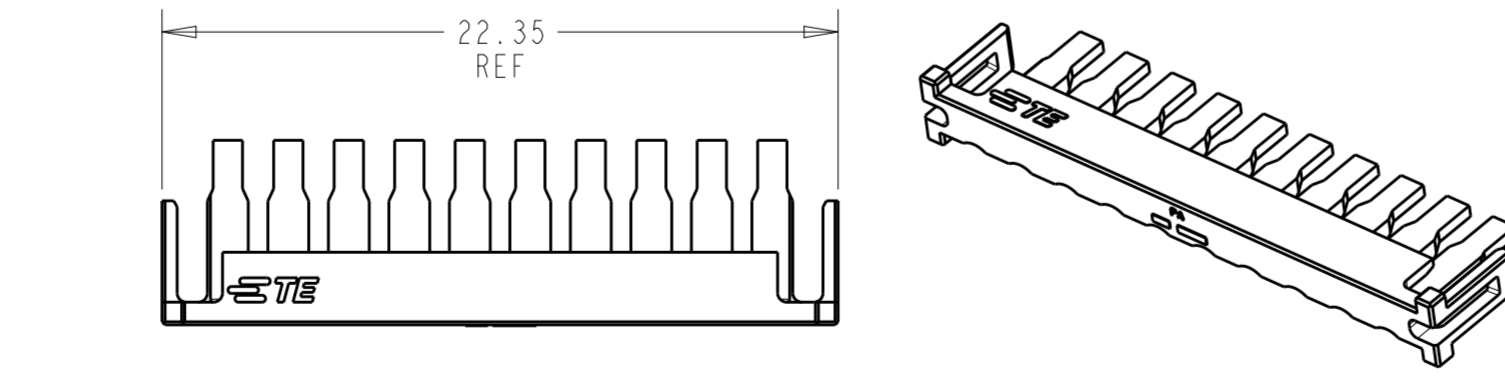
1\*4 POSITION



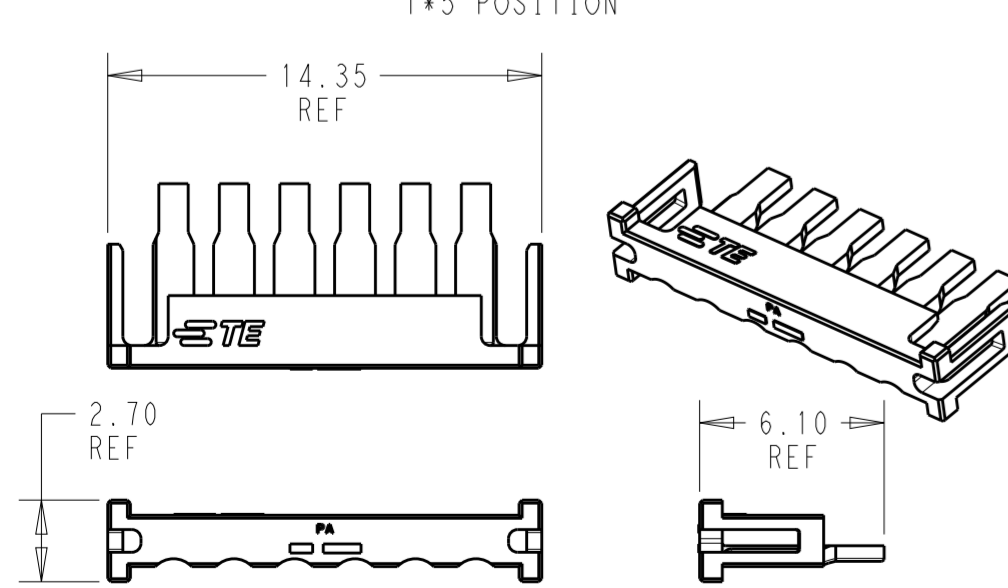
1\*9 POSITION



1\*5 POSITION



1\*10 POSITION



1\*6 POSITION

- 1. MATERIAL: PA  
COLOR - BLACK
- 2. MATING CONNECTOR P/N'S:  
PLUG HSG - \*-2232826-\*
- 3. THIS PRODUCT HAS NOT COMPLETED QUALIFICATION TESTING.

1*10	1-2357686-0
1*9	2357686-9
1*8	2357686-8
1*7	2357686-7
1*6	2357686-6
1*5	2357686-5
1*4	2357686-4
1*3	2357686-3
1*2	2357686-2
POSITIONS	PART NUMBER

THIS DRAWING IS A CONTROLLED DOCUMENT.		DWN B. WEAVER 20JUN2019	<b>STE</b> TE Connectivity	
DIMENSIONS: mm		CHK C. YI 20JUN2019		
TOLERANCES UNLESS OTHERWISE SPECIFIED:		APVD T. BENCHOFF 20JUN2019	NAME TPA, SGI 2.0	
0 PLC ±		PRODUCT SPEC	-	
1 PLC ±		APPLICATION SPEC	-	
2 PLC ±		WEIGHT	-	
3 PLC ±		CUSTOMER DRAWING	-	
4 PLC ±		SCALE 4:1	SHEET 1 OF 1	
ANGLES ±		RESTRICTED TO	-	
FINISH -		SIZE A2	CAGE CODE 00779	DRAWING NO. C-2357686
MATERIAL 1		REV A		