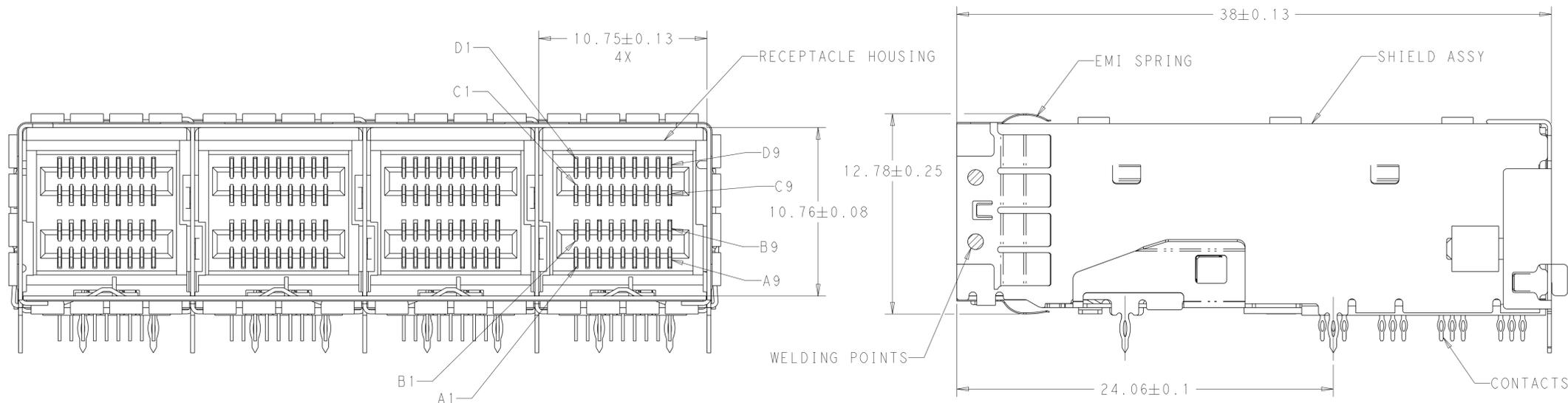
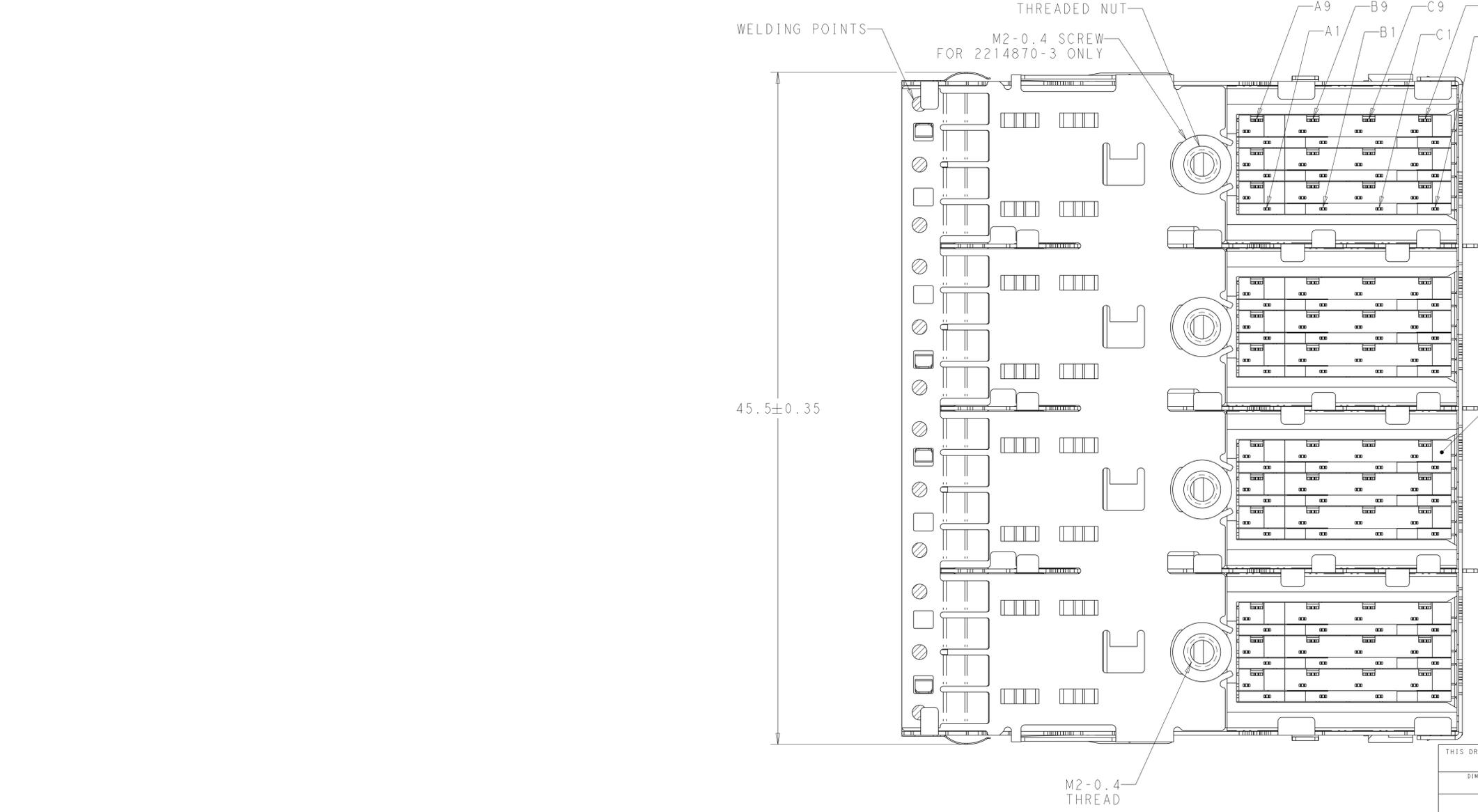


LOC		DIST		REVISIONS			
P	LTN	DESCRIPTION	DATE	DMN	APVD		
A		REVISED PER ECO-14-018497	17DEC2014	AP	DG		
B		REVISED PER ECO-15-013876	19JUN2016	JY	SH		
C		REVISED PER ECN-22-157198	02JUN2022	AK	SZ		



1. MATERIALS  
 RECEPTACLE HOUSING, LCP, BLACK, UL94V-0 RATED  
 SHIELD ASSY: NICKEL SILVER COPPER ALLOY  
 CONTACTS: COPPER ALLOY  
 EMI SPRING: COPPER ALLOY  
 THREADED NUT: BRASS  
 CHICKLETS: LCP, BLACK, UL 94V-0 RATED  
 SCREW: SWCH18A, CARBON STEEL.
2. FINISH  
 EMI SPRING: TIN PLATE OVER NICKEL PLATE.  
 NON-PLATED EDGES PERMISSABLE.  
 THREADED NUT: NICKEL PLATE.
3. CONTACT FINISH: CONFORMS TO THE REQUIREMENTS OF TE PRODUCT SPECIFICATION, 108-2462. BASED ON EIA/ECA-364-1000.01A. (CONTROLLED ENVIRONMENT APPLICATIONS) ON MATING END. TIN PLATED ON PCB TAIL.
4. THREAD LENGTH OF FASTENER = PCB THICKNESS+1.45 MAX.
5. RECOMMENDED TRACE KEEP OUT ZONE.
6. KIT PACKAGE 2214870-3 COMES W/ M2-0.4 SCREW (QTY 4X)+ 2214870-1 (QTY 1X). NO NEED TO ASSEMBLE SCREW, IT SHOULD BE PACKAGED SEPARATELY.



2214870-3
2214870-1
PART NUMBER

THIS DRAWING IS A CONTROLLED DOCUMENT.

DMN: J. SECHRIST 26MAR2012	NAME: J. SECHRIST	DATE: 26MAR2012
CHK: J. SECHRIST 26MAR2012	APVD: -	
PRODUCT SPEC: 108-2462		
APPLICATION SPEC: 114-13316		
WEIGHT: -		
MATERIAL: -		
FINISH: -		

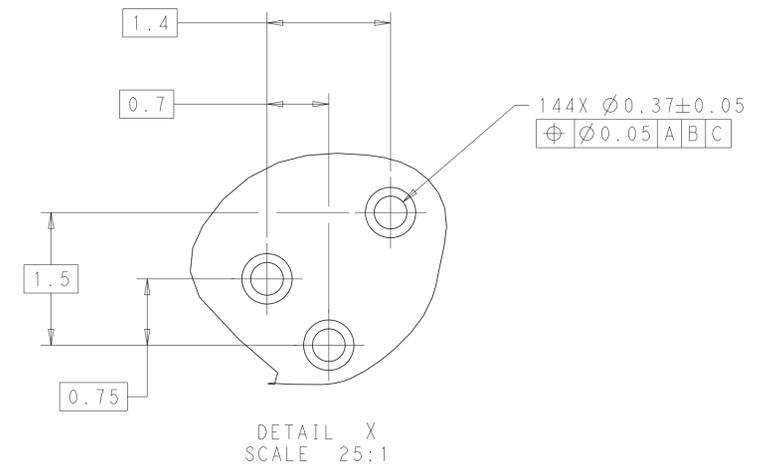
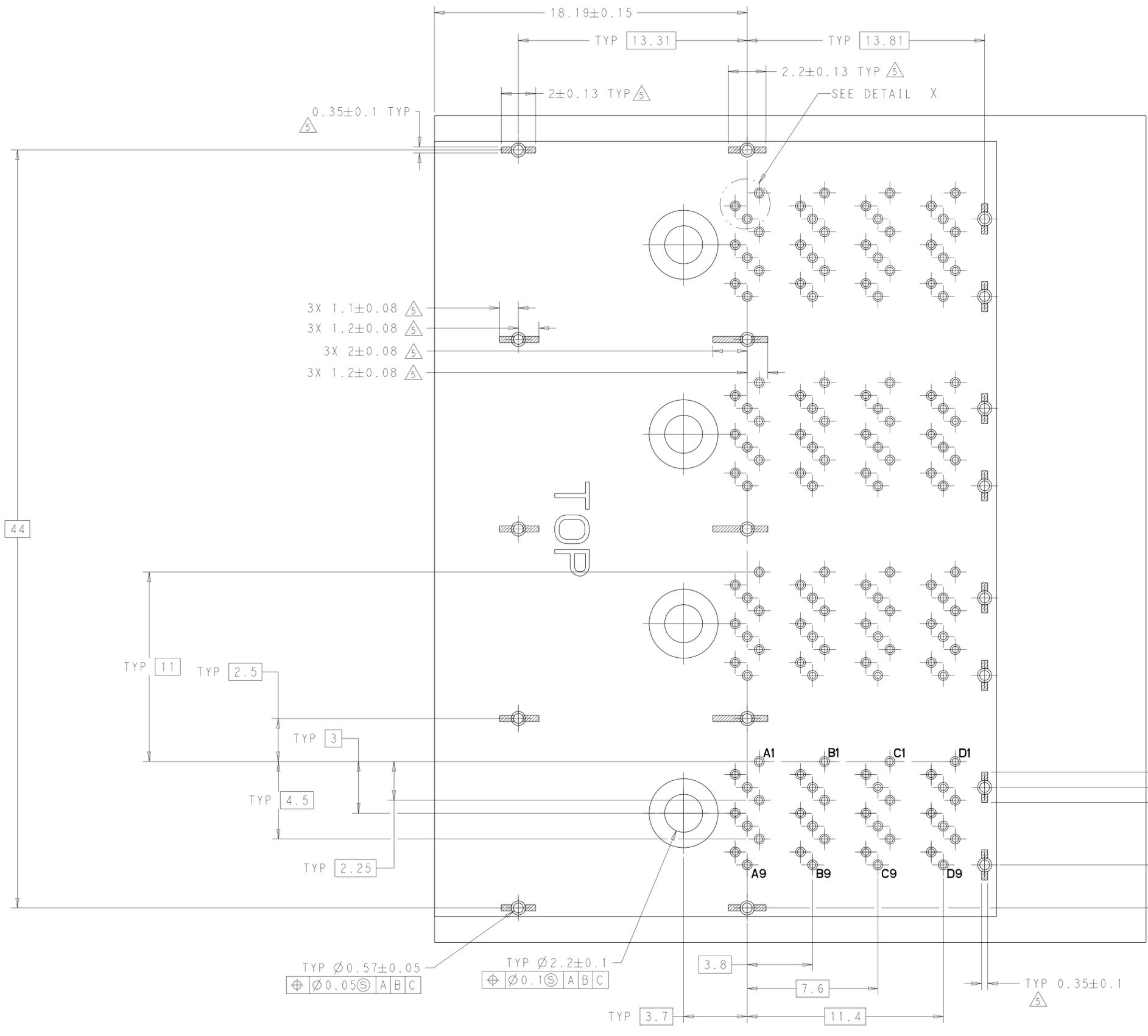
TE Connectivity

RECEPTACLE ASSEMBLY, MINI-SAS HD, 4X

SIZE: A1 CAGE CODE: 100779 DRAWING NO: 2214870 RESTRICTED TO: -

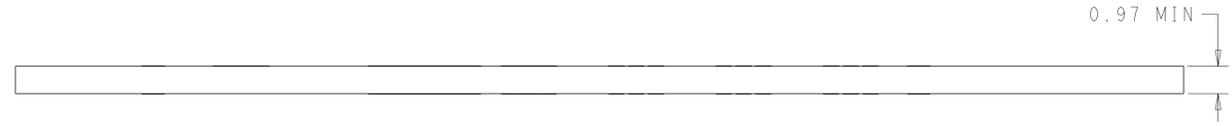
CUSTOMER DRAWING SCALE: 6:1 SHEET: 1 OF 3 REV: C

LOC		DIST		REVISIONS			
P	LTN	DESCRIPTION	DATE	DMN	APVD		
-	-	SEE SHEET 1	-	-	-	-	-



44

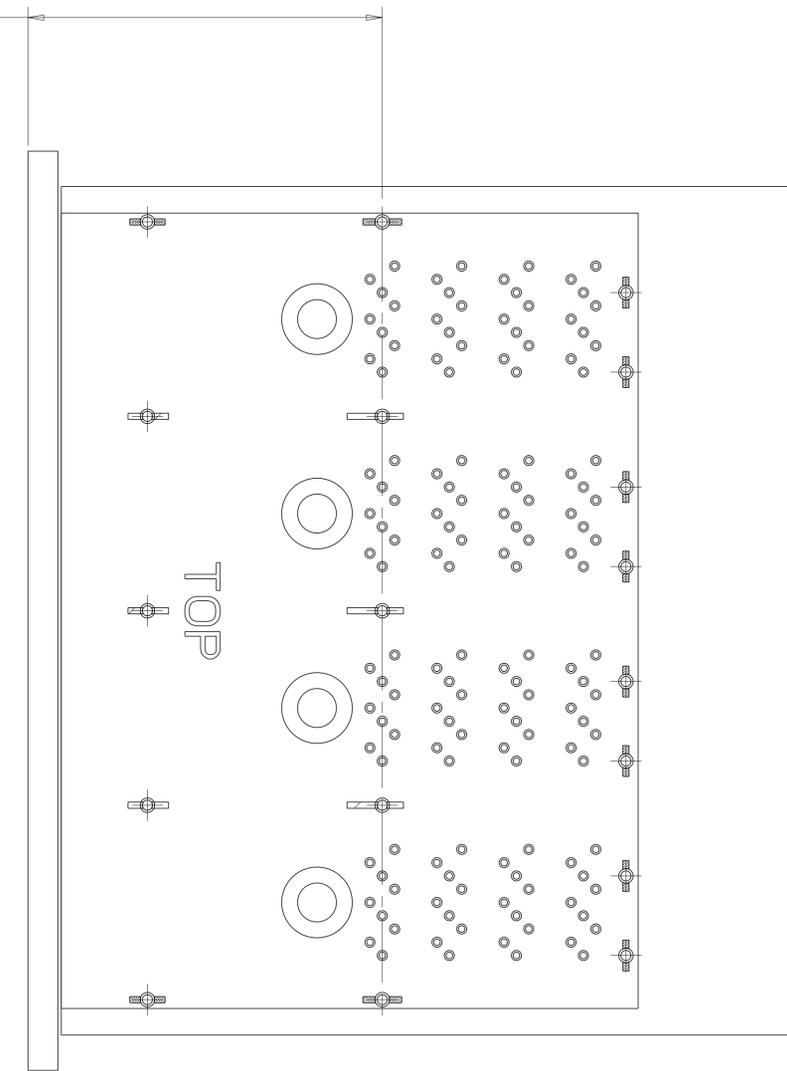
RECOMMENDED PCB LAYOUT



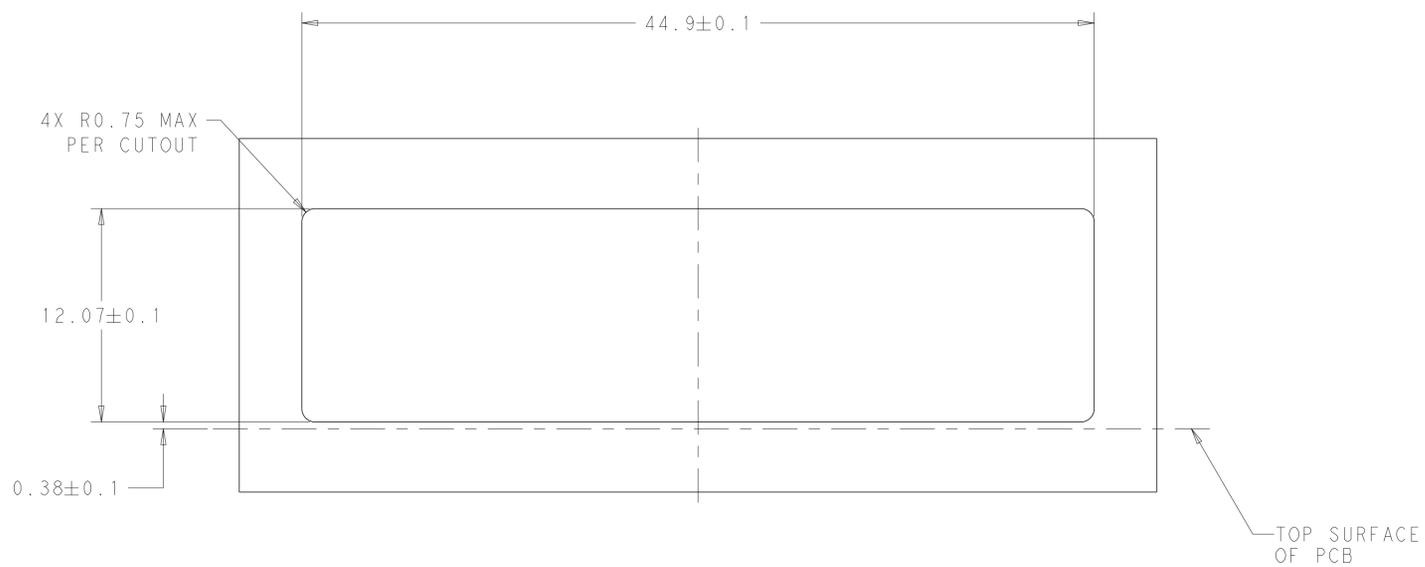
THIS DRAWING IS A CONTROLLED DOCUMENT.		DMN J. SECHRIST 26MAR2012	TE Connectivity RECEPTACLE ASSEMBLY, MINI-SAS HD, 4X
DIMENSIONS: mm		CHK J. SECHRIST 26MAR2012	
TOLERANCES UNLESS OTHERWISE SPECIFIED:		APVD -	NAME
0 PLC ±	1 PLC ±	PRODUCT SPEC	SIZE CAGE CODE DRAWING NO
2 PLC ±	3 PLC ±	108-2462	RESTRICTED TO
4 PLC ±	5 PLC ±	APPLICATION SPEC	A100779C=2214870
ANGLES ±	FINISH ±	114-13316	SCALE 6:1 SHEET 2 OF 3 REV C
MATERIAL		WEIGHT	CUSTOMER DRAWING

LOC	DIST	REVISIONS			
P	LTH	DESCRIPTION	DATE	DWN	APVD
-	-	SEE SHEET 1	-	-	-

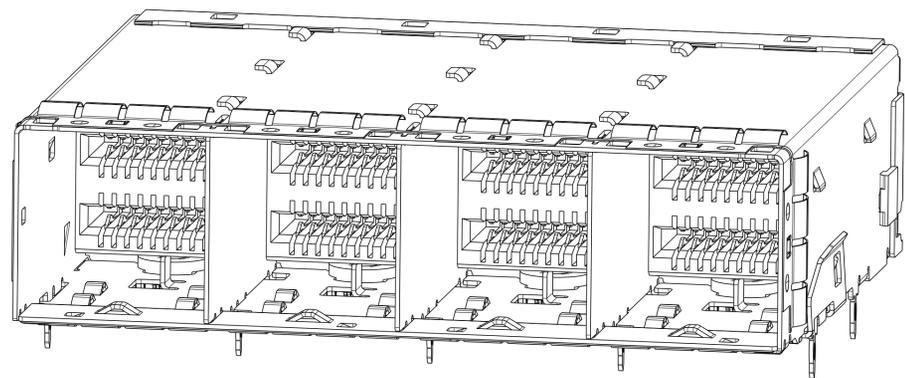
19 PCI APPLICATION  
 20.08 ALL OTHER APPLICATIONS



PANEL/PCB ASSEMBLY  
 SCALE=5:1



RECOMMENDED I/O PANEL CUTOUT  
 SCALE=5:1



THIS DRAWING IS A CONTROLLED DOCUMENT.		DWN	J. SECHRIST	26MAR2012	
		CHK	J. SECHRIST	26MAR2012	
DIMENSIONS:		TOLERANCES UNLESS OTHERWISE SPECIFIED:		NAME	
mm	0 PLC ±	108-2462		RECEPTACLE ASSEMBLY, MINI-SAS HD, 4X	
	1 PLC ±	APPLICATION SPEC		SIZE	
	2 PLC ±	114-13316		CAGE CODE	
	3 PLC ±	WEIGHT		DRAWING NO	
	4 PLC ±	A100779		C=2214870	
	ANGLES ±	CUSTOMER DRAWING		RESTRICTED TO	
	FINISH	SCALE 5:1		SHEET 3 OF 3	
				REV C	