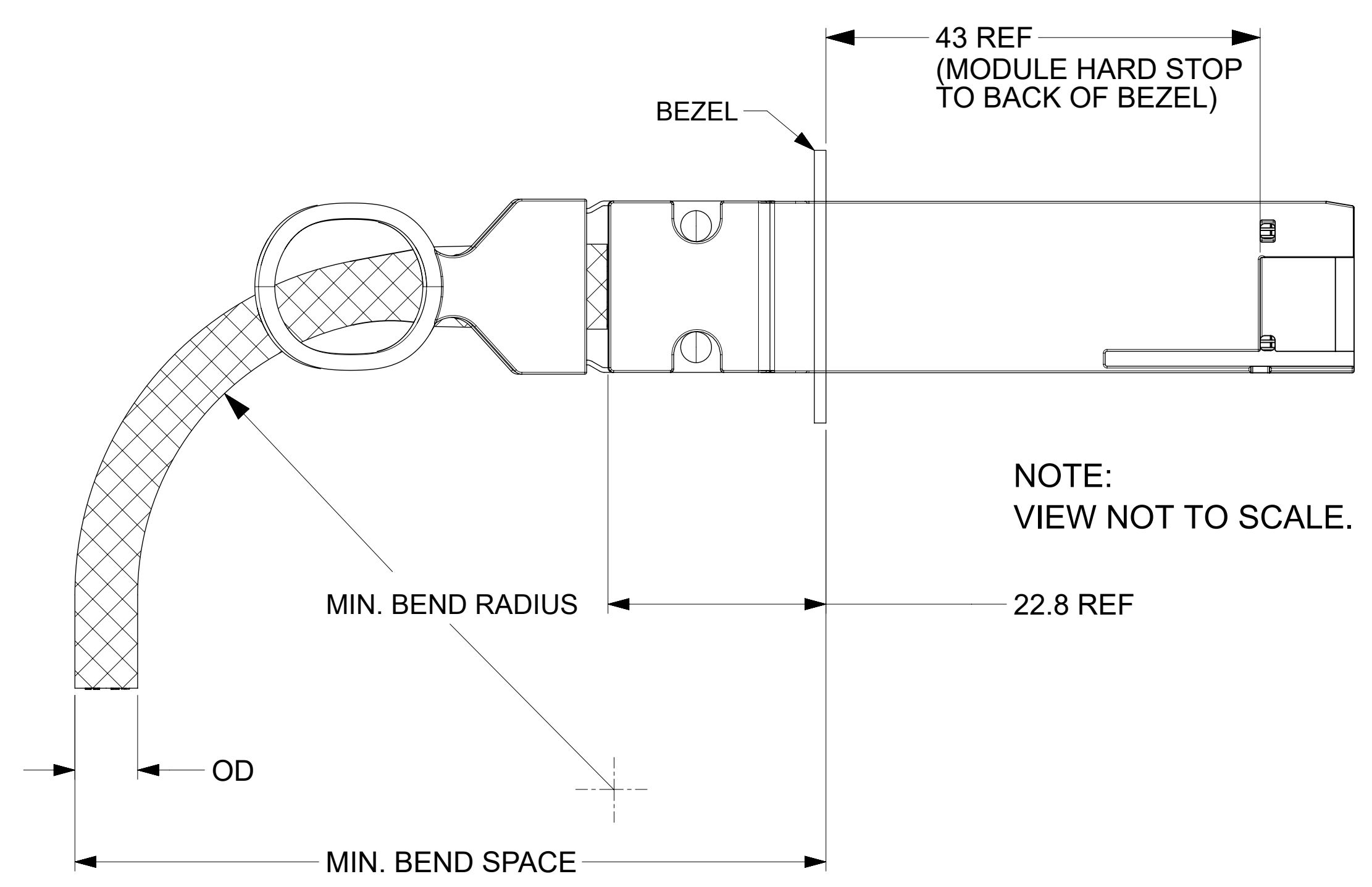


- NOTES:**
- CABLE LENGTH DEPENDS ON WIRE GAUGE, DATA RATE, AND HOST BOARD DRIVER CAPABILITIES
 - MATERIALS:**
 - BACKSHELLS - ZINC DIE CAST WITH BRIGHT NICKEL PLATING
 - DELATCH - STAINLESS STEEL WITH OVERMOLDED NYLON
 - RIVETS - STAINLESS STEEL
 - IMPEDANCE - 100 OHMS DIFFERENTIAL
 - CABLE IS UL RECOGNIZED (TBD)
 - EEPROM MAP AVAILABLE UPON REQUEST
 - RoHS COMPLIANT, NO EXEMPTIONS

THIS DRAWING CONTAINS INFORMATION THAT IS PROPRIETARY TO MOLEX ELECTRONIC TECHNOLOGIES, LLC AND SHOULD NOT BE USED WITHOUT WRITTEN PERMISSION											
DIMENSION UNITS		SCALE		CURRENT REV DESC: SHEET 1 : VIEWS UPDATED							
mm		2:1		molex QSFP-DD TO QSFP-DD 25G PASSIVE CABLE ASY PRODUCT CUSTOMER DRAWING DOCUMENT NUMBER: 2063141005 DOC TYPE: PSD DOC PART: 000 REVISION: C EC NO: 650496 DRWN: ADITHK 2020/12/01 CHK'D: SKAMATHN 2020/12/02 APPR: KNAGANNA 2020/12/02 INITIAL REVISION: DRWN: SRATKOVIC 2017/12/18 APPR: ADTUCKER 2018/01/05 DRAFT WHERE APPLICABLE MUST REMAIN WITHIN DIMENSIONS THIRD ANGLE PROJECTION DRAWING: D-SIZE SERIES: 206314 MATERIAL NUMBER: SEE P/N TABLE CUSTOMER: GENERAL MARKET SHEET NUMBER: 1 OF 3							
GENERAL TOLERANCES (UNLESS SPECIFIED)											
ANGULAR TOL ± 5.0°											
4 PLACES ±											
3 PLACES ±											
2 PLACES ± 0.13											
1 PLACE ± 0.25											
0 PLACES ±											

DOCUMENT STATUS	P1	RELEASE DATE	2020/12/02	11:33:51
-----------------	----	--------------	------------	----------

CABLE BEND RADIUS



NOTE:
VIEW NOT TO SCALE.

CABLE AWG	OD (mm)	MIN BEND RADIUS (mm)	MIN BEND SPACE (mm)
28	(11)	(55)	(89)
30	(9.4)	(47)	(79)

! MINIMUM BEND RADIUS PENDING QUALIFICATION. NUMBERS ABOVE ARE ESTIMATES AND SUBJECT TO CHANGE.

LOW SPEED SIGNALS P1 & P2

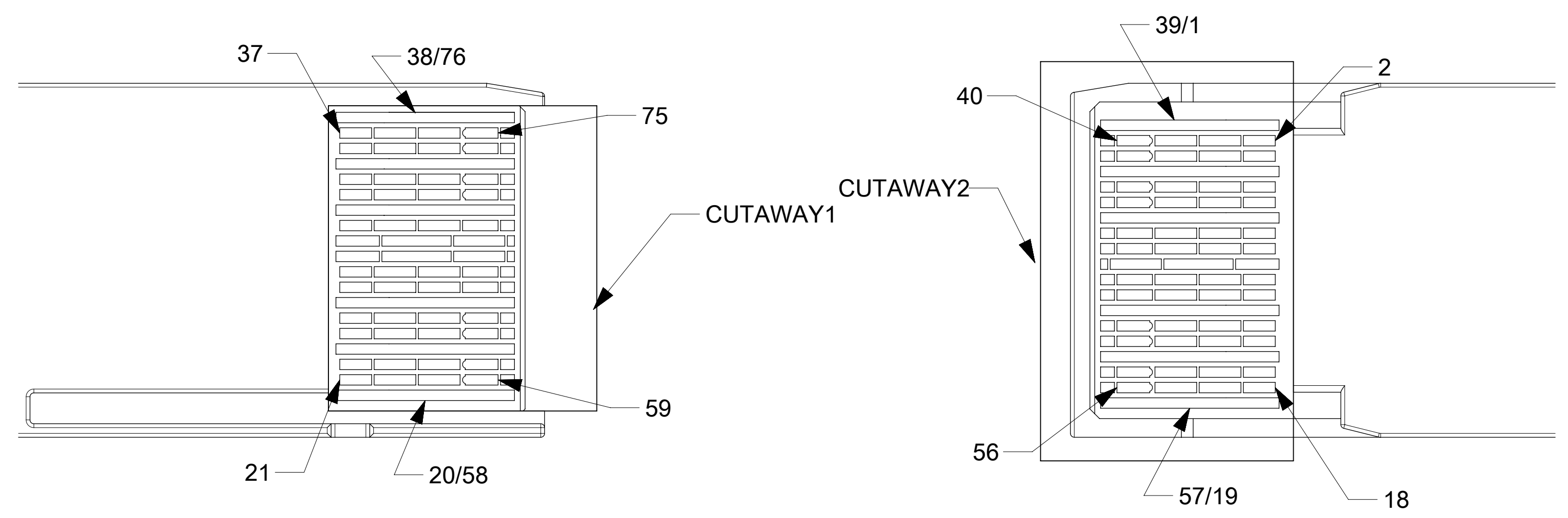
PAD	SIGNAL
8	MODSELL
9	RESETL
10	VCCRFX
11	SCL
12	SDA
27	MODPRSL
28	INTL
29	VCCTX
30	VCC1
31	INIT_MODE
46	OPEN
47	OPEN
48	OPEN
49	OPEN
50	OPEN
65	OPEN
66	OPEN
67	OPEN
68	OPEN
69	OPEN

WIRING DIAGRAM

P1 END		P2 END	
Pad	Signal	Pad	Signal
1	GND	20	GND
2	TX2n	21	RX2n
3	TX2p	22	RX2p
4	GND	23	GND
5	TX4n	24	RX4n
6	TX4p	25	RX4p
7	GND	26	GND
13	GND	32	GND
14	RX3p	33	TX3p
15	RX3n	34	TX3n
16	GND	35	GND
17	RX1p	36	TX1p
18	RX1n	37	TX1n
19	GND	38	GND
20	GND	1	GND
21	RX2n	2	TX2n
22	RX2p	3	TX2p
23	GND	4	GND
24	RX4n	5	TX4n
25	RX4p	6	TX4p
26	GND	7	GND
32	GND	13	GND
33	TX3p	14	RX3p
34	TX3n	15	RX3n
35	GND	16	GND
36	TX1p	17	RX1p
37	TX1n	18	RX1n
38	GND	19	GND

WIRING DIAGRAM

P1 END		P2 END	
Pad	Signal	Pad	Signal
39	GND	58	GND
40	TX6n	59	RX6n
41	TX6p	60	RX6p
42	GND	61	GND
43	TX8n	62	RX8n
44	TX8p	63	RX8p
45	GND	64	GND
51	GND	70	GND
52	RX7p	71	TX7p
53	RX7n	72	TX7n
54	GND	73	GND
55	RX5p	74	TX5p
56	RX5n	75	TX5n
57	GND	76	GND
58	GND	39	GND
59	RX6n	40	TX6n
60	RX6p	41	TX6p
61	GND	42	GND
62	RX8n	43	TX8n
63	RX8p	44	TX8p
64	GND	45	GND
70	GND	51	GND
71	TX7p	52	RX7p
72	TX7n	53	RX7n
73	GND	54	GND
74	TX5p	55	RX5p
75	TX5n	56	RX5n
76	GND	57	GND



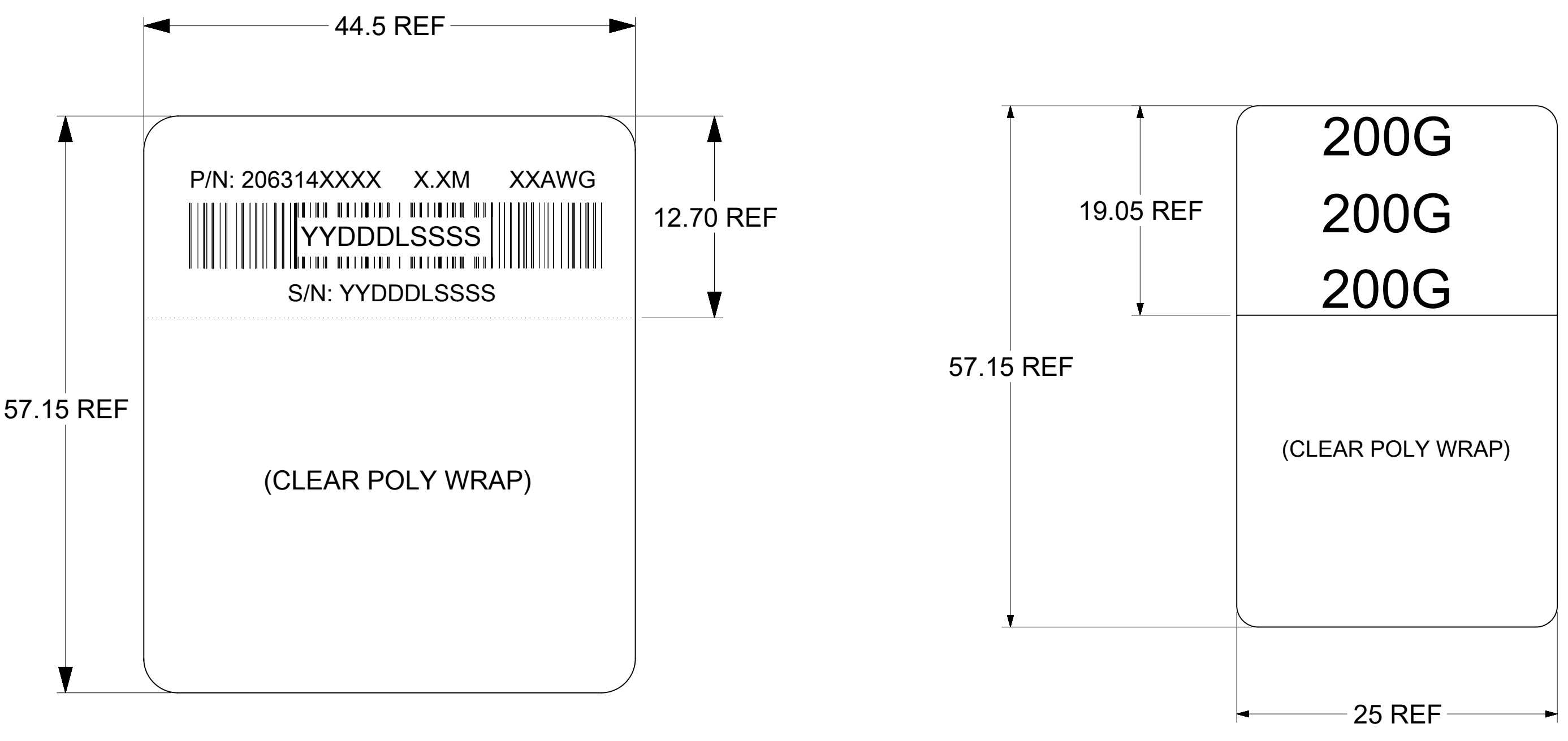
TOP VIEW

BOTTOM VIEW

- NOTES:
- DC BLOCKING CAPS ON RECEIVE SIDE ONLY
 - CABLE COILED AND PACKAGED IN BEST FIT ESD BAG AND SEALED WITH ESD LABEL FOR SHIPPING

THIS DRAWING CONTAINS INFORMATION THAT IS PROPRIETARY TO MOLEX ELECTRONIC TECHNOLOGIES, LLC AND SHOULD NOT BE USED WITHOUT WRITTEN PERMISSION			
DIMENSION UNITS	SCALE	CURRENT REV DESC: SHEET 1 : VIEWS UPDATED	
mm	20:1		
GENERAL TOLERANCES (UNLESS SPECIFIED)			
ANGULAR TOL	± 5.0°		
4 PLACES	±	EC NO: 650496	
3 PLACES	±	DRWN: ADITHK 2020/12/01	
2 PLACES	± 0.13	CHK'D: SKAMATHN 2020/12/02	
1 PLACE	± 0.25	APPR: KNAGANNA 2020/12/02	
0 PLACES	±	INITIAL REVISION:	
DRAFT WHERE APPLICABLE MUST REMAIN WITHIN DIMENSIONS		DRWN: SRATKOVIC 2017/12/18	2018/01/05
THIRD ANGLE PROJECTION		APPR: ADTUCKER	
DRAWING		SERIES	MATERIAL NUMBER
D-SIZE		206314	SEE P/N TABLE
CUSTOMER		GENERAL MARKET	
DOCUMENT NUMBER		2063141005	PSD 000 C
DOC TYPE		000	C
DOC PART		2 OF 3	
REVISION			

LABEL DETAILS



P/N: 206314XXXX - MOLEX PART NUMBER (SEE P/N TABLE)

X.XM - CABLE LENGTH IN METERS (EXAMPLES - 0.5M, 1.0M, 1.5M)

XXAWG - CABLE SIZE IN AWG

S/N: YYDDLSSSS - SERIAL NUMBER
 YY = YEAR, THE LAST 2 DIGITS OF YEAR
 DDD = DAY OF THE YEAR
 L = LOCATION
 1 - USA
 2 - MEXICO
 3 - CHINA
 4 - PHILIPPINES
 SSSS = SERIAL NUMBER (0001-9999)

MOLEX P/N	LENGTH (M)	AWG
2063141005	0.5M +/- 0.05M	30
2063141010	1.0M +/- 0.05M	30
2063141015	1.5M +/- 0.08M	30
2063141020	2.0M +/- 0.08M	30
2063141025	2.5M +/- 0.08M	30
2063141030	3.0M +/- 0.08M	30
2063143005	0.5M +/- 0.05M	28
2063143010	1.0M +/- 0.05M	28
2063143015	1.5M +/- 0.08M	28
2063143020	2.0M +/- 0.08M	28
2063143025	2.5M +/- 0.08M	28
2063143030	3.0M +/- 0.08M	28
2063143035	3.5M +/- 0.08M	28
2063143040	4.0M +/- 0.08M	28

TENTATIVE PROPOSAL
 PENDING ELECTRICAL QUALIFICATION

THIS DRAWING CONTAINS INFORMATION THAT IS PROPRIETARY TO MOLEX ELECTRONIC TECHNOLOGIES, LLC AND SHOULD NOT BE USED WITHOUT WRITTEN PERMISSION											
DIMENSION UNITS		SCALE		CURRENT REV DESC: SHEET 1 : VIEWS UPDATED							
mm		1:1		<p>QSFP-DD TO QSFP-DD 25G PASSIVE CABLE ASY</p> <p>PRODUCT CUSTOMER DRAWING</p>							
GENERAL TOLERANCES (UNLESS SPECIFIED)											
ANGULAR TOL ± 5.0°											
4 PLACES ±											
3 PLACES ±											
DIVISIONAL SYMBOLS				EC NO: 650496				DRWN: ADITHK 2020/12/01			
2 PLACES ± 0.13				CHK'D: SKAMATHN 2020/12/02				APPR: KNAGANNA 2020/12/02			
1 PLACE ± 0.25				INITIAL REVISION:				DRWN: SRATKOVIC 2017/12/18			
0 PLACES ±				APPR: ADTUCKER 2018/01/05				SERIES			
DRAFT WHERE APPLICABLE MUST REMAIN WITHIN DIMENSIONS				THIRD ANGLE PROJECTION		DRAWING		MATERIAL NUMBER		CUSTOMER	
D-SIZE		206314		SEE P/N TABLE		GENERAL MARKET		SHEET NUMBER		3 OF 3	