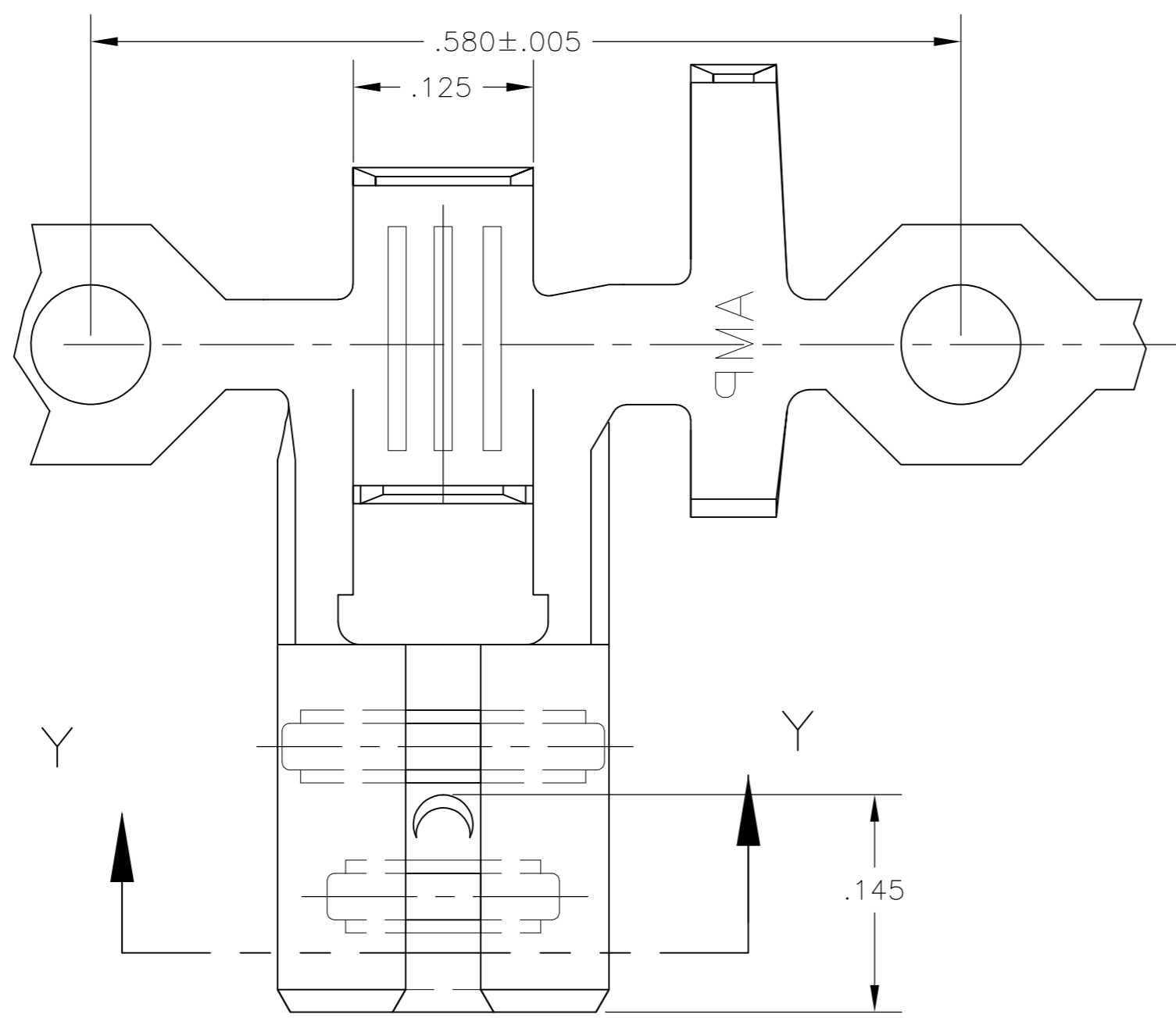
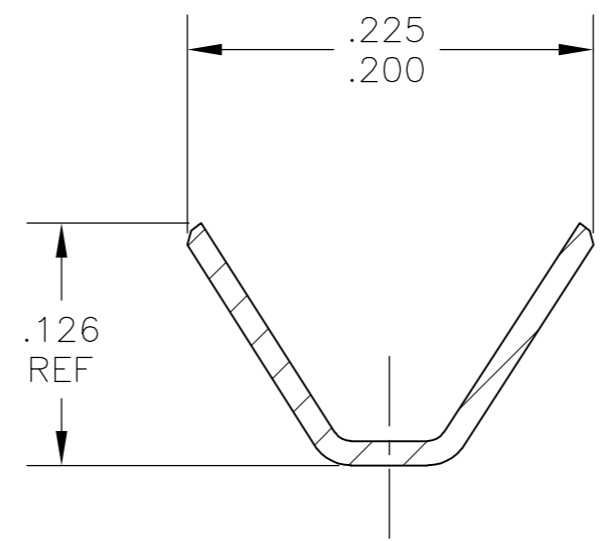


THIS DRAWING IS UNPUBLISHED. RELEASED FOR PUBLICATION
 © COPYRIGHT - By - ALL RIGHTS RESERVED.

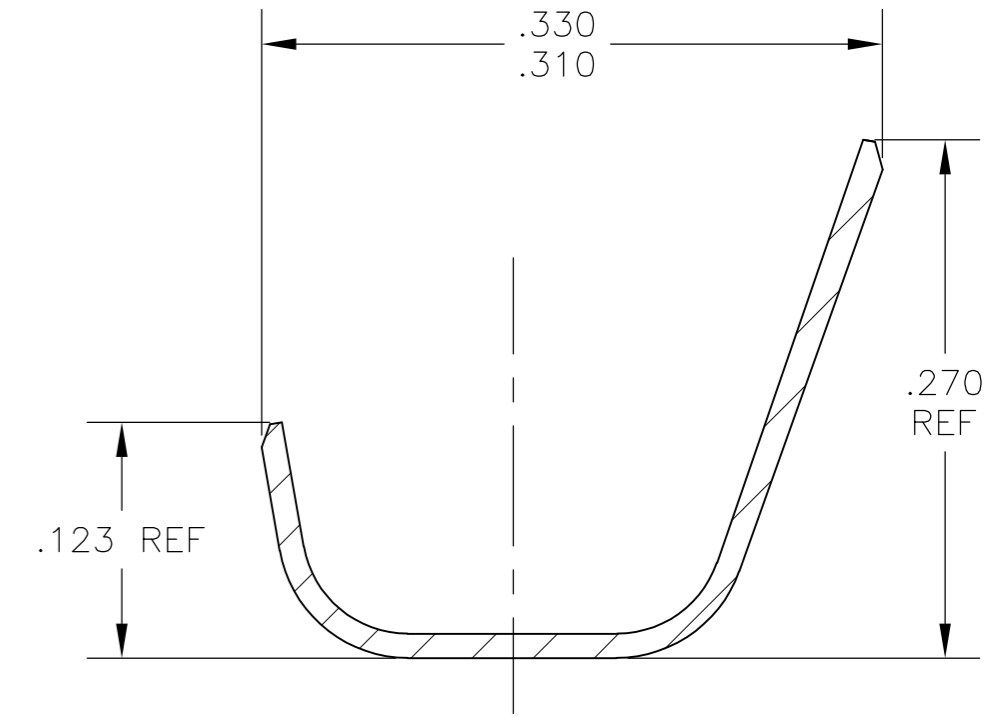
LOC	DIST	REVISIONS					
		P	LTR	DESCRIPTION	DATE	DWN	APVD
AF	14	H		REVISED PER ECR-12-013518	26NOV2012	KH	PD



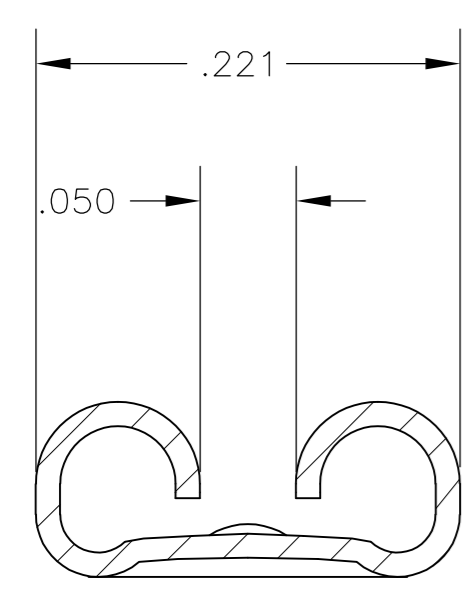
- 1 CONTINUOUS STRIP ON REELS
- 2 WIRE SIZE IS 18-14 OR TWO 18'S AWG
- 3 INSULATION RANGE IS .110-.150 DIA. OR TWO AT .110 MAX DIA.
- 4 MATING TAB THK IS .032±.001



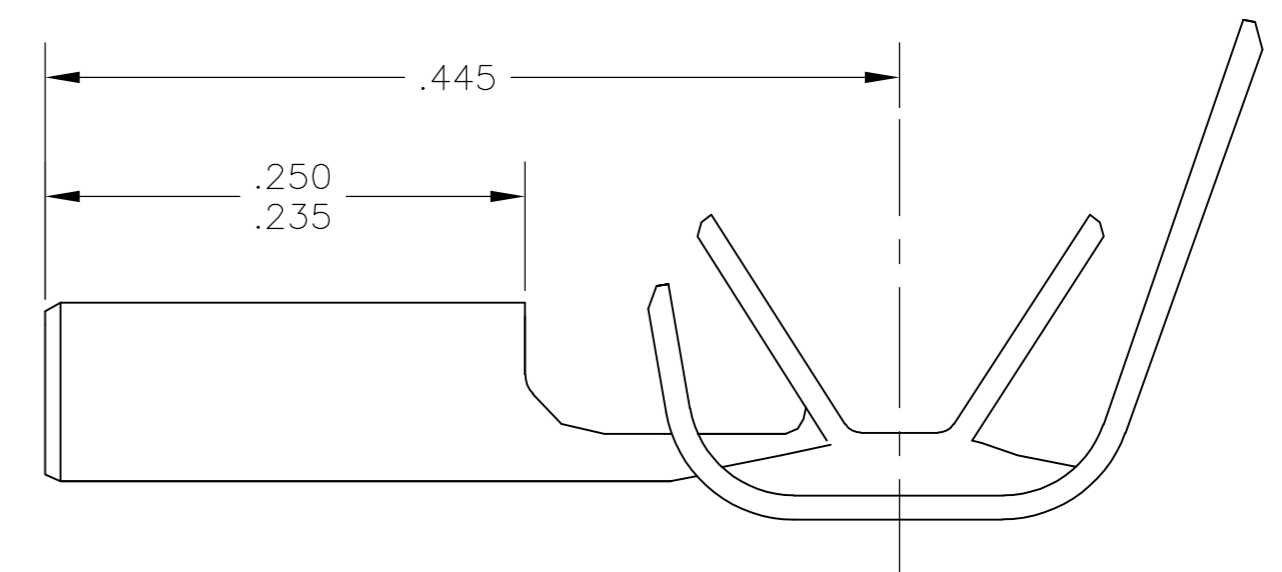
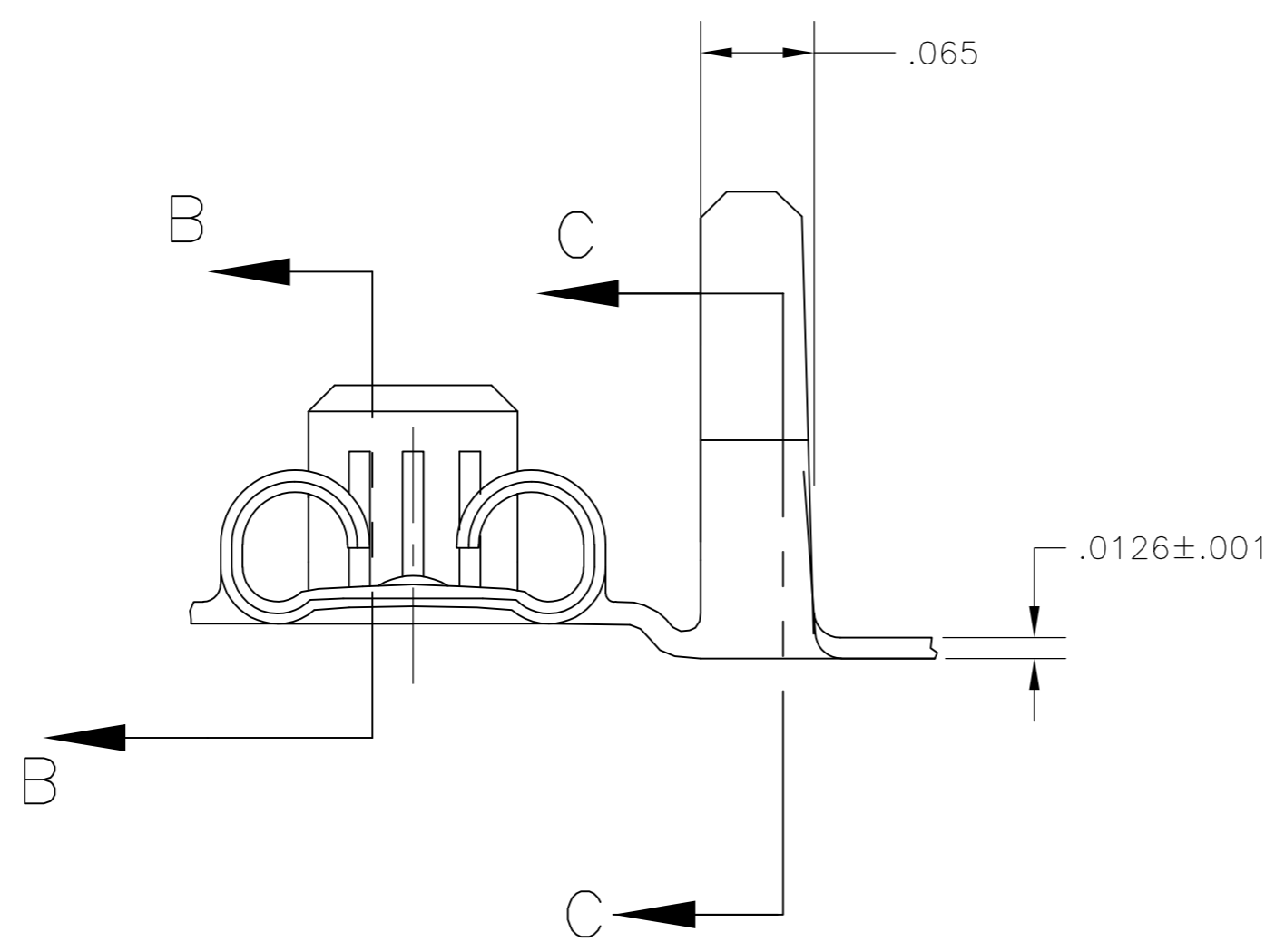
SECTION B-B



SECTION C-C



SECTION Y-Y



TIN	1742089-2
PLAIN	1742089-1
FINISH	PART NO

THIS DRAWING IS A CONTROLLED DOCUMENT.		DWN	JR RUTH	04mar04	 TE Connectivity RECEPTACLE, FASTON, FLAG, .187 SERIES				
DIMENSIONS:		CHK	P DESANTIS	04MAR04					
INCHES		APVD	P DESANTIS	04MAR04					
		TOLERANCES UNLESS OTHERWISE SPECIFIED:		NAME					
		0 PLC ± - 1 PLC ± - 2 PLC ± - 3 PLC ± .010 4 PLC ± - ANGLES ± 2°		PRODUCT SPEC	SIZE	CAGE CODE	DRAWING NO	RESTRICTED TO	
MATERIAL		FINISH		APPLICATION SPEC	WEIGHT	A2	00779	C=1742089	-
BRASS		-		WEIGHT	-	SCALE 10:1		SHEET 1 of 1	REV H
CUSTOMER DRAWING									

1742089