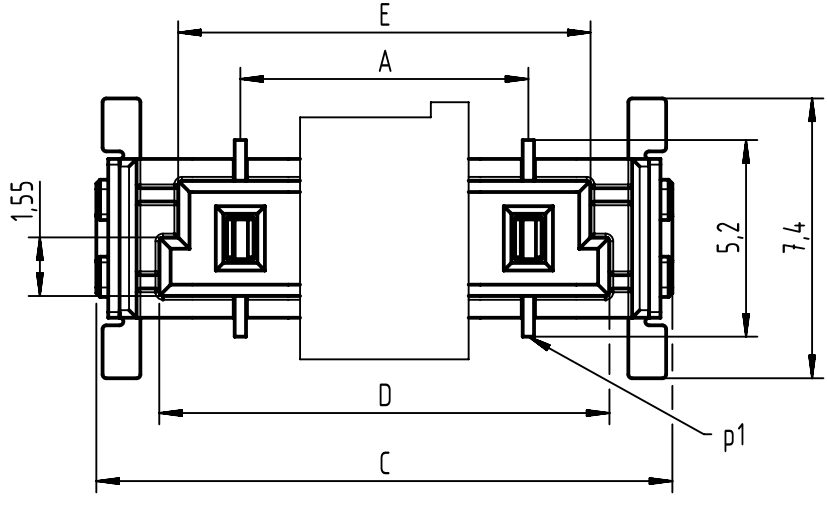


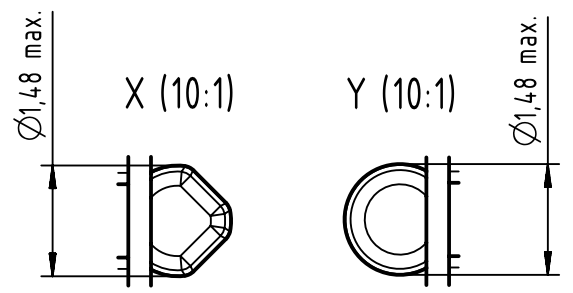
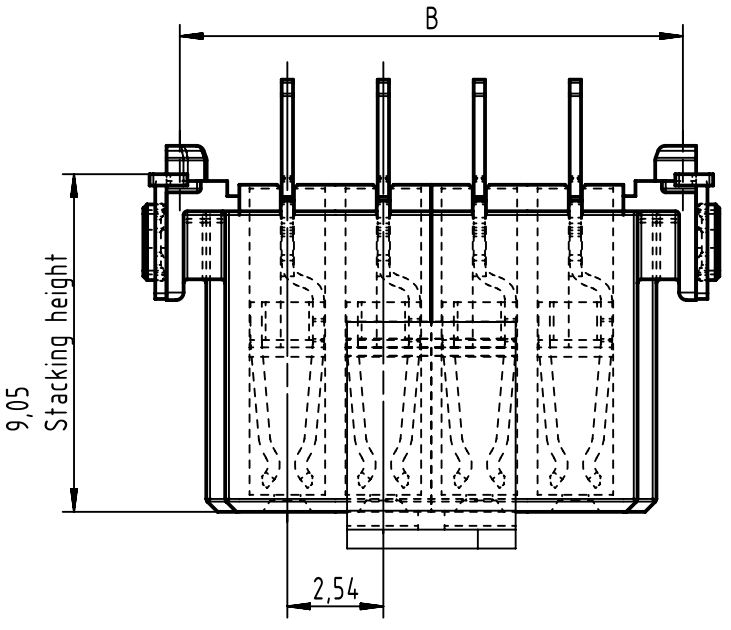
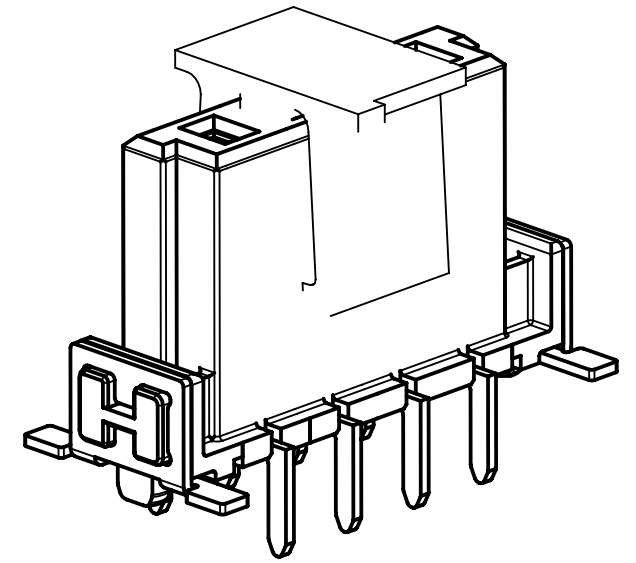
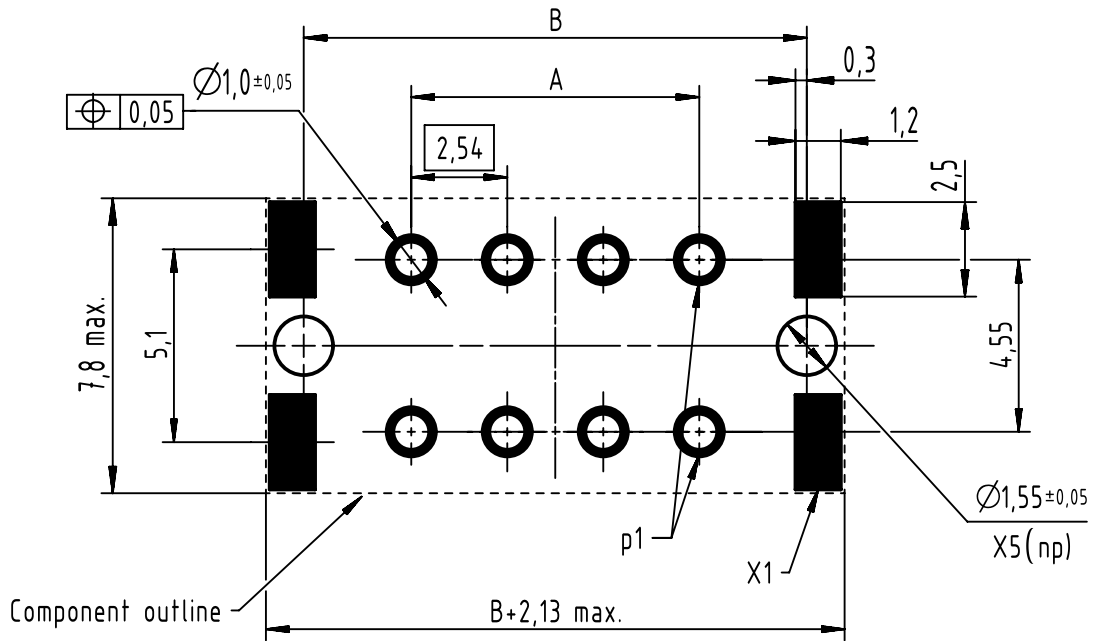
Poles P=	Part number	A	B	C	D	E	F
2	1562 002 X701 XXX	2,54	8,23	10,16	6,83	5,83	1,18
3	1562 003 X701 XXX	5,08	10,77	12,70	9,37	8,37	2,45
4	1562 004 X701 XXX	7,62	13,31	15,24	11,91	10,91	3,72
5	1562 005 X701 XXX	10,16	15,85	17,78	14,45	13,45	4,99
6	1562 006 X701 XXX	12,70	18,39	20,32	16,99	15,99	6,26
12	1562 012 X701 XXX	27,94	33,63	35,56	32,23	31,23	13,88

Packaging	
tape & reel with 200 pcs per reel	000
samples	333

Performance level	
PL1 : > 500 mating cycles	2



Recommended PCB Layout



Further technical information see data sheet

	All Dimensions in mm Original Size DIN A3	Scale 5:1	Free size tol.	Ref.	
	All rights reserved Department EL PD	Created by CHENSK	Inspected by WANGSTE	Standardisation 302077	Date 2020-11-02
HARTING Electronics GmbH D-32339 Espelkamp	Title Har-flex str female pwr conn THR 9.05mm			State Final Release	
	Type TB	Number 1562XXXX701XXX	Doc-Key / ECM-Nr. 100780680/UGD/001/B 500000182171		Page 1/2

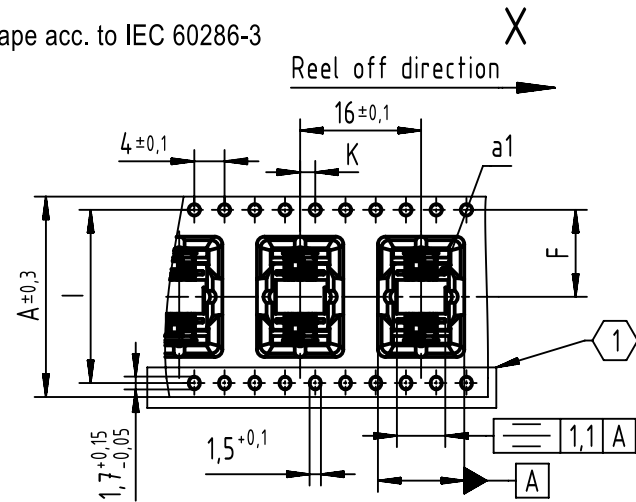


har-flex[®] straight female power connector



TAPE LAYOUT & PACKAGING

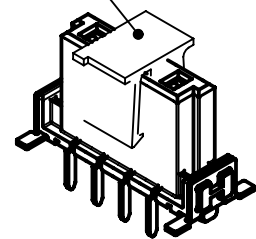
Tape acc. to IEC 60286-3



Tape dimensions:	A	F	I	K
poles 02 and 03	24,0	11,5±0,1	-	2±0,1
poles 04 and 05	32,0	14,2±0,1	28,4	2±0,1
poles 06 to 12	44,0	20,2±0,1	40,4	2±0,15

1 NO DOUBLE SPROCKET HOLES FOR 02 AND 03 POLE NUMBERS (TAPE SIZE 24)

Pick & place pad 6,4±0,1 x 4,5±0,1

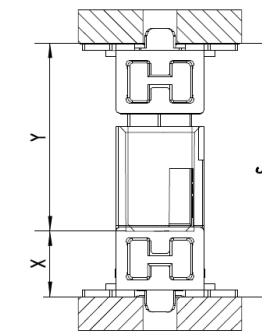


Packaging indices ("XXX" in part number)			
Index	Stacking height	Packaging unit	Packaging
000	9,05mm	200	Tape&reel
333	All	1	Tape

APPLICATION INFORMATION

S	15mm	
	14mm	
	13mm	
	12mm	
	11mm	
	10mm	
	9mm	
	8mm	
X&Y	stacking heights	male 3.25mm female 9.05mm
S	PCB distance	12.3mm- 13.8mm
	part numbers	1552... 1562...

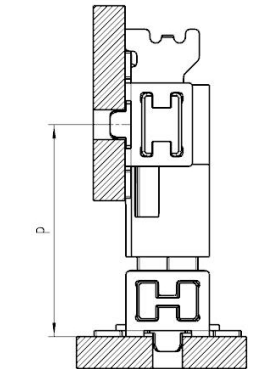
Straight female



Straight male

3,25	9,05	12,3	13,8
X	Y	Smin	* Smax

Angled male

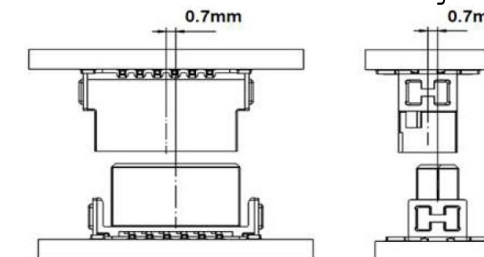


Straight female

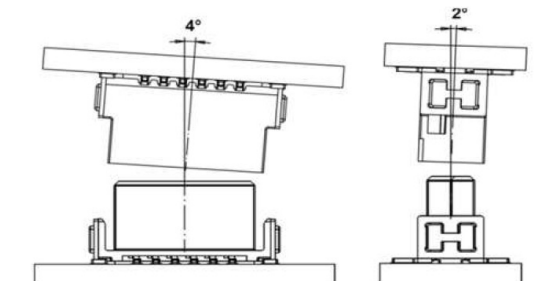
9,05	10,70
Y	P min.

*Smax = Smin +1.5 wiping length with additional contact overlap security

Admissible mismatching

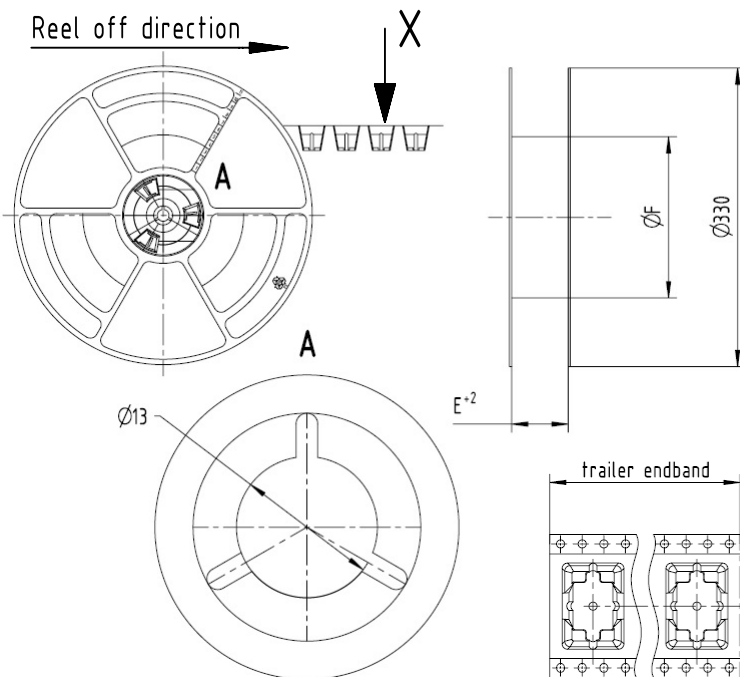


Admissible inclination



REEL DIMENSIONS

Reel off direction



Reel dimensions:	E	F
Poles 02 and 03	24,4	178mm for stacking height 3,25mm
Poles 04 and 05	32,4	
Poles 06 to 12	44,4	



All Dimensions in mm
Original Size DIN A3

Scale
1:1

Free size tol.

Ref.

Sub.



All rights reserved
Department EL PD

Created by
CHENSK

Inspected by
WANGSTE

Standardisation
302077

Date
2020-11-02

State
Final Release

Title
Har-flex str female pwr conn THR 9.05mm

Doc-Key / ECM-Nr.
100780680/UGD/001/B
500000182171

HARTING Electronics GmbH

Type
TB

Number
1562XXXX701XXX

Rev.
B

Page
2/2

D-32339 Espelkamp