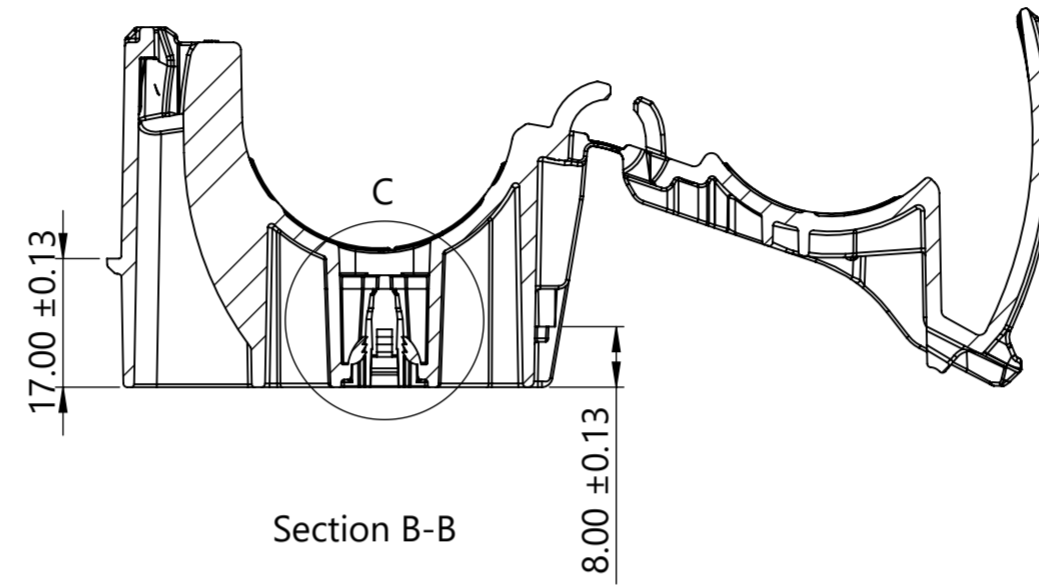
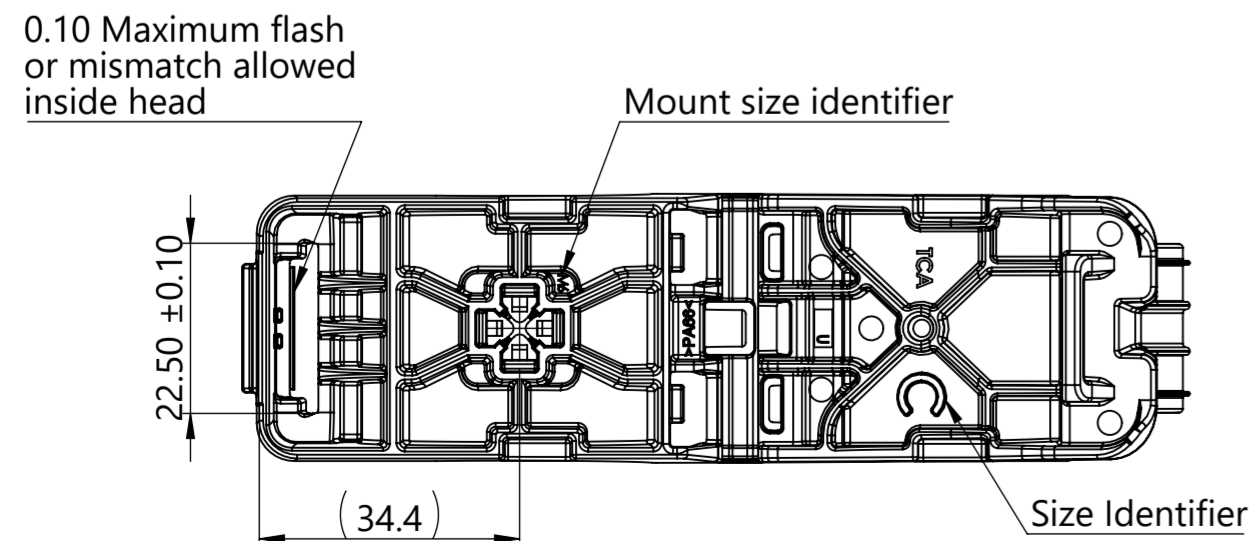
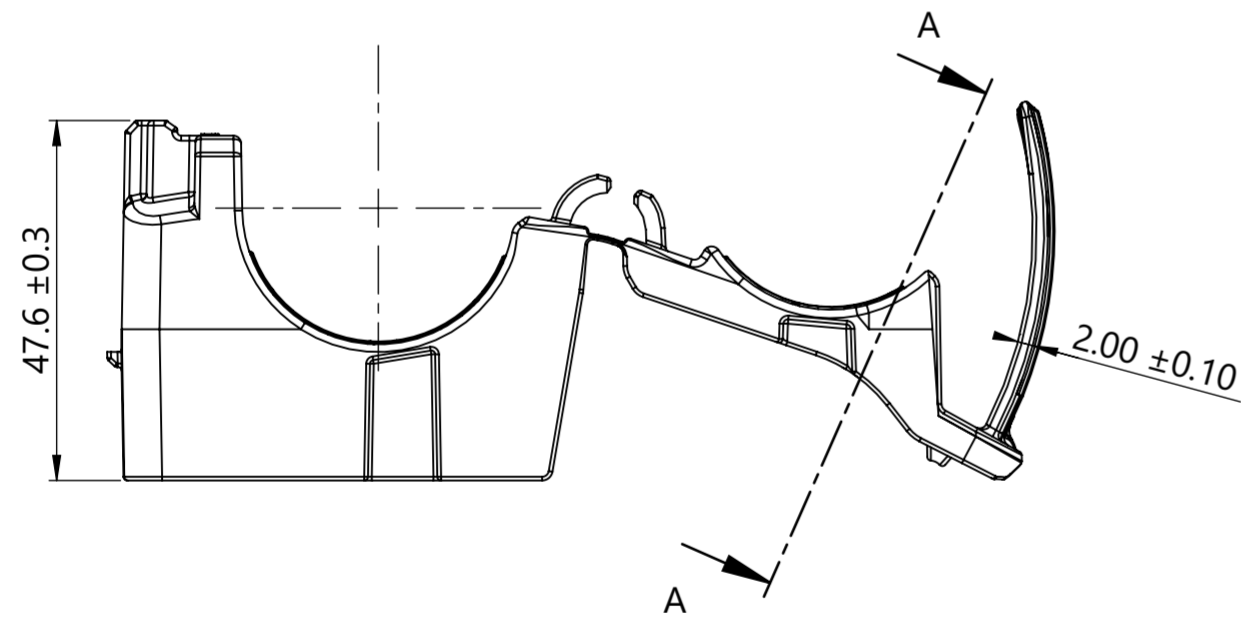
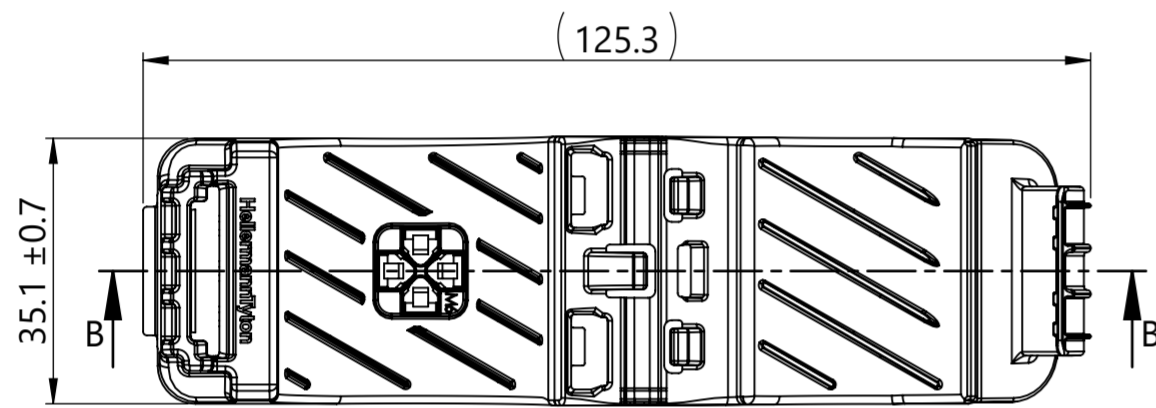
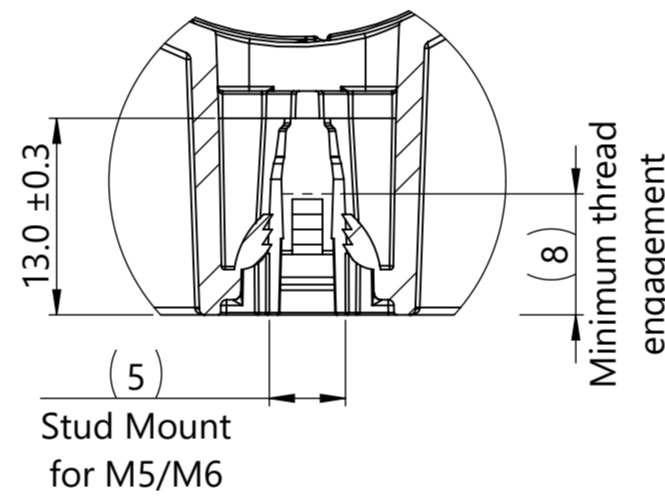


Isometric View
Product shipped in clamp open position

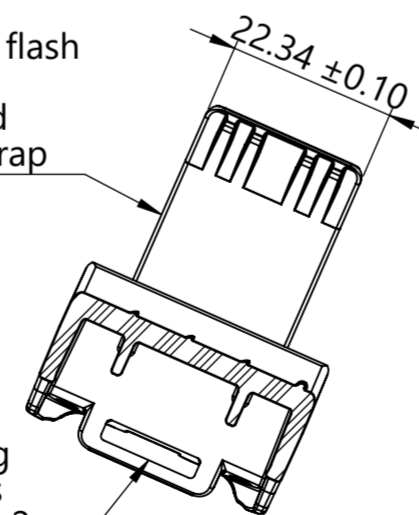


Section B-B



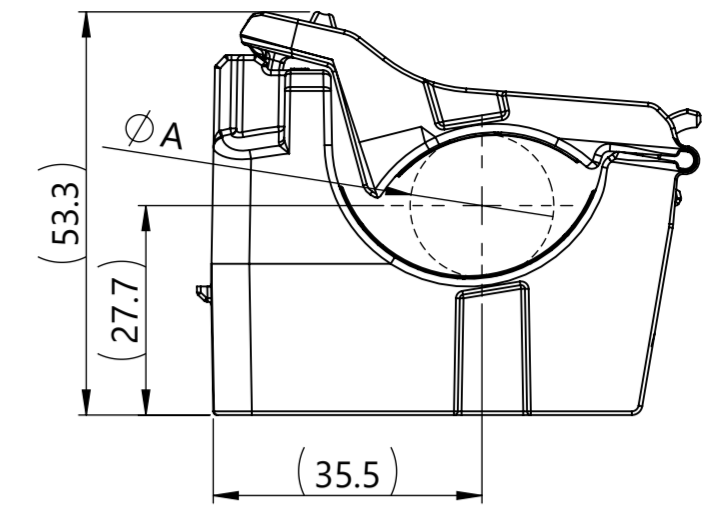
Detail C
Scale 2 : 1

0.10 Maximum flash or mismatch allowed around perimeter of strap

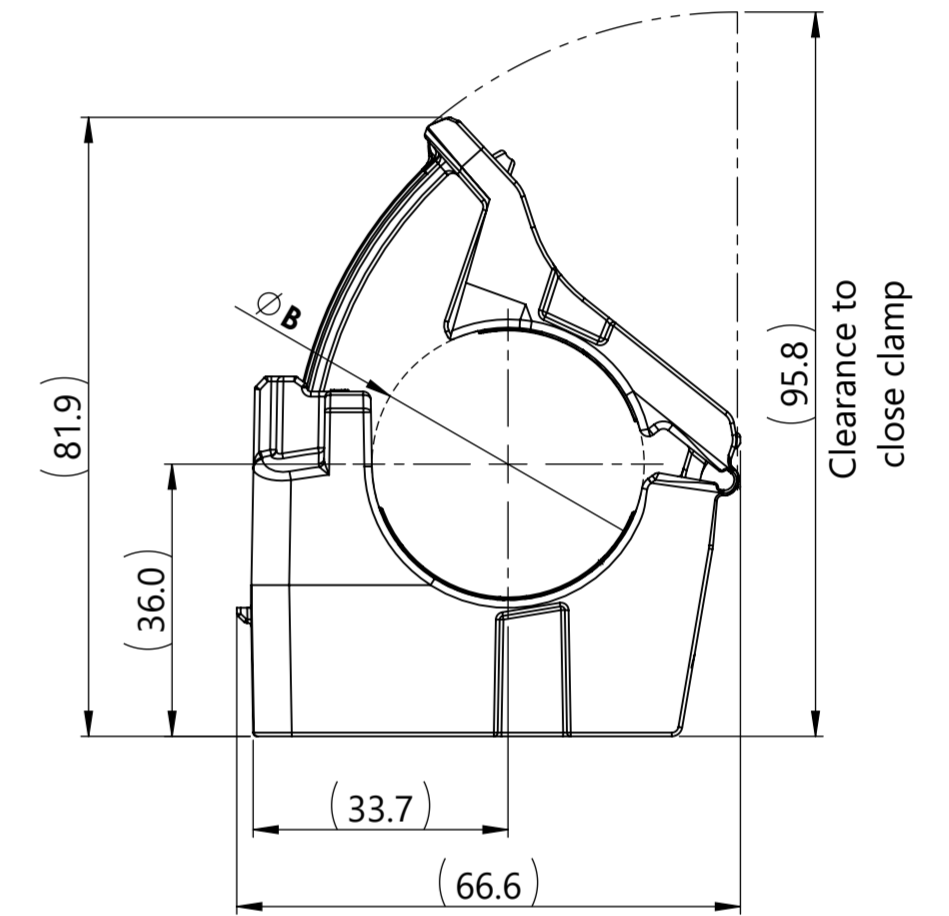


Section A-A

Saddle opening accommodates Straps up to 13.2 wide and 2.1 thick



Minimum Bundle Diameter



Maximum Bundle Diameter

Performance requirements:

Dry as molded with ≤ 0.5% moisture content:

- ITS-0001 Ratchet Clamp Split Mandrel Test: 445 newtons [100 lbf] minimum at a nominal bundle diameter of 25.40mm [1.000in]
- ITS-0006 Push On and Pull Off Stud Mount
Push on force: 45 newtons [10 lbf] maximum
Pull off force: 222 newtons [50 lbf] minimum

Notes:

- Material: See chart
- Material color: See chart
- Maximum percent regrind permissible: 25%
- Maximum allowable flash to be: 0.50 "Unless otherwise noted"
- Maximum allowable mismatch to be: 0.15 "Unless otherwise noted"

Bundle Types	A Minimum Diameter	B Maximum Diameter
Soft	19.4 ± 0.3	36.0 ± 0.3
Hard	18.6 ± 0.3	35.2 ± 0.3

Global Part Number	Global Part Description	Mounting Stud Size	Type Number	Material	Color
21-0241	CMRCCSMM6-PA66HIRHSUV-BK	M5/M6	CMRCCSMM6	PA66HIRHSUV	Black

Revision level			Revision Record		
Drawing	State	Part	ECN 016828		
00.1	Design Release	-			
Changed	Date (YYYY/MM/DD)				
Spangler	2022/01/18				
Approved	Date (YYYY/MM/DD)				
Toll	2022/01/18				

The copyright of this drawing is reserved by HellermannTyton.

All drawing revision are stored in CAD PDM database

Units: **mm**
HellermannTyton
www.HellermannTyton.com

CMRCCSMM6
Title: Center Mount RCC Ratchet P-Clamp, Size C, Clamp Range 18.9 to 36.0, M6 Stud Mount
Scale: 1:1
Global Project Number: 21-0241
Drawing-No: 21-0241-003-CSU
Format: A2
Sheet: 1/1