

NOTES:
 RATED VOLTAGE:
 3, 4 contacts 250V
 5 contacts 60V
 8 contacts 30V
 RATED CURRENT:
 3, 4, 5 contacts 4A
 8 contacts 2A
 PROTECTION CLASS: IP 67

CONTACTS POSITION FRONT VIEW:

	3 CONTACTS	4 CONTACTS	5 CONTACTS	8 CONTACTS																																																
MALE																																																				
CONNECTIONS	<table border="1"> <tr><th>PIN</th><th>WIRE</th></tr> <tr><td>1</td><td>BROWN</td></tr> <tr><td>3</td><td>BLUE</td></tr> <tr><td>4</td><td>BLACK</td></tr> </table>	PIN	WIRE	1	BROWN	3	BLUE	4	BLACK	<table border="1"> <tr><th>PIN</th><th>WIRE</th></tr> <tr><td>1</td><td>BROWN</td></tr> <tr><td>2</td><td>WHITE</td></tr> <tr><td>3</td><td>BLUE</td></tr> <tr><td>4</td><td>BLACK</td></tr> </table>	PIN	WIRE	1	BROWN	2	WHITE	3	BLUE	4	BLACK	<table border="1"> <tr><th>PIN</th><th>WIRE</th></tr> <tr><td>1</td><td>BROWN</td></tr> <tr><td>2</td><td>WHITE</td></tr> <tr><td>3</td><td>BLUE</td></tr> <tr><td>4</td><td>BLACK</td></tr> <tr><td>5</td><td>GREY OR GREEN/YELLOW</td></tr> </table>	PIN	WIRE	1	BROWN	2	WHITE	3	BLUE	4	BLACK	5	GREY OR GREEN/YELLOW	<table border="1"> <tr><th>PIN</th><th>WIRE</th></tr> <tr><td>1</td><td>WHITE</td></tr> <tr><td>2</td><td>BROWN</td></tr> <tr><td>3</td><td>GREEN</td></tr> <tr><td>4</td><td>YELLOW</td></tr> <tr><td>5</td><td>GREY</td></tr> <tr><td>6</td><td>PINK</td></tr> <tr><td>7</td><td>BLUE</td></tr> <tr><td>8</td><td>RED</td></tr> </table>	PIN	WIRE	1	WHITE	2	BROWN	3	GREEN	4	YELLOW	5	GREY	6	PINK	7	BLUE	8	RED
PIN	WIRE																																																			
1	BROWN																																																			
3	BLUE																																																			
4	BLACK																																																			
PIN	WIRE																																																			
1	BROWN																																																			
2	WHITE																																																			
3	BLUE																																																			
4	BLACK																																																			
PIN	WIRE																																																			
1	BROWN																																																			
2	WHITE																																																			
3	BLUE																																																			
4	BLACK																																																			
5	GREY OR GREEN/YELLOW																																																			
PIN	WIRE																																																			
1	WHITE																																																			
2	BROWN																																																			
3	GREEN																																																			
4	YELLOW																																																			
5	GREY																																																			
6	PINK																																																			
7	BLUE																																																			
8	RED																																																			

FOR OPTION SEE - NUMERICAL CODE - ON SHEET 2

ITEM	QTY.	DESCRIPTION	MATERIAL	FINISH
6	1	LABEL	VINYL	YELLOW
5	3/4/5	CONTACT MA	COPPER	GOLD OVER Ni-PLATED
	8	CONTACT MA	BRASS	GOLD OVER Ni-PLATED
4	1	INSERT M12 MA XP BK	PUR	-
3	1	COUPLING NUT M12 MA	SEE SHEET 2	SEE SHEET 2
2	-	OVERMOULDING	TPU	SEE SHEET 2
1	-	CABLE	SEE SHEET 2	-

FUNCTIONAL SYMBOLS $\nabla_A = 0$ $\nabla_E = 0$ $\nabla_V = 0$	THIS DRAWING CONTAINS INFORMATION THAT IS PROPRIETARY TO MOLEX ELECTRONIC TECHNOLOGIES, LLC AND SHOULD NOT BE USED WITHOUT WRITTEN PERMISSION	SCALE 1:1	CURRENT REV DESC:						
	DIMENSION UNITS mm	GENERAL TOLERANCES (UNLESS SPECIFIED)				 CSE M12 XP AC MA STR WSOR XM SE UNSH			
	ANGULAR TOL ± 1.0°	4 PLACES ±	EC NO: 662119	2021/04/27					
	DIVISIONAL SYMBOLS	3 PLACES ± 0.05	DRWN: PDZIECIOL	2021/04/27					
	2 PLACES ± 0.3	CHK'D: ASZELAG	2021/04/29						
	1 PLACE ± 0.5	APPR: DSTACHOWIAK							
	0 PLACES ±	INITIAL REVISION:							
	DRAFT WHERE APPLICABLE MUST REMAIN WITHIN DIMENSIONS	DRWN: AKONDRACIUK	2016/11/28						
	THIRD ANGLE PROJECTION	APPR: MIWASIECZKO	2016/12/06						
		DRAWING	SERIES	MATERIAL NUMBER	CUSTOMER	DOCUMENT NUMBER	DOC TYPE	DOC PART	REVISION
		A3-SIZE	120065	SEE SHEET 3	GENERAL MARKET	1200659964	PSD	00P	C2
									SHEET NUMBER
									1 OF 3

ENGINEERING NO - NUMERICAL CODE (Available parts see PART LIST table. Other parts available upon request).

8 0 X 0 0 6 B X X M X X X X

88 = M12x1
SINGLE ENDED

POLES:
3 = 3 POLES
4 = 4 POLES
5 = 5 POLES
8 = 8 POLES

HEADER:
006 = PLUG MALE STRARIGHT

CABLE TYPE:
SEE TABLE

UNIT:
M = METER

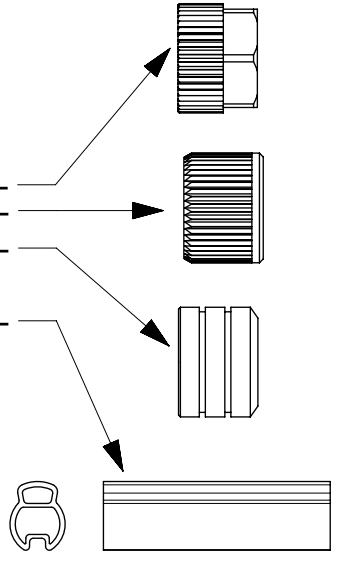
LENGTH:
EXAMPLE:
010 = 1 m
050 = 5 m
100 = 10 m

OPTIONS

Overmold color:
Blank (Standard)=Black
A=Grey / G=Black / Y=Yellow / R=Red

Coupling Nut:
Blank (Standard)=Knurled/Hex Brass, Ni Plated
5=Knurled Derlin
7=Knurled Brass Ni Plated, Teflon Coated

H= 2 pcs. of I/D Carrier PVC Transparent
(Cable B36 always with
2 pcs. I/D Carrier)



CABLE INFORMATION (for more information see Cable Data Sheet).

CABLE TYPE	NO. OF WIRES	CROSS SECTION	CABLE JACKET	UL	CSA	STATIC: TEMP. / BENDING RADIUS	DYNAMIC: TEMP. / BENDING RADIUS	DRAG CHAIN: TEMP. / BENDING RADIUS	DRAG CHAIN	CABLE PRODUCT SPECIFICATION	CABLE SPEC. DRAWING
B30	3 / 4 / 5	0.34mm ²	TPU Black	UL 21215/758	C22.2 I/II A/B 80°/600V	-40°C to +90°C 5xO.D.	-25°C to +80°C 7.5xO.D.	-5°C to +60°C 7.5xO.D.	up to 5 000 000 cycles at temp 20°C	1552200001	SD-120209-001
B33	4 / 5	0.34mm ²	TPU Gray								SD-120209-001
B36	4 / 5	0.34mm ²	TPU Orange								SD-120209-001
B41	8	0.25mm ²	TPU Black								SD-120209-006
B42	5	0.34mm ²	TPU Black								SD-120209-001
B49	8	0.25mm ²	TPU Orange								SD-120209-006
B55	3 / 4 / 5	0.34mm ²	TPU Yellow								n/a

OVER	UP TO AND INCLUDING	TOLERANCE
0	1000	+40 0
1000	5000	+60 0
5000	10000	+80 0
10000	20000	+140 0
20000	30000	+160 0
30000	>	+1% OF LENGTH

FUNCTIONAL SYMBOLS	THIS DRAWING CONTAINS INFORMATION THAT IS PROPRIETARY TO MOLEX ELECTRONIC TECHNOLOGIES, LLC AND SHOULD NOT BE USED WITHOUT WRITTEN PERMISSION	CURRENT REV DESC:		molex																						
	<table border="1"> <tr> <th>FUNCTIONAL SYMBOLS</th> <th>DIMENSION UNITS</th> <th>SCALE</th> </tr> <tr> <td>$\nabla_A = 0$</td> <td>mm</td> <td>1:1</td> </tr> <tr> <td>$\nabla_E = 0$</td> <td colspan="2">GENERAL TOLERANCES (UNLESS SPECIFIED)</td> </tr> <tr> <td>$\nabla_V = 0$</td> <td colspan="2">ANGULAR TOL ± 1.0°</td> </tr> <tr> <td rowspan="5">DIVISIONAL SYMBOLS</td> <td>4 PLACES</td> <td>±</td> </tr> <tr> <td>3 PLACES</td> <td>± 0.05</td> </tr> <tr> <td>2 PLACES</td> <td>± 0.3</td> </tr> <tr> <td>1 PLACE</td> <td>± 0.5</td> </tr> <tr> <td>0 PLACES</td> <td>±</td> </tr> </table>	FUNCTIONAL SYMBOLS	DIMENSION UNITS		SCALE	$\nabla_A = 0$	mm	1:1	$\nabla_E = 0$	GENERAL TOLERANCES (UNLESS SPECIFIED)		$\nabla_V = 0$	ANGULAR TOL ± 1.0°		DIVISIONAL SYMBOLS	4 PLACES	±	3 PLACES	± 0.05	2 PLACES	± 0.3	1 PLACE	± 0.5	0 PLACES	±	EC NO: 662119 DRWN: PDZIECIOL 2021/04/27 CHK'D: ASZELAG 2021/04/27 APPR: DSTACHOWIAK 2021/04/29
FUNCTIONAL SYMBOLS	DIMENSION UNITS	SCALE																								
$\nabla_A = 0$	mm	1:1																								
$\nabla_E = 0$	GENERAL TOLERANCES (UNLESS SPECIFIED)																									
$\nabla_V = 0$	ANGULAR TOL ± 1.0°																									
DIVISIONAL SYMBOLS	4 PLACES	±																								
	3 PLACES	± 0.05																								
	2 PLACES	± 0.3																								
	1 PLACE	± 0.5																								
	0 PLACES	±																								
DRAFT WHERE APPLICABLE MUST REMAIN WITHIN DIMENSIONS		INITIAL REVISION: DRWN: AKONDRACIUK 2016/11/28 APPR: MIWASIECZKO 2016/12/06		PRODUCT CUSTOMER DRAWING DOCUMENT NUMBER: 1200659964 DOC TYPE: PSD DOC PART: 00P REVISION: C2																						
THIRD ANGLE PROJECTION		DRAWING: A3-SIZE	SERIES: 120065	MATERIAL NUMBER: SEE SHEET 3	CUSTOMER: GENERAL MARKET	SHEET NUMBER: 2 OF 3																				

PART LIST

MOLEX P/N	ENGINEERING No.	LENGTH (mm)
1200652271	803006B30M010	1000
1200652272	803006B30M020	2000
1200652273	803006B30M050	5000
1200652274	803006B30M100	10000
1200652275	804006B30M010	1000
1200652276	804006B30M020	2000
1200652277	804006B30M050	5000
1200652278	804006B30M100	10000
1200652279	805006B42M010	1000
1200652280	805006B42M020	2000
1200652281	805006B42M050	5000
1200652282	805006B42M100	10000
1200652302	808006B41M010	1000
1200652304	808006B41M050	5000
1200652305	808006B41M100	10000
1200652378	804006B30M010R	1000
1200652379	804006B30M020R	2000
1200652380	804006B30M030R	3000
1200652381	804006B30M040R	4000
1200652382	804006B30M050R	5000
1200652383	808006B41M010R	1000
1200652384	808006B41M020R	2000
1200652385	808006B41M030R	3000
1200652386	808006B41M040R	4000
1200652387	808006B41M050R	5000
1200656001	804006B30M030	3000
1200656400	805006B30M300	30000
1200656401	805006B30M500	50000
1200656487	804006B33M010A	1000
1200656488	804006B33M100A	10000
1200656552	805006B36M1007Y	10000

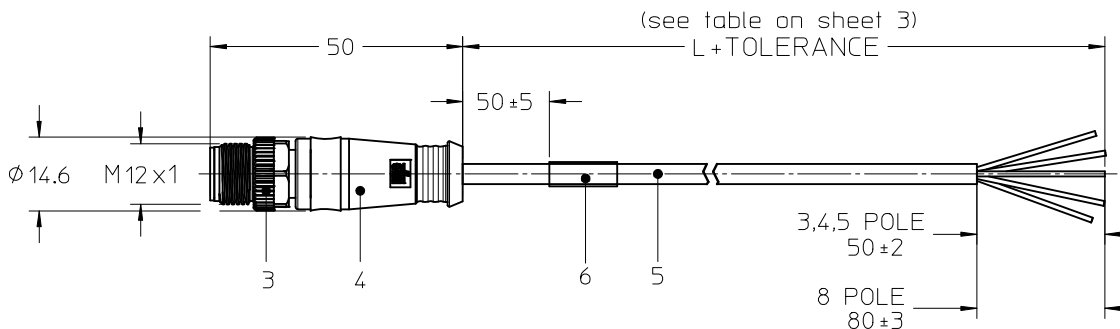
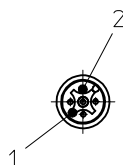
MOLEX P/N	ENGINEERING No.	LENGTH (mm)
1200656002	804006B30M040	4000
1200656003	808006B41M040	4000
1200656066	804006B30M005	500
1200656296	804006B30M080	8000
1200659440	804006B30M150	15000
1200659451	804006B33M020	2000
1200659452	805006B33M020	2000
1200659453	808006B41M020	2000
1200659526	805006B30M010	1000
1200659527	805006B30M020	2000
1200659528	805006B30M050	5000
1200659529	805006B30M100	10000
1200659546	805006B42M200	20000
1200659547	805006B42M300	30000
1200659596	804006B33M020A	2000
1200659597	804006B33M050A	5000
1200659638	804006B30M030R	3000
1200659680	808006B41M003	300
1200659776	808006B41M030	3000
1200659943	804006B55M050Y	5000
1200659944	804006B55M100Y	10000
1200659945	805006B55M050Y	5000
1200659946	805006B55M100Y	10000
1200659947	805006B55M150Y	15000
1200659964	805006B30M006	600
1200656398	805006B30M150	15000
1200656399	805006B30M200	20000
1200656400	805006B30M300	30000
1200656401	805006B30M500	50000
1200656489	804006B33M003A	300
1200656521	804006B33M005A	500

MOLEX PN	ENGINEERING No	LENGTH (mm)
1200656522	804006B33M030A	3000
1200656614	804006B33M150A	15000
1200656634	804006B55M010Y	1000
1200656635	804006B55M020Y	2000
1200656636	804006B55M030Y	3000
1200656637	804006B55M150Y	15000
1200656674	805006B33M010A	1000
1200656674	805006B33M020A	2000
1200656675	805006B33M030A	3000
1200656676	805006B33M050A	5000
1200656677	805006B33M100A	10000
1200656678	805006B33M150A	15000
1200656679	805006B30M030	3000
1200656680	805006B55M010Y	1000
1200656681	805006B55M020Y	2000
1200656682	805006B55M030Y	3000
1200656855	804006B36M0207Y	2000
1200657186	805006B33M005A	500

DOCUMENT STATUS	P1	RELEASE DATE	2021/04/29	10:08:54
-----------------	----	--------------	------------	----------

FUNCTIONAL SYMBOLS	THIS DRAWING CONTAINS INFORMATION THAT IS PROPRIETARY TO MOLEX ELECTRONIC TECHNOLOGIES, LLC AND SHOULD NOT BE USED WITHOUT WRITTEN PERMISSION	CURRENT REV DESC:		molex																									
	<table border="1"> <tr> <th>FUNCTIONAL SYMBOLS</th> <th>DIMENSION UNITS</th> <th>SCALE</th> </tr> <tr> <td>$\sqrt{A} = 0$</td> <td>mm</td> <td>1:1</td> </tr> <tr> <td colspan="3">GENERAL TOLERANCES (UNLESS SPECIFIED)</td> </tr> <tr> <td colspan="3">ANGULAR TOL $\pm 1.0^\circ$</td> </tr> <tr> <td>4 PLACES</td> <td colspan="2">\pm</td> </tr> <tr> <td>3 PLACES</td> <td colspan="2">± 0.05</td> </tr> <tr> <td>2 PLACES</td> <td colspan="2">± 0.3</td> </tr> <tr> <td>1 PLACE</td> <td colspan="2">± 0.5</td> </tr> <tr> <td>0 PLACES</td> <td colspan="2">\pm</td> </tr> </table>	FUNCTIONAL SYMBOLS	DIMENSION UNITS		SCALE	$\sqrt{A} = 0$	mm	1:1	GENERAL TOLERANCES (UNLESS SPECIFIED)			ANGULAR TOL $\pm 1.0^\circ$			4 PLACES	\pm		3 PLACES	± 0.05		2 PLACES	± 0.3		1 PLACE	± 0.5		0 PLACES	\pm	
FUNCTIONAL SYMBOLS	DIMENSION UNITS	SCALE																											
$\sqrt{A} = 0$	mm	1:1																											
GENERAL TOLERANCES (UNLESS SPECIFIED)																													
ANGULAR TOL $\pm 1.0^\circ$																													
4 PLACES	\pm																												
3 PLACES	± 0.05																												
2 PLACES	± 0.3																												
1 PLACE	± 0.5																												
0 PLACES	\pm																												
DIVISIONAL SYMBOLS	INITIAL REVISION: DRWN: AKONDRACIUK 2016/11/28 APPR: MIWASIECZKO 2016/12/06	DOCUMENT NUMBER 1200659964	DOC TYPE PSD	DOC PART 00P	REVISION C2																								
DRAFT WHERE APPLICABLE MUST REMAIN WITHIN DIMENSIONS		THIRD ANGLE PROJECTION	DRAWING	SERIES	MATERIAL NUMBER	CUSTOMER	SHEET NUMBER																						
			A3-SIZE	120065	SEE PART LIST	GENERAL MARKET	3 OF 3																						

STRAIGHT PLUG MALE



NOTES:

TEMPERATURE RANGE	SEE TABLE ON PAGE 2
CONTACT CURRENT RATING	3-5 POLES 4A 8 POLES 2A
VOLTAGE RATING	3-4 POLES 250V 5 POLES 60V 8 POLES 30V
PROTECTION CLASS	IP 67

TOLERANCES :	
≤ 1m	+40 mm
1m - 5m	+60 mm
5m - 10m	+80 mm
> 10m	+140 mm
> 20m	+160 mm
> 30m	+1%

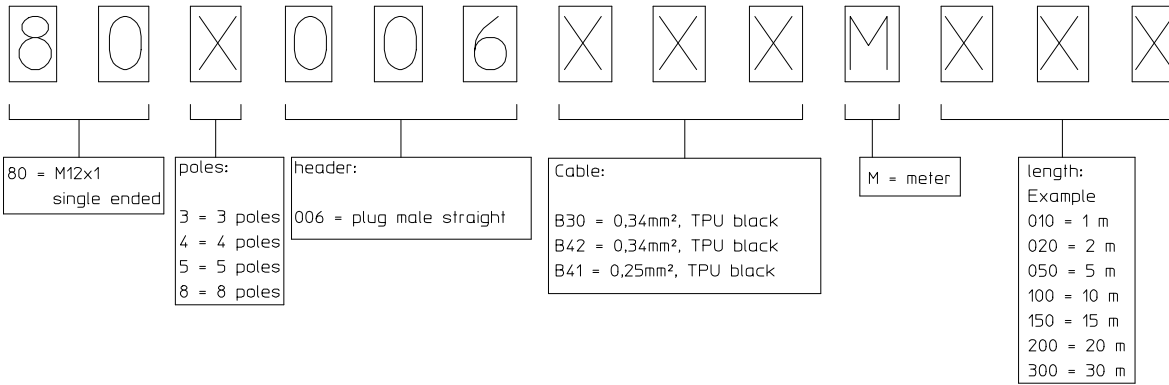
Mating face view:

3 WIRE	4 WIRE	5 WIRE	5 WIRE	8 WIRE
B30	B30	B30	B42	B41
PIN # WIRE	PIN # WIRE	PIN # WIRE	PIN # WIRE	PIN # WIRE
1 BROWN 2 - 3 BLUE 4 BLACK 5 -	1 BROWN 2 WHITE 3 BLUE 4 BLACK 5 -	1 BROWN 2 WHITE 3 BLUE 4 BLACK 5 GREY	1 BROWN 2 WHITE 3 BLUE 4 BLACK 5 GREEN/YELLOW	1 WHITE 2 BROWN 3 GREEN 4 YELLOW 5 GREY 6 PINK 7 BLUE 8 RED
CODING REQUIRED TO IEC 61076-2-101				

ITEM	DESCRIPTION	MATERIAL	FINISH
6	LABEL	---	---
5	CABLE	SEE TABLE (SHEET 2)	---
4	OVERMOULDING	TPU	BLACK
3	COUPLING NUT MALE SW13	BRASS	NI PLATED
2	PIN CONTACT	BRASS	GOLD PLATED
1	INSERT	PA	BLACK

ENTER DESCRIPTION EC NO: IPG2015-0861 DRW:FSCHAFHAUSER 2014/11/06 CHK:RSILLER 2014/11/07 APPR:CBURGER 2014/11/14	QUALITY SYMBOLS ▽=0 ◻=0	GENERAL TOLERANCES (UNLESS SPECIFIED)		DIMENSION STYLE MM ONLY		SCALE 1:1	DESIGN UNITS METRIC	THIRD ANGLE PROJECTION	
		4 PLACES ± --- ± --- 3 PLACES ± --- ± --- 2 PLACES ± 0.05 ± --- 1 PLACE ± 0.30 ± --- 0 PLACE ± 0.50 ± ---		DRAWN BY DATE FSCHAFHAUSER 2014/01/07		TITLE CSE M12 XP AC MA STR XM SE UNSH			
		ANGULAR ± 1 °		CHECKED BY DATE PMERUNKA 2014/03/06					
		DRAFT WHERE APPLICABLE MUST REMAIN WITHIN DIMENSIONS		APPROVED BY DATE CBURGER 2014/05/07					

NUMERICAL CODE (Available parts see table page 3 ff others on request.)



CABLE TYPE	WIRE GAUGE	CABLE JACKET	UL	CSA	static	flexing	drag chain tested	other
B30 3P, 4P, 5P	0.34mm²	TPU black	STYLE 21215	yes	-40°C to +90°C 5xD	-25°C to +80°C 7.5xD	5 mio cycles	WELD SLAG RESISTANCE
B42 5P								
B41 8P	0.25mm²	TPU black	STYLE 21215	yes	-40°C to +90°C 5xD	-25°C to +80°C 7.5xD	5 mio cycles	WELD SLAG RESISTANCE

For cable specification see on drawing SD-120209-001 (B30;B42) and SD-120209-006 (B41)

ENTER DESCRIPTION EC NO: IPG2015-0861 DRW:FSCHAFHAUSER 2014/11/06 CHK:RSILLER 2014/11/07 APPR:CBURGER 2014/11/14	DESCRIPTION REV	QUALITY SYMBOLS	GENERAL TOLERANCES (UNLESS SPECIFIED)	DIMENSION STYLE	SCALE	DESIGN UNITS	THIRD ANGLE PROJECTION	
		▼=0 □=0	mm INCH 4 PLACES ± --- ± --- 3 PLACES ± --- ± --- 2 PLACES ± 0.05 ± --- 1 PLACE ± 0.30 ± --- 0 PLACE ± 0.50 ± ---	MM ONLY	1:1	METRIC	DRAWN BY: FSCHAFHAUSER 2014/01/07 CHECKED BY: PMERUNKA 2014/03/06 APPROVED BY: CBURGER 2014/05/07	TITLE
		ANGULAR ± 1 °	DRAFT WHERE APPLICABLE MUST REMAIN WITHIN DIMENSIONS	SEE TABLE			CSE M12 XP AC MA STR XM SE UNSH	
							MATERIAL NO. DOCUMENT NO.	SHEET NO. 2 OF 3



SD-120065-073

THIS DRAWING CONTAINS INFORMATION THAT IS PROPRIETARY TO MOLEX INCORPORATED AND SHOULD NOT BE USED WITHOUT WRITTEN PERMISSION

PART LIST

PART NUMBER	NUMERICAL CODE	CABLE LENGTH "L" IN M
1200652271	803006B30M010	1M
1200652272	803006B30M020	2M
1200652273	803006B30M050	5M
1200652274	803006B30M100	10M
1200652275	804006B30M010	1M
1200652276	804006B30M020	2M
1200652277	804006B30M050	5M
1200652278	804006B30M100	10M
1200659440	804006B30M150	15M
1200659526	805006B30M010	1M
1200659527	805006B30M020	2M
1200659528	805006B30M050	5M
1200659529	805006B30M100	10M
1200652279	805006B42M010	1M
1200652280	805006B42M020	2M
1200652281	805006B42M050	5M
1200652282	805006B42M100	10M
1200659546	805006B42M200	20M
1200659547	805006B42M300	30M
1200652302	808006B41M010	1M
1200659453	808006B41M020	2M
1200652304	808006B41M050	5M
1200652305	808006B41M100	10M

ENTER DESCRIPTION EC NO: IPG2015-0861 DRWN:FSCHAFHAUSER 2014/11/06 CHKD:RSILLER 2014/11/07 APPR:CBURGER 2014/11/14	DESCRIPTION REV 4	QUALITY SYMBOLS =0 =0	GENERAL TOLERANCES (UNLESS SPECIFIED) <table border="1"> <thead> <tr> <th></th> <th>mm</th> <th>INCH</th> </tr> </thead> <tbody> <tr><td>4 PLACES</td><td>± ---</td><td>± ---</td></tr> <tr><td>3 PLACES</td><td>± ---</td><td>± ---</td></tr> <tr><td>2 PLACES</td><td>± 0.05</td><td>± ---</td></tr> <tr><td>1 PLACE</td><td>± 0.30</td><td>± ---</td></tr> <tr><td>0 PLACE</td><td>± 0.50</td><td>± ---</td></tr> </tbody> </table>		mm	INCH	4 PLACES	± ---	± ---	3 PLACES	± ---	± ---	2 PLACES	± 0.05	± ---	1 PLACE	± 0.30	± ---	0 PLACE	± 0.50	± ---	DIMENSION STYLE MM ONLY	SCALE 1:1	DESIGN UNITS METRIC	THIRD ANGLE PROJECTION
			mm	INCH																					
		4 PLACES	± ---	± ---																					
		3 PLACES	± ---	± ---																					
2 PLACES	± 0.05	± ---																							
1 PLACE	± 0.30	± ---																							
0 PLACE	± 0.50	± ---																							
DRAWN BY FSCHAFHAUSER	DATE 2014/01/07	TITLE CSE M12 XP AC MA STR XM SE UNSH																							
CHECKED BY PMERUNKA	DATE 2014/03/06																								
APPROVED BY CBURGER	DATE 2014/05/07	MATERIAL NO. SEE TABLE	DOCUMENT NO. SD-120065-073																						
DRAFT WHERE APPLICABLE MUST REMAIN WITHIN DIMENSIONS		SIZE A3	SHEET NO. 3 OF 3																						