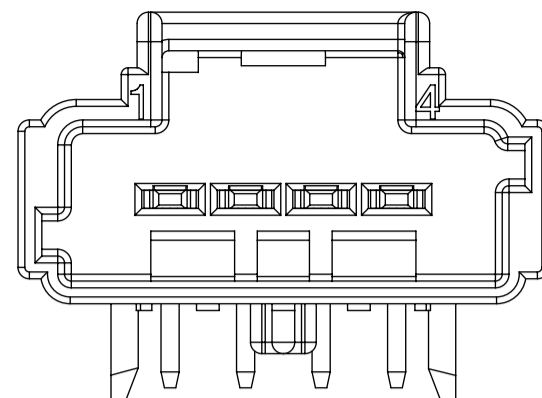


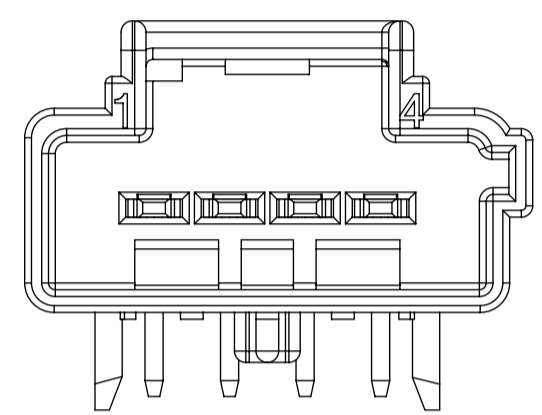
MIGRATED DRAWING

See DXF file in sheet 2
for drawing content

| QUALITY SYMBOLS | THIS DRAWING CONTAINS INFORMATION THAT IS PROPRIETARY TO MOLEX ELECTRONIC TECHNOLOGIES, LLC AND SHOULD NOT BE USED WITHOUT WRITTEN PERMISSION | | | | | | | | | | | |
|-----------------|---|--|--|--|-----------------|------------------------|--------------------------|-----------------|----------------|--------------|--|--|
| = 0 | EC NO: 123049 DRWN: PGRANDCLAUDE CHKD: FPETITPIERRE APPR: OPLESSIS | 2017/10/09 2017/10/09 2017/10/09 | GENERAL TOLERANCES (UNLESS SPECIFIED) | | DIMENSION UNITS | SCALE | | | | | | |
| = 0 | | | ANGULAR TOL ± 3.0 ° | | mm | 1:1 | | | | | | |
| = 0 | | | 4 PLACES ± | | DRWN BY | DATE | HEADER W/ 1.5X0.8 4CKT | | | | | |
| = 0 | | | 3 PLACES ± | | VJOUAS | 2012/04/10 | | | | | | |
| = 0 | | | 2 PLACES ± 0.2 | | CHK'D BY | DATE | | | | | | |
| = 0 | | | 1 PLACE ± 0.2 | | AHERBELIN | 2012/04/12 | PRODUCT CUSTOMER DRAWING | | | | | |
| = 0 | | | 0 PLACES ± 0.2 | | APPR BY | DATE | | | | | | |
| = 0 | | | DRAFT WHERE APPLICABLE MUST REMAIN WITHIN DIMENSIONS | | OPLESSIS | 2012/04/20 | SERIES | MATERIAL NUMBER | CUSTOMER | | | |
| = 0 | | | B | | DRAWING SIZE | THIRD ANGLE PROJECTION | 98773 | | GENERAL MARKET | | | |
| | | | | | B | | DOCUMENT NUMBER | DOC TYPE | DOC PART | SHEET NUMBER | | |
| | | | | | SD-98773-001 | PSD | 001 | 1 OF 2 | | | | |

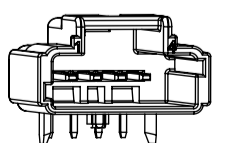
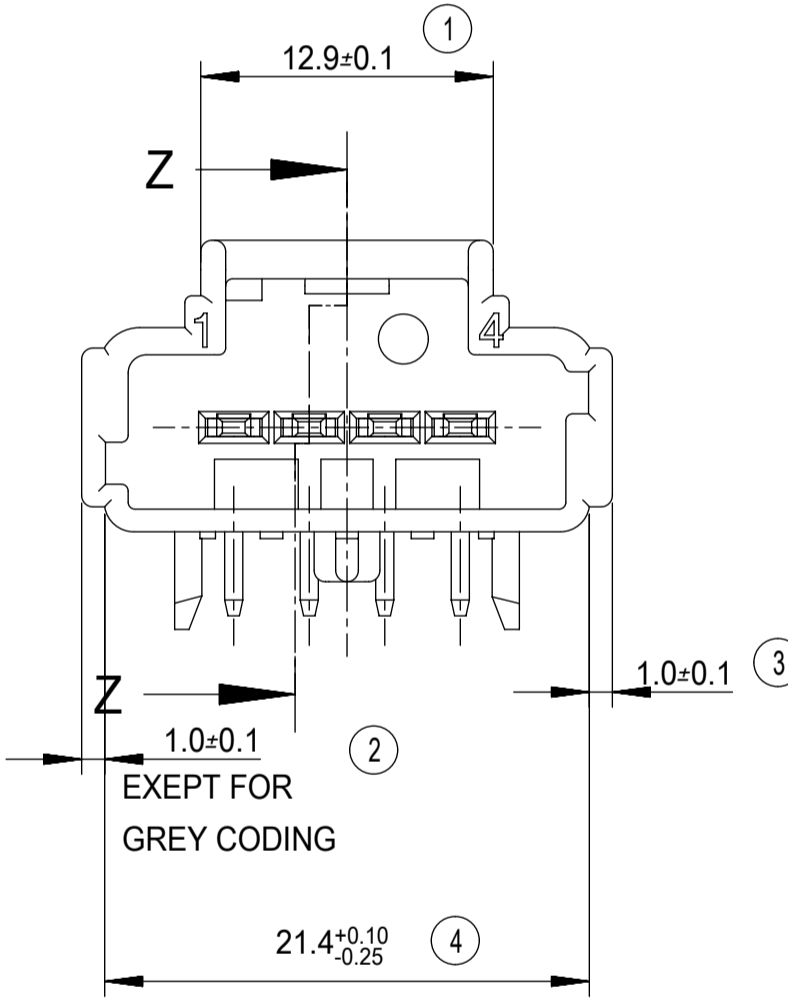
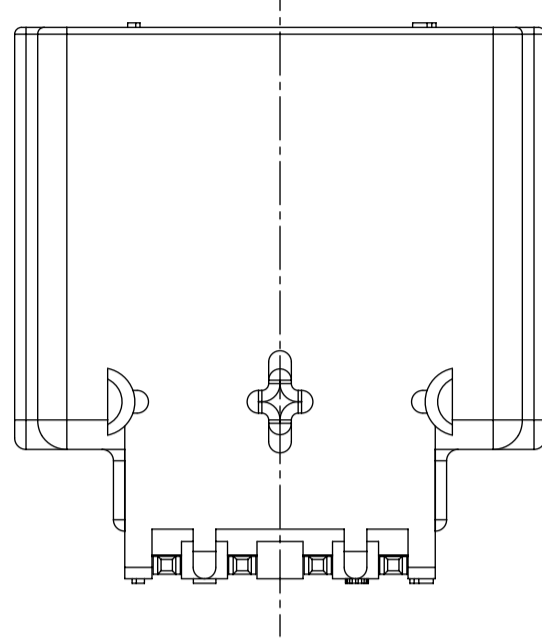


BLACK 0987731011
 COLOR MOLEX P/N

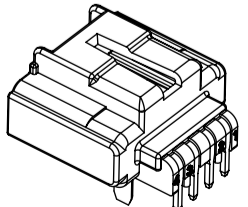


GREY 0987731018
 COLOR MOLEX P/N

CODINGS

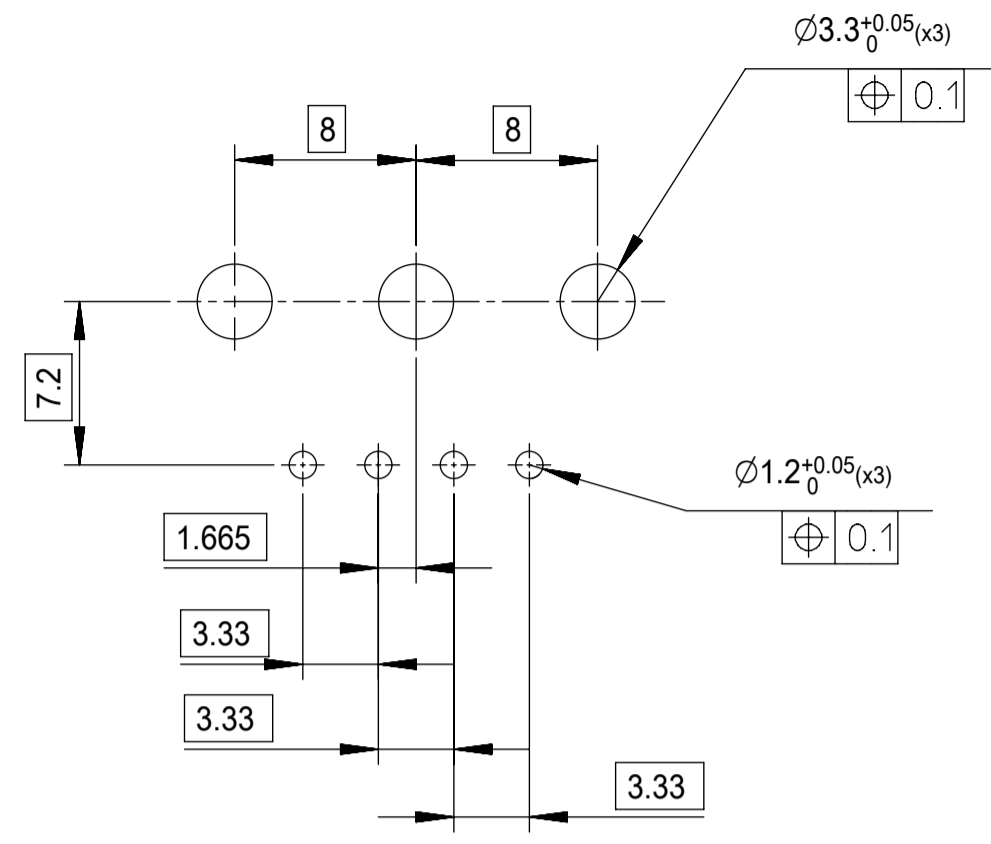


SCALE 1:1

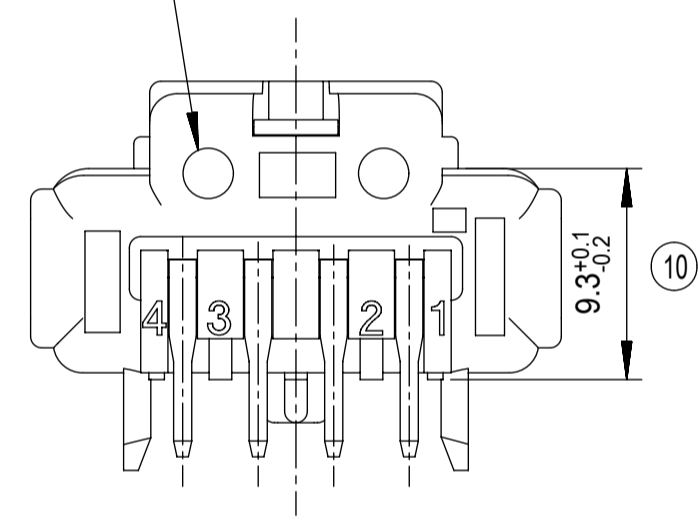


HEADER SUPPORT HOLE DIMENSION

THICKNESS OF PRINTED CIRCUIT 1.6±0.16



DATE, MONTH AND YEAR



NOTE:

PACKAGING : PK-98773-001
 APPLICATION SPEC : AS-98773-001

| ITEM | QTY | DESCRIPTION | MATERIAL | WEIGHT |
|------|-----|---------------------|-------------------|--------|
| 2 | 4 | PIN 1.5 X 0.8 | C19400-TIN PLATED | 2.73 g |
| 1 | 1 | HEADER 1.5X0.8 4CKT | >PA66< | |

| INSPECTION BALLOON NUMBER LOG | |
|-------------------------------|--|
| PER DRAWING REVISION:A | |
| LAST BALLOON NUMBER USED: 10 | |
| ADDED BALLOON NUMBERS: | |
| REMOVED BALLOON NUMBERS: | |

| REV | DESCRIPTION | QUALITY SYMBOLS | | GENERAL TOLERANCES (UNLESS SPECIFIED) | | DIMENSION STYLE | | SCALE | DESIGN UNITS | FIRST ANGLE PROJECTION | |
|-----|--|-----------------|--------------|--|------------|-----------------|--------------|------------|--------------|--|--|
| | | mm | INCH | MM ONLY | DATE | 3:1 | METRIC | TITLE | | | |
| B | FIRST RELEASE EC NO: 123049 DRWN: PGRANDCLAUDE CHKD: FPETITPIERRE APPR: OPLESSIS | $\nabla = 0$ | $\nabla = 0$ | 4 PLACES | \pm --- | \pm --- | VJOUAS | 2012/04/10 | | HEADER W/ 1.5X0.8 4CKT | |
| | | $\nabla = 0$ | $\nabla = 0$ | 3 PLACES | \pm --- | \pm --- | CHECKED BY | DATE | | molex | |
| | | $\nabla = 0$ | $\nabla = 0$ | 2 PLACES | ± 0.20 | \pm --- | AHERBELIN | 2012/04/12 | | SD-98773-001 | |
| | | $\nabla = 0$ | $\nabla = 0$ | 1 PLACE | ± 0.2 | \pm --- | APPROVED BY | DATE | | SHEET NO. | |
| | | $\nabla = 0$ | $\nabla = 0$ | 0 PLACE | ± 0.2 | \pm --- | OPLESSIS | 2012/04/20 | | 1 OF 1 | |
| | | | | ANGULAR ± 3 | | | MATERIAL NO. | | | DOCUMENT NO. | |
| | | | | DRAFT WHERE APPLICABLE MUST REMAIN WITHIN DIMENSIONS | | | SEE CHART | | | THIS DRAWING CONTAINS INFORMATION THAT IS PROPRIETARY TO MOLEX INCORPORATED AND SHOULD NOT BE USED WITHOUT WRITTEN PERMISSION | |