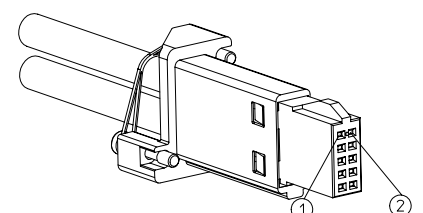
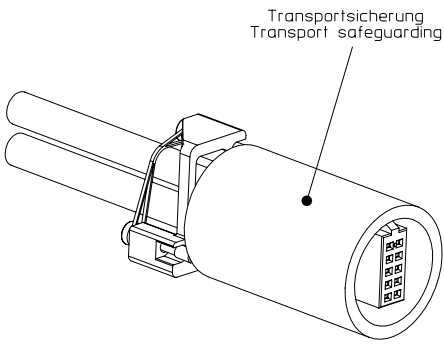
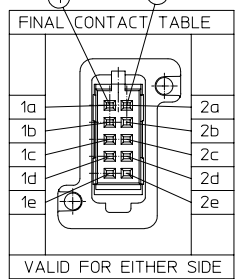


LABEL 2 MARKING	
ALL TYPES	L L L L L L L L

LABEL 1 MARKING			LABEL 1 MARKING		
85348-2009	1HAU20073AJD 85348-2009 WWYY ISS01VX	*5 DIGITS COUNTER NUMBER, START: 00100 *X=VERSION NUMBER SEE DRAWING SD-85348-201	85348-2012	HAU20073XXX 85348-2012 WWYY ISS01VX	*5 DIGITS COUNTER NUMBER, START: 00100 *X=VERSION NUMBER SEE DRAWING SD-85348-201
85348-2008	1HAU20073AHL 85348-2008 WWYY ISS01VX			1HAU20073XXX 85348-2011 WWYY ISS01VX	
85348-2007	1HAU20073AGT 85348-2007 WWYY ISS01VX			1HAU20073XXX 85348-2010 WWYY ISS01VX	
85348-2006	1HAU20073AFB 85348-2006 WWYY ISS01VX				
85348-2005	1HAU20073AEJ 85348-2005 WWYY ISS01VX				
85348-2004	1HAU20073ADR 85348-2004 WWYY ISS01VX				
85348-2003	1HAU20073ACY 85348-2003 WWYY ISS01VX				
85348-2002	1HAU20073ABG 85348-2002 WWYY ISS01VX				
85348-2001	1HAU20073AAP 85348-2001 WWYY ISS01VX				
SERIES-NO.	MARKING TEXT			SERIES-NO.	



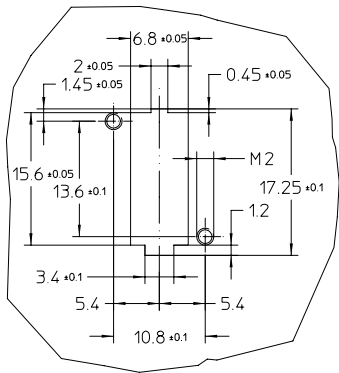
WIRING LIST				
CABLE	WIRE	WIRE COLOR	FROM TERM.1	TO TERM.2
1	a	WHITE	1e	2b
	b	WHITE	1d	2a
	c	GROUND	1c	2c
2	a	WHITE	2b	1e
	b	WHITE	2a	1d
	c	GROUND	2c	1c



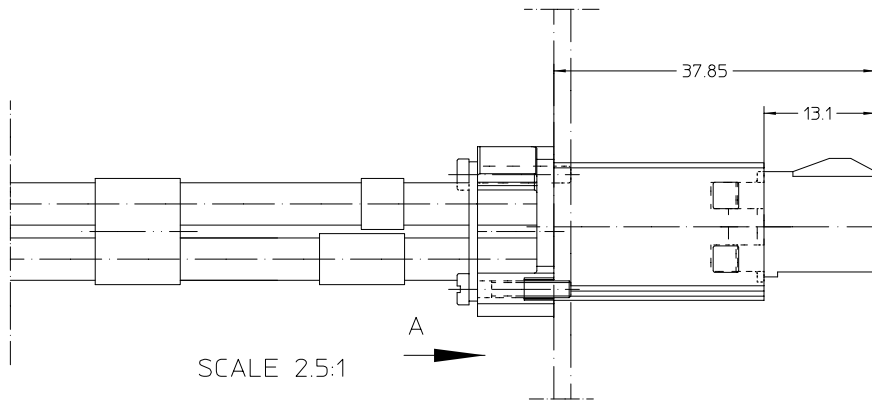
L1	TOTAL LENGTH	M	2	5	6	7	8	9	10	15	20	1	3	4
POS.	TITLE	UNIT	QUANTITY											
LENGTH TABLE														
	FINAL ASSEMBLIES													
	85348-2001													
	85348-2002													
	85348-2003													
	85348-2004													
	85348-2005													
	85348-2006													
	85348-2007													
	85348-2008													
	85348-2009													
	85348-2010													
	85348-2011													
	85348-2012													

EC NO. MG2002-0261 DRAWN BY: hbauer 01/11/20 CHK. W. Sionke 01/11/20 APPR. HKontig 01/11/20	QUALITY SYMBOLS MAJOR CRITICAL C	GENERAL TOLERANCES: (UNLESS SPECIFIED) mm INCH 4 PLACES +--- +--- 3 PLACES +--- +--- 2 PLACES +0.05 +--- 1 PLACE ±0.10 +--- ANGULAR: ± 1/2°	SCALE 2:1 DESIGN UNITS <input checked="" type="checkbox"/> mm <input type="checkbox"/> INCH THIRD ANGLE PROJECTION <input checked="" type="checkbox"/> <input type="checkbox"/>	DRAWN BY & DATE hbauer 2001/11/21 CHECKED BY & DATE MIRA 2001/11/21 APPROVED BY & DATE HKontig 2001/11/21	DIMENSIONS: <input type="checkbox"/> mm <input type="checkbox"/> INCH <input checked="" type="checkbox"/> mm ONLY	SHT. REV REVISE ON CAD ONLY
	TITLE 5X2 IEEE 1394 HIGH PERF. JUMPER CABLE SALES DRAWING			MOLEX INCORPORATED		
	DRAFT WHERE APPLICABLE MUST REMAIN WITHIN DIMENSIONS		THIS DRAWING CONTAINS INFORMATION THAT IS PROPRIETARY TO MOLEX INCORPORATED AND SHOULD NOT BE USED WITHOUT WRITTEN PERMISSION.		CAD FILENAME MATERIAL NO. DRAWING NO. SD-85348-200 SHEET NO. 1 of 2 SIZE C	

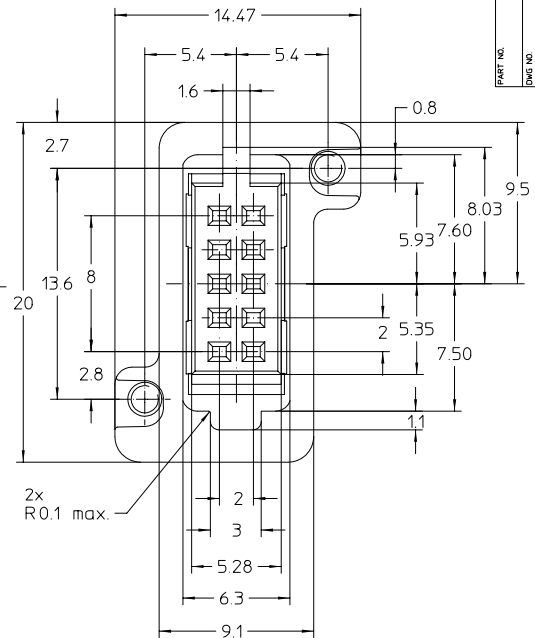
FOR REFERENCE ONLY



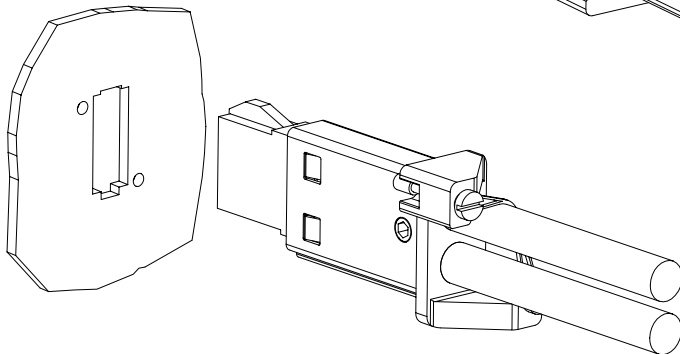
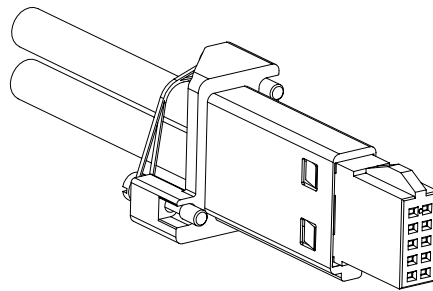
VIEW A
FRONT PANEL CUT OUT
SCALE 2.5:1



SCALE 2.5:1



VIEW B
SCALE 5:1



EC NO MG2002-0261 DRWN: HBauer 01/11/20 CHK: WStorke 01/11/20 APPR: HKONRAD 01/11/20	QUALITY SYMBOLS MAJOR CRITICAL C	GENERAL TOLERANCES: (UNLESS SPECIFIED)	SCALE 2.5:1	DESIGN UNITS <input checked="" type="checkbox"/> mm <input type="checkbox"/> INCH	THIRD ANGLE PROJECTION	DIMENSIONS: <input type="checkbox"/> mm <input type="checkbox"/> INCH <input checked="" type="checkbox"/> mm ONLY	SHT REV
	4 PLACES ±--- ±---	DRAWN BY & DATE hbauer 2001/11/21	3 PLACES ±--- ±---	CHECKED BY & DATE HK 2001/11/21	TITLE 5X2 IEEE 1394 HIGH PERF. JUMPER CABLE SALES DRAWING		REVISE ON CAD ONLY
	2 PLACES ±0.05 ±---	APPROVED BY & DATE HKONRAD 2001/11/21	1 PLACE ±0.10 ±---	ANGULAR: ± 1/2°	MOLEX INCORPORATED		SHEET NO 2 of 2
	DRAFT WHERE APPLICABLE MUST REMAIN WITHIN DIMENSIONS	CAD FILENAME	MATERIAL NO. SEE SHEET 1	DRAWING NO. SD-85348-200	THIS DRAWING CONTAINS INFORMATION THAT IS PROPRIETARY TO MOLEX INCORPORATED AND SHOULD NOT BE USED WITHOUT WRITTEN PERMISSION.	SIZE C	