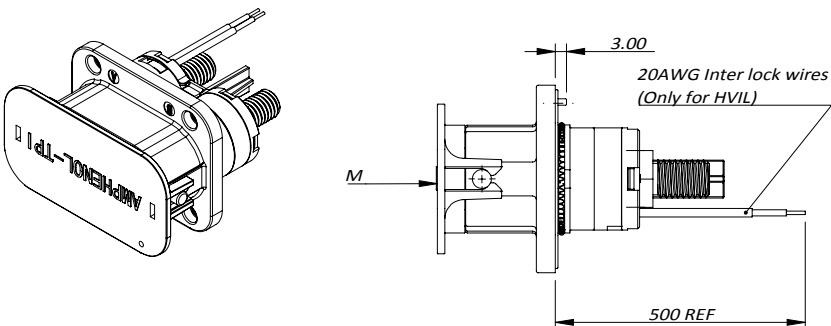
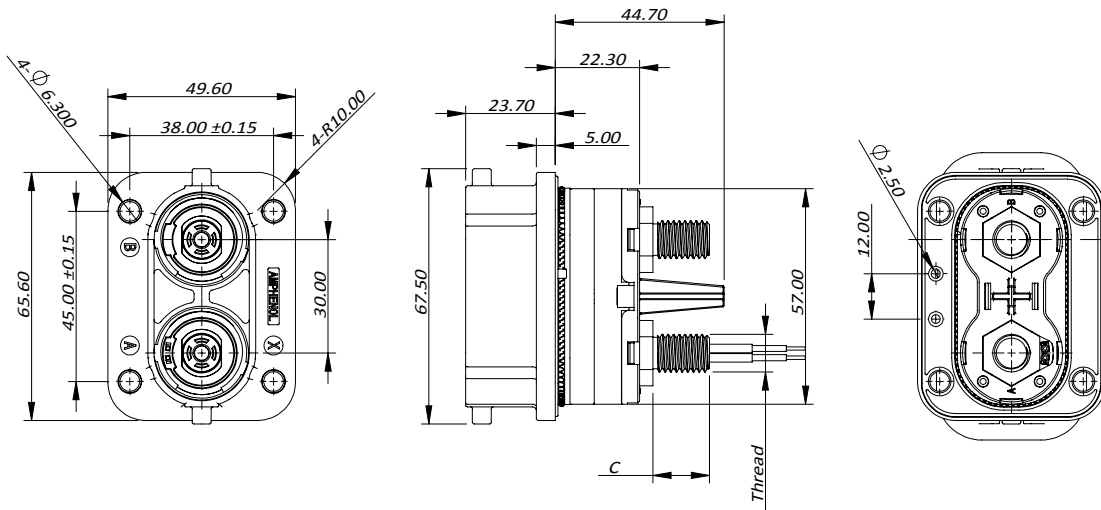


THIS DRAWING IS SUPPLIED FOR INFORMATION ONLY. DESIGN FEATURES, SPECIFICATIONS AND PERFORMANCE DATA SHOWN HEREON ARE THE PROPERTY OF THE AMPHENOL CORPORATION. NO RIGHTS OF REPRODUCTION ARE IMPLIED. ALL DIMENSIONS ARE SUBJECT TO NORMAL MANUFACTURING VARIATIONS.

CUSTOMER DRAWING

REVISIONS					
REV#	ECN#	REVISION ACTION	REV.BY:	APPR.BY:	DATE
A	--	INITIAL RELEASE	Star	JL	10/14/2020

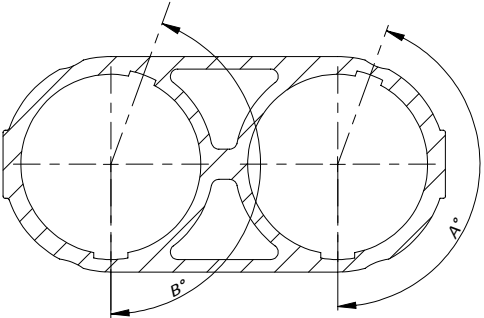


Thread	Length C
M6-6g	12.00
M8-6g	15.00
M10-6g	15.00

- 规格参数(Spec.):
- 工作温度 Operating temperature : -40°C ~ +125°C.
 - 带高压互锁 Electrical interlock (HVIL).
 - 额定电流 Current rating:
Power: 300A; HVIL: 5A.
 - 额定电压 Operating voltage:
Power: 1000 VDC; Signal: 60 VDC.
 - 耐电压 Dielectric withstanding voltage:
A. 与插座对插后, Pin与铁壳之间
When mated, between pin and metal shell: 5000 VDC.
B. 与插座对插后, Pin与HVIL之间
When mated, between pin and HVIL: 5000 VDC.
C. 与插座对插后, HVIL与铁壳之间
When mated, between HVIL and metal shell: 500 VDC.
D. 与插座对插前, 两个HVIL端子之间耐压
Before mating, between two HVIL terminals: 500 VDC.
 - 防护等级 Protection class: Mated-IP6k9k & IP67, unmated-IP2X.
 - 电磁屏蔽 360° full Shielding.
 - 机械寿命 Mating cycle: 100 Min.
 - 推荐法兰盘螺丝安装扭矩 Recommended Screw Assembly Torque on Flange : 6.2~7.6Nm
 - 推荐铜排安装扭矩 Recommended Fasten Torque on Thread pin:
M6: 3.6~4.4Nm, M8: 7.2~8.8Nm, M10: 17.1~20.9Nm
 - 镀灰锌/锌镍合金, 符合RoHS, 满足500H中性盐雾实验
Gray Zinc/Nickel(ZnNi)Plating. RoHS compliant, Rated at 500hours salt spray.

订购信息 Ordering Information
PL082 X - 30 1 - 20 M10 - 2

Key and Color "X", Orange "Y", Black "U", Yellow "V", Green	HVIL "0", NO HVIL "1", With HVIL	Thread Size
--	---	--------------------



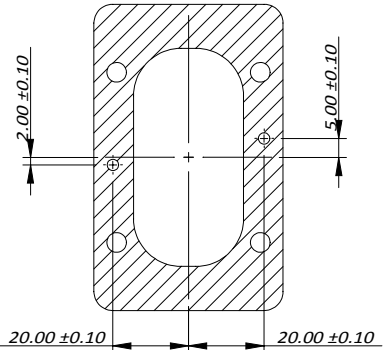
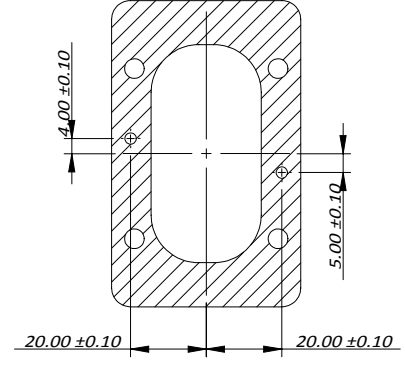
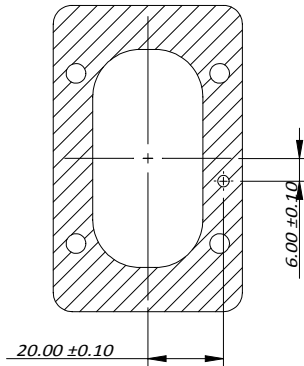
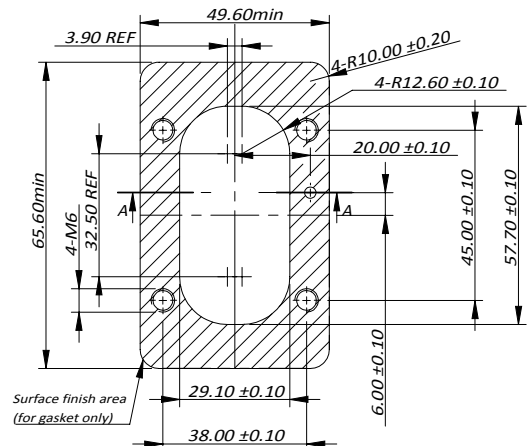
Key	角度A°	角度B°
X	160	160
Y	200	200
U	160	200
V	200	160

	Amphenol Technical Products International Asia.					PART NAME: PwrLok 10mm G2 2POS Thread Pin Rcpt		
	第三角投影 THIRD ANGLE PROJECTION	页面 SHEET	幅面 SIZE	版次 REV.	比例 SCALE	DWG NO: PL082X-30X-20XX-2		
签名 SIGNATURE Star		日期 DATE 10/14/2020		UNLESS OTHERWISE SPECIFIED 1) All dimensions are in metric(mm). 2) Tolerances are as follows: 1.PL DEC ± 1.00 2.PL DEC ± 0.50 3.PL DEC ± 0.20			CUST PART #	CUST REV.
制图 DRAWN Star		审核 CHECKED		批准 APPROVAL			Angles ±1°	

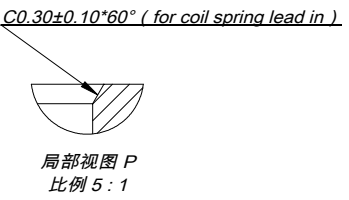
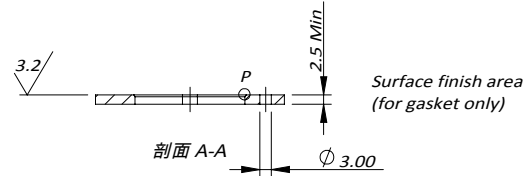
THIS DRAWING IS SUPPLIED FOR INFORMATION ONLY. DESIGN FEATURES, SPECIFICATIONS AND PERFORMANCE DATA SHOWN HEREON ARE THE PROPERTY OF THE AMPHENOL CORPORATION. NO RIGHTS OF REPRODUCTION ARE IMPLIED. ALL DIMENSIONS ARE SUBJECT TO NORMAL MANUFACTURING VARIATIONS.

REVISIONS					
REV#	ECN#	REVISION ACTION	REV.BY:	APPR.BY:	DATE
A	--	INITIAL RELEASE	Star	JL	10/14/2020

型号 Model No.	AC P/N	描述 Description
PL082X-300-20M6-2	AC-HA015853	PwrLok Rcpt PL082X-300-20M6-2
PL082Y-300-20M6-2	AC-HA015854	PwrLok Rcpt PL082Y-300-20M6-2
PL082X-300-20M8-2	AC-HA015855	PwrLok Rcpt PL082X-300-20M8-2
PL082Y-300-20M8-2	AC-HA015856	PwrLok Rcpt PL082Y-300-20M8-2
PL082X-300-20M10-2	AC-HA015857	PwrLok Rcpt PL082X-300-20M10-2
PL082Y-300-20M10-2	AC-HA015858	PwrLok Rcpt PL082Y-300-20M10-2
PL082X-301-20M6-2	AC-HA015859	PwrLok Rcpt PL082X-301-20M6-2
PL082Y-301-20M6-2	AC-HA015860	PwrLok Rcpt PL082Y-301-20M6-2
PL082X-301-20M8-2	AC-HA015861	PwrLok Rcpt PL082X-301-20M8-2
PL082Y-301-20M8-2	AC-HA015862	PwrLok Rcpt PL082Y-301-20M8-2
PL082X-301-20M10-2	AC-HA015863	PwrLok Rcpt PL082X-301-20M10-2
PL082Y-301-20M10-2	AC-HA015864	PwrLok Rcpt PL082Y-301-20M10-2
PL082U-300-20M6-2	AC-HA016523	PwrLok Rcpt PL082U-300-20M6-2
PL082V-300-20M6-2	AC-HA016524	PwrLok Rcpt PL082V-300-20M6-2
PL082U-300-20M8-2	AC-HA016525	PwrLok Rcpt PL082U-300-20M8-2
PL082V-300-20M8-2	AC-HA016526	PwrLok Rcpt PL082V-300-20M8-2
PL082U-300-20M10-2	AC-HA016527	PwrLok Rcpt PL082U-300-20M10-2
PL082V-300-20M10-2	AC-HA016528	PwrLok Rcpt PL082V-300-20M10-2
PL082U-301-20M6-2	AC-HA016529	PwrLok Rcpt PL082U-301-20M6-2
PL082V-301-20M6-2	AC-HA016530	PwrLok Rcpt PL082V-301-20M6-2
PL082U-301-20M8-2	AC-HA016531	PwrLok Rcpt PL082U-301-20M8-2
PL082V-301-20M8-2	AC-HA016532	PwrLok Rcpt PL082V-301-20M8-2
PL082U-301-20M10-2	AC-HA016533	PwrLok Rcpt PL082U-301-20M10-2
PL082V-301-20M10-2	AC-HA016534	PwrLok Rcpt PL082V-301-20M10-2



Recommended panel cut out



	Amphenol Technical Products International Asia.					PART NAME: PwrLok 10mm G2 2POS Thread Pin Rcpt
	第三角投影 THIRD ANGLE PROJECTION	页面 SHEET	幅面 SIZE	版次 REV.	比例 SCALE	
签名 SIGNATURE	日期 DATE	UNLESS OTHERWISE SPECIFIED 1) All dimensions are in metric(mm). 2) Tolerances are as follows: 1.PL DEC ± 1.00 2.PL DEC ± 0.50 3.PL DEC ± 0.20			CUST PART #	
制图 DRAWN	审核 CHECKED	批准 APPROVAL	Angles ±1°			CUST REV.