

REVISIONS				
P	LTN	DESCRIPTION	DATE	APPD
A		INITIAL RELEASE PER E-21-003453	16DEC2021	AP 1G
A1		REVISED PER PCN-22-154423	30SEP2022	AM 1G

FIGURE 1

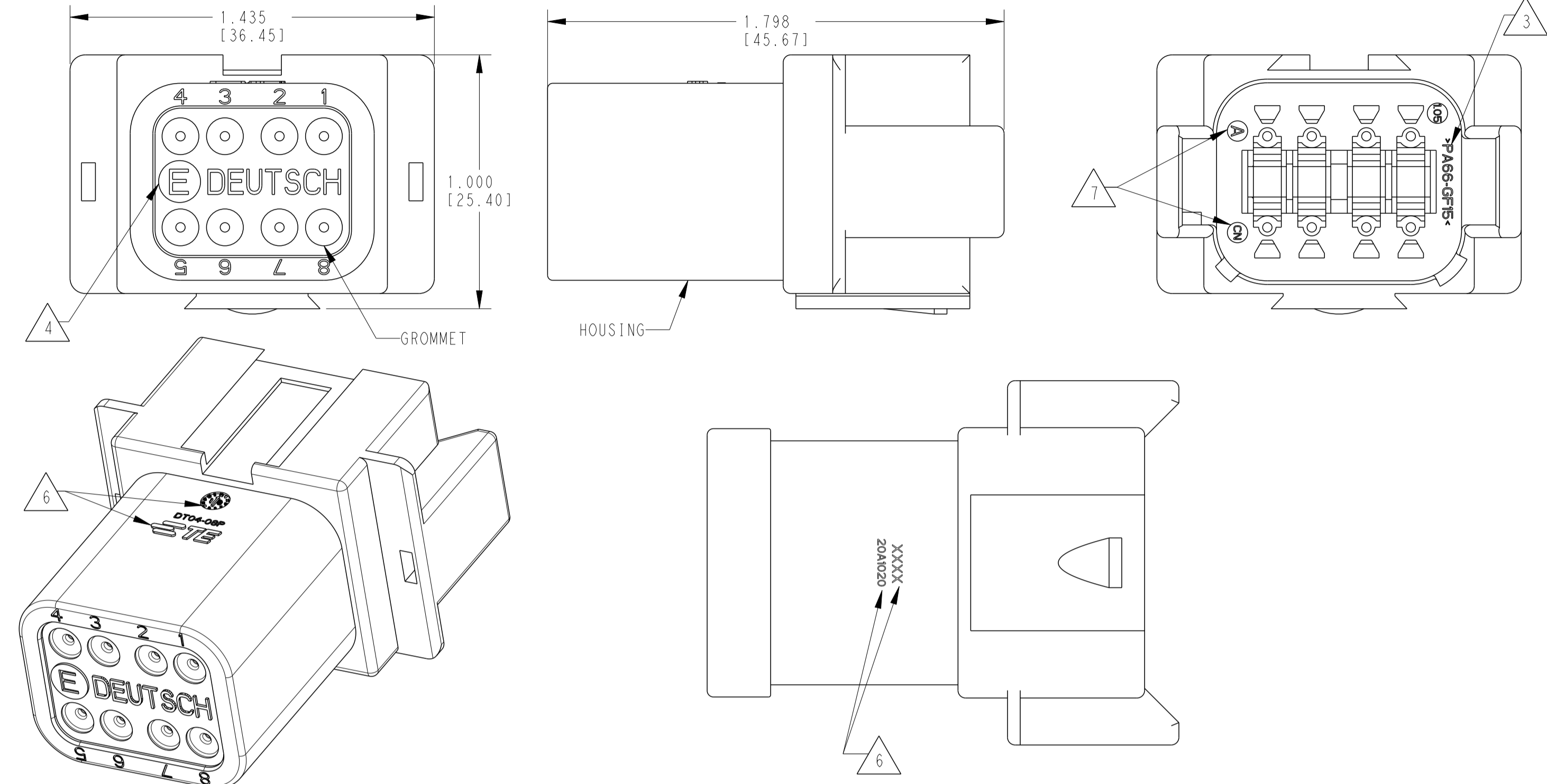


FIGURE 2 SHORT CAP

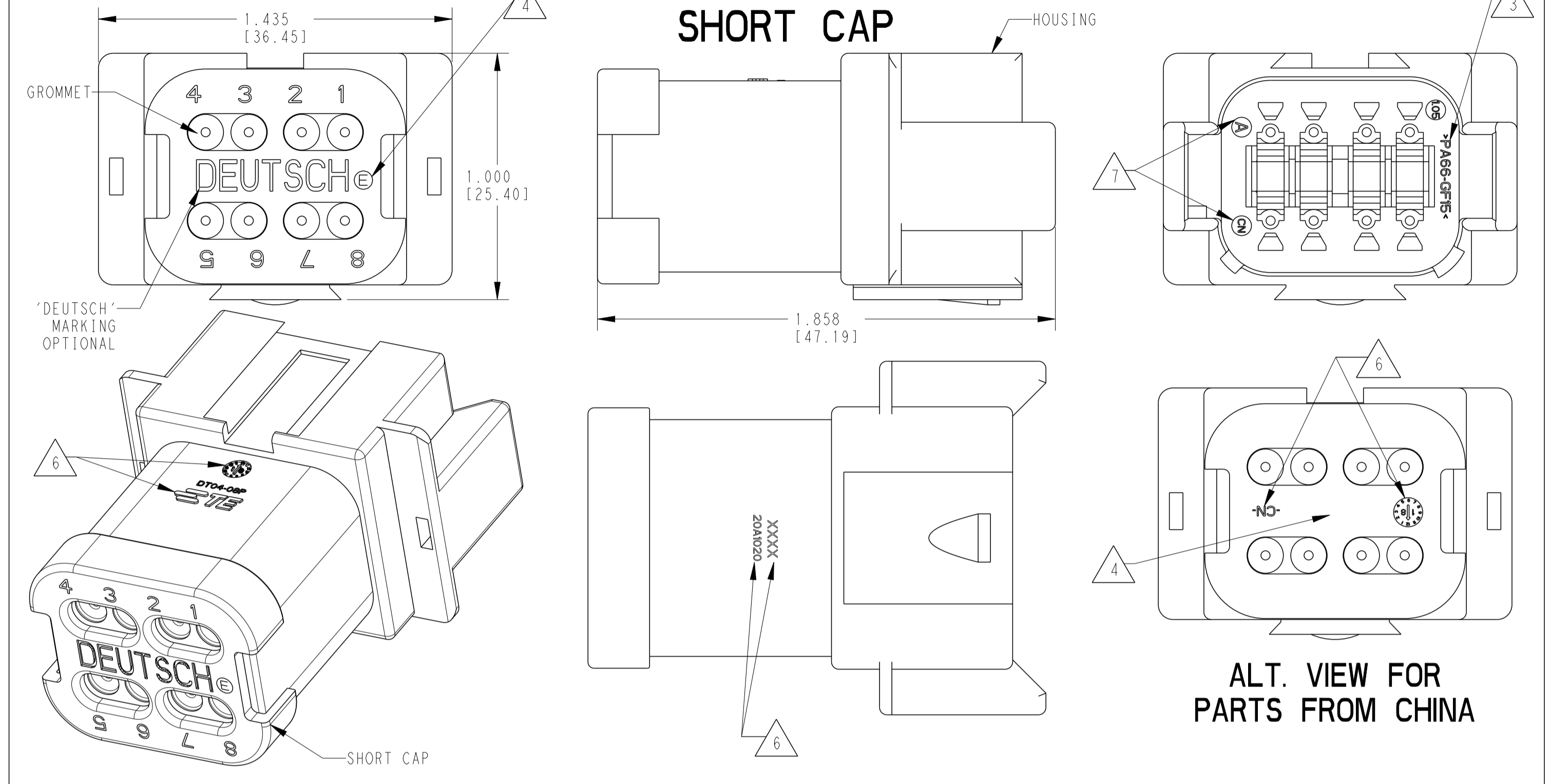
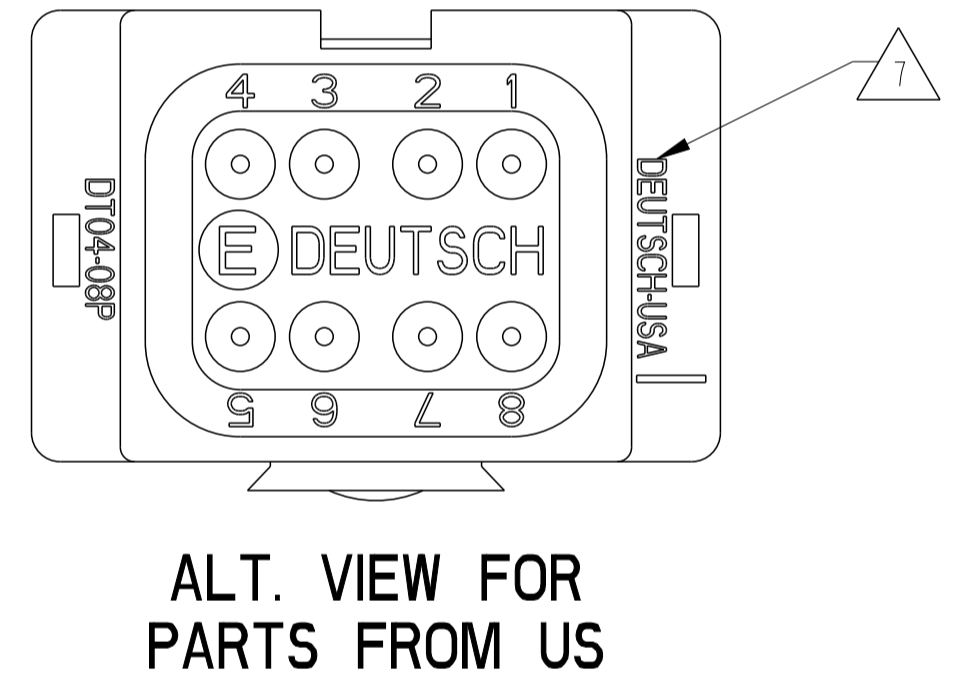
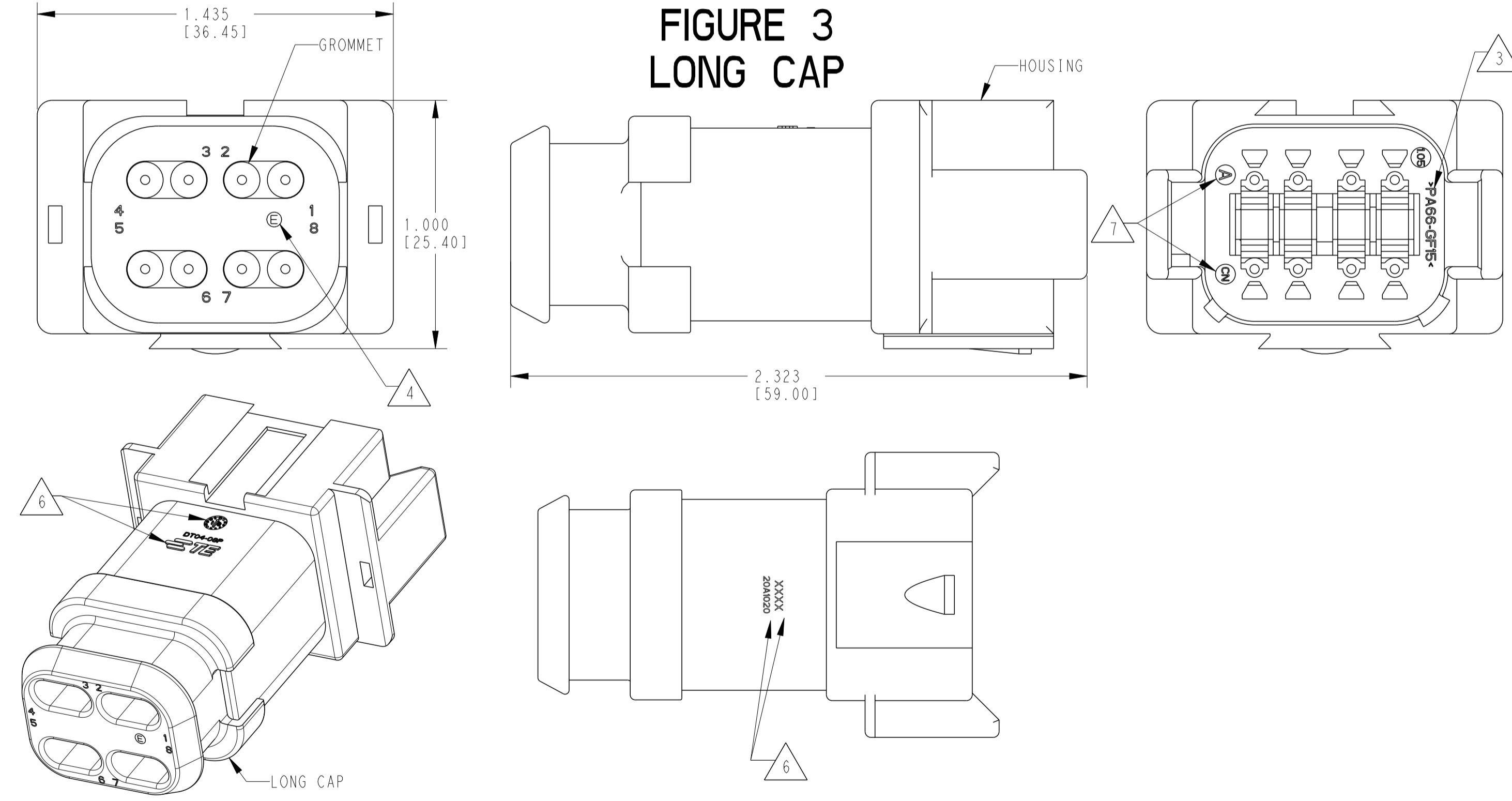


FIGURE 3 LONG CAP



CONTACT SIZE	WIRE RANGE	INSULATION OD SEALING RANGE	SEAL IDENTIFICATION
16	14-20 AWG [2.5-0.5mm ²]	.088-.145 [2.23-3.68]	STANDARD SEAL
		.053-.120 [1.35-3.05]	EXTRA THIN SEAL E-SEAL

TE INTERNAL PART NUMBER	DEUTSCH PART NUMBER	PN REV	COLOR	STANDARD SEAL	EXTRA THIN SEAL E-SEAL	BLOCKED SEAL	SHORT CAP	LONG CAP	FIGURE
DT04-08PX	DT04-08PX	A	ALL	X					1
DT04-08PX-C015	DT04-08PX-C015	F	ALL		X				1
DT04-08PX-C017	DT04-08PX-C017	A	ALL			X	X		2
DT04-08PX-CE01	DT04-08PX-CE01	C	ALL		X		X		2
DT04-08PA-CE02	DT04-08PA-CE02	B	BLACK		X				1
DT04-08PA-CE03	DT04-08PA-CE03	B	BLACK		X		X		2
DT04-08PA-CE04	DT04-08PA-CE04	B	GRAY		X			X	3
DT04-08PA-CE09	DT04-08PA-CE09	AC	BLACK		X			X	3
DT04-08PA-CE26	DT04-08PA-CE26	A	BLACK			X	X		2
DT04-08PX-E003	DT04-08PX-E003	A	ALL	X			X		2
DT04-08PA-E004	DT04-08PA-E004	A	BLACK	X					1
DT04-08PA-E005	DT04-08PA-E005	A	BLACK	X			X		2
DT04-08PX-E008	DT04-08PX-E008	A	ALL	X				X	3
DT04-08PA-EE01	DT04-08PA-EE01	A	BLACK	X				X	3
DT04-08PX-EP04	DT04-08PX-EP04	C	ALL	X			X		2
DT04-08PX-P004	DT04-08PX-P004	C	ALL	X					1

4. "E" IDENTIFIES E-SEAL, LOCATED APPROX. AS SHOWN.
 3. MATERIAL: HOUSING: PA66 GF15, SEE TABLE FOR COLOR
 SHORT, LONG CAP: PA66 GF15, SEE LABEL FOR COLOR
 GROMMET: E-SEAL VMO (BURNT ORANGE)
 N-SEAL VMO (RED-ORANGE)
 BLOCKED VMO (RED-ORANGE)
 2. THIS RECEPTACLE MATES WITH DT06-08SX-XXXX PLUG
 (X = A,B,C,D KEY, XXXX = ALL MODIFICATIONS)
 1. SECONDARY WEDGE LOCK SOLD SEPARATELY: W8P-XXXX.
 (XXXX = ALL MODIFICATIONS)
 NOTES: UNLESS OTHERWISE SPECIFIED
 MARKING FOR PARTS PRODUCED IN CHINA:
 -XXXX IDENTIFIES THE MODIFICATION NUMBER, IF APPLICABLE. EXAMPLE: "E003" FOR DT04-08PA-E003, OR BLANK FOR DT04-08PA
 -DATE CODE: IDENTIFIES THE YEAR, MONTH, DAY AND HOUR OF ASSEMBLY.
 YEAR: FIRST AND SECOND DIGIT. (17 = 2017)
 MONTH: THIRD DIGIT, EXCLUDING 1. A = JAN, B = FEB, C = MARCH ... (K = OCTOBER)
 DAY: FOURTH AND FIFTH DIGITS (14 = 14th DAY)
 HOUR: SIXTH AND SEVENTH DIGITS (11 = 11AM)
 -DIAL DATE CODE LOCATED ON HOUSING AND/OR CAP.
 -CN LOCATED ON HOUSING AND/OR CAP.
 5. FOR CONTACT AND WIRE PERFORMANCE AND APPLICATION CHARACTERISTICS SEE CUSTOMER DRAWING 0425-015-0000.

7. MARKING FOR PARTS PRODUCED IN US:
 -DATE CODE:
 YEAR TO BE LAST NUMERICAL DIGIT, EX: 1 = 2021
 MONTH USES SEQUENTIAL ALPHA CHARACTERS, EX: A = JANUARY
 -DEUTSCH

THIS DRAWING IS A CONTROLLED DOCUMENT.

DIMENSIONS: IN [mm]
 TOLERANCES UNLESS OTHERWISE SPECIFIED:
 0 PLC ±
 1 PLC ±
 2 PLC ±
 3 PLC ±.025 (0.64)
 4 PLC ±
 ANGLES 40°±0.1°
 FINISH

MATERIAL: 3

DWG: A. POLO 16DEC2021
 CHK: R. MESSENGER 16DEC2021
 APPD: J. GRANICHAROVA 16DEC2021
 PRODUCT SPEC: 108-151009
 APPLICATION SPEC: 114-151009
 WEIGHT: 114-151009

NAME: 8 WAY RECEPTACLE, STANDARD SEAL EXTRA THIN SEAL, SHORT AND LONG CAP, DT SERIES
 SIZE: 4AFU8
 CAGE CODE: DT04-08PX-XXXX
 CUSTOMER DRAWING: SCALE 2:1 SHEET 1 OF 2 REV A1

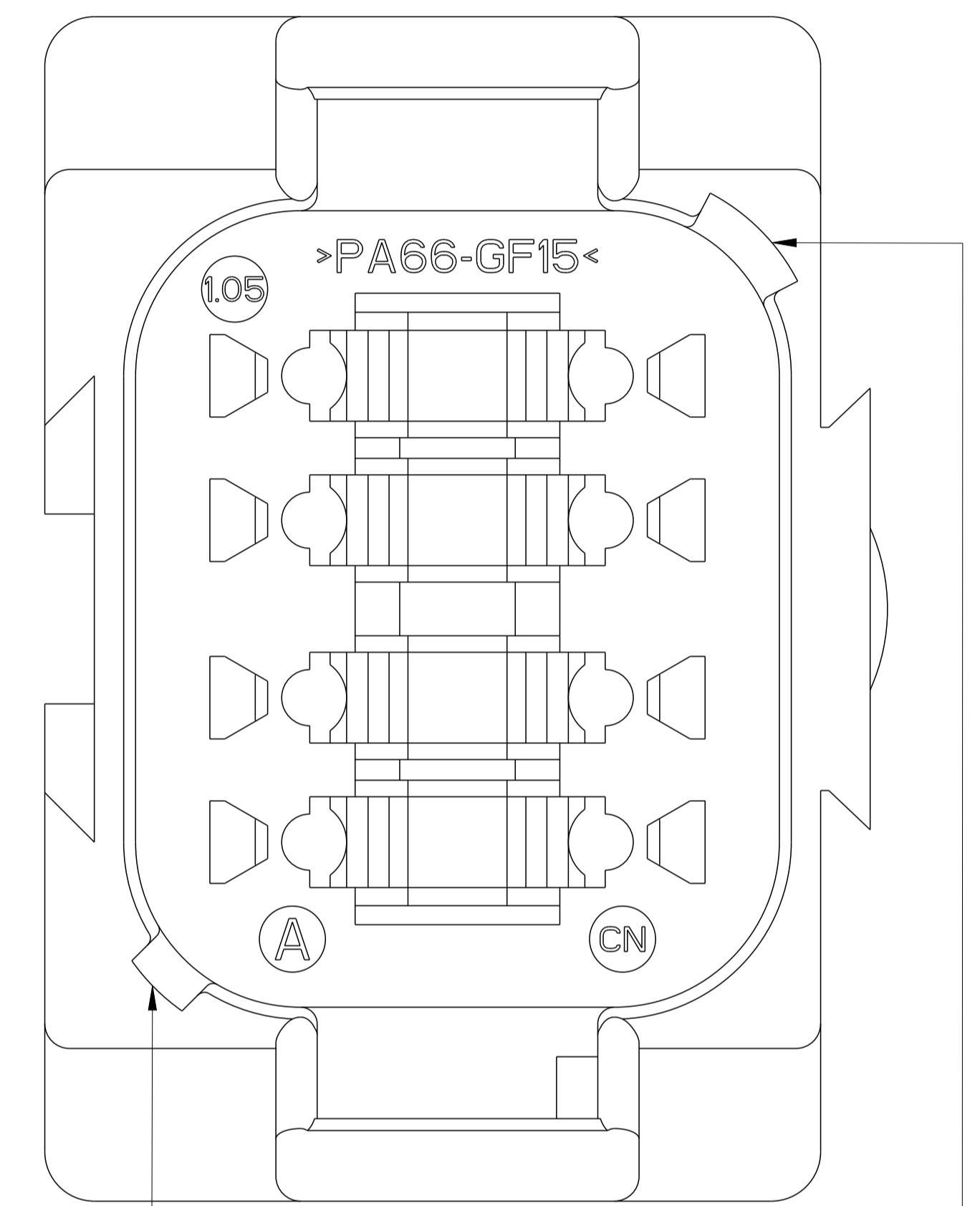
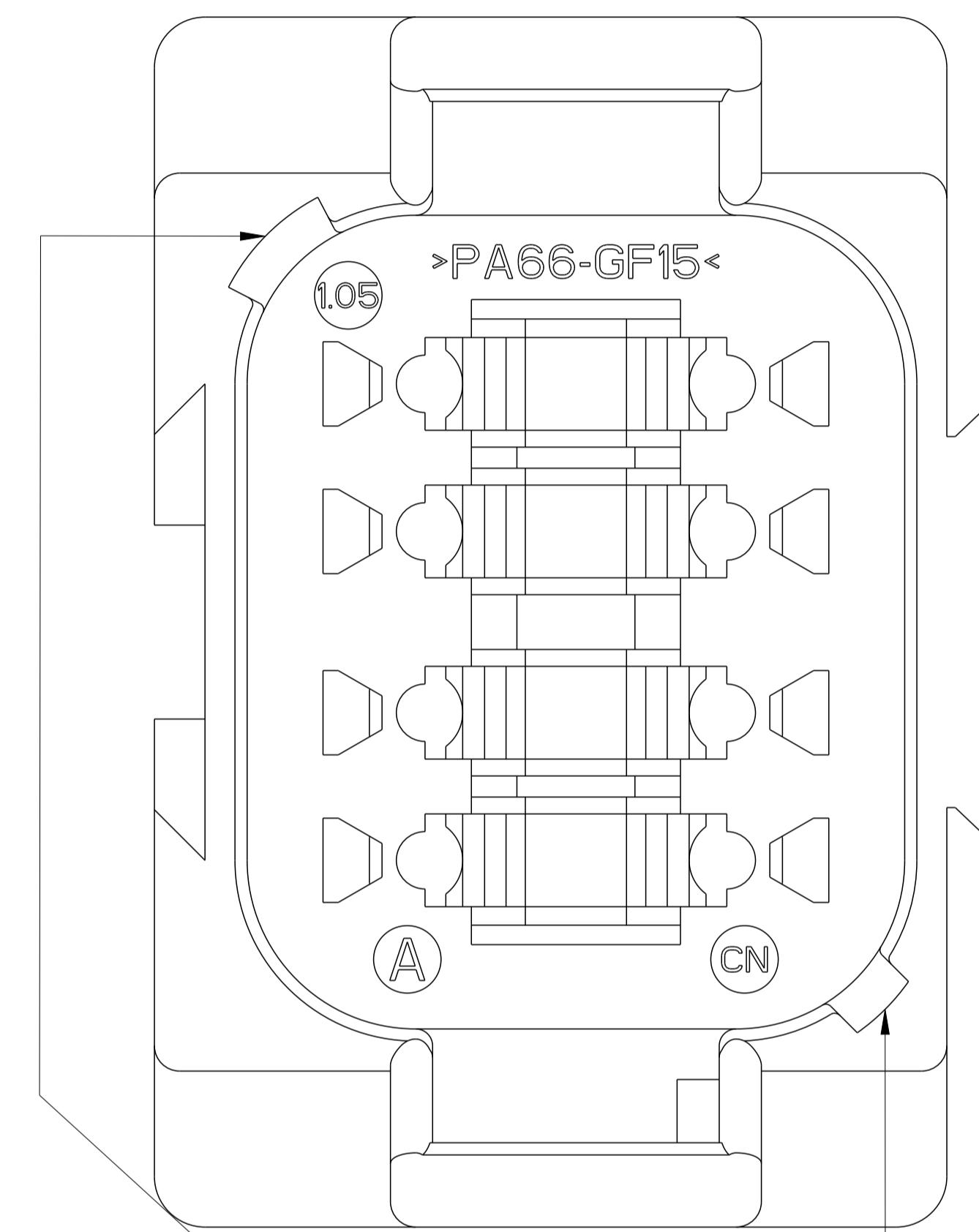
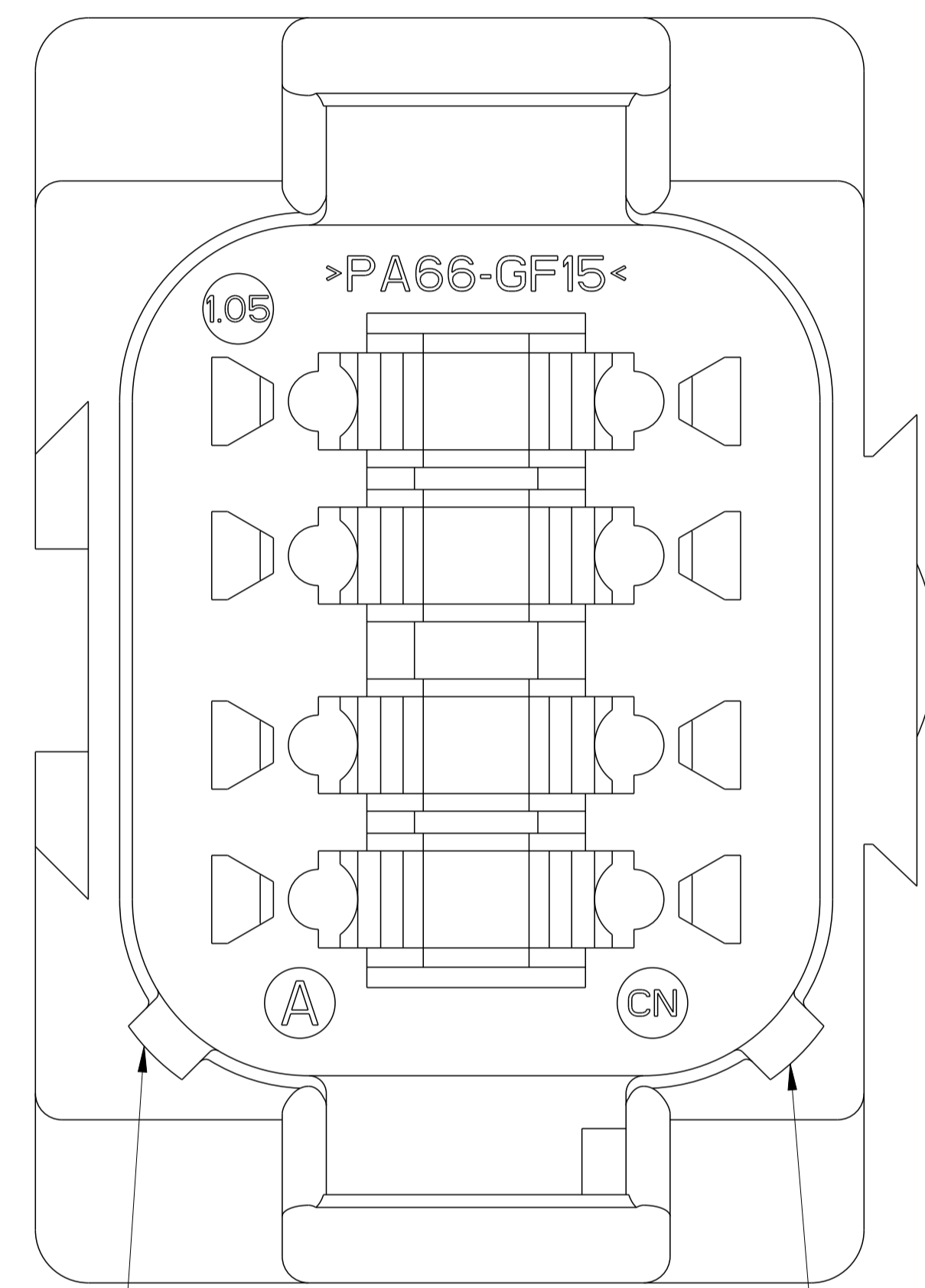
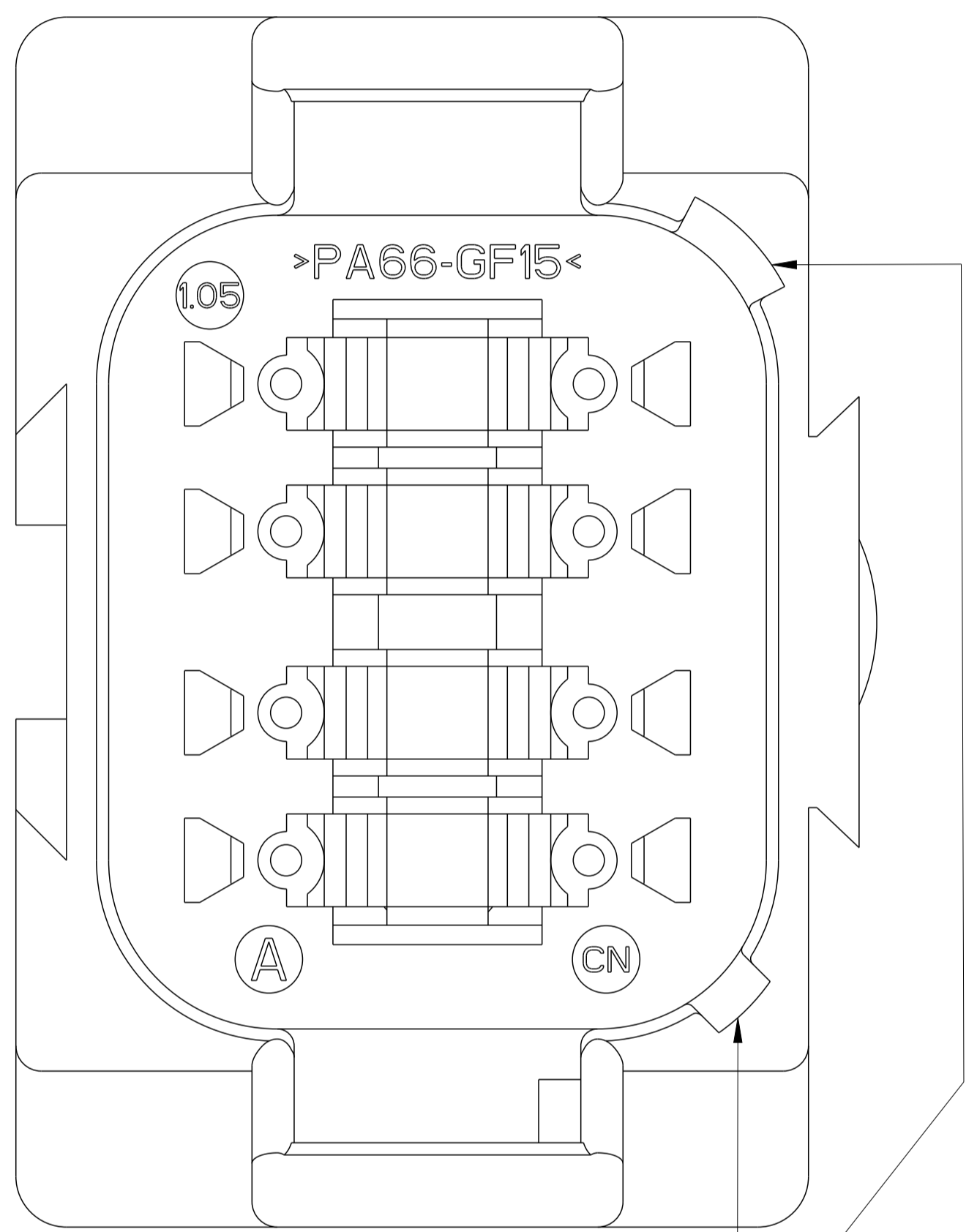
REVISIONS				
P	LTN	DESCRIPTION	DATE	APVD
-		SEE SHEET 1	-	-

DT04-08PA-XXXX
 KEY -A-
 COLOR: GRAY
 SEE PN TABLE FOR BLACK PNs

DT04-08PB-XXXX
 KEY -B-
 COLOR: BLACK

DT04-08PC-XXXX
 KEY -C-
 COLOR: GREEN

DT04-08PD-XXXX
 KEY -D-
 COLOR: BROWN



KEY -A-

KEY -B-

KEY -C-

KEY -D-

THIS DRAWING IS A CONTROLLED DOCUMENT.		DWN: A. POLO 16DEC2021	
		CHK: R. MESSENGER 16DEC2021	
DIMENSIONS: IN [mm]		APVD: J. GRANTCHAROVA 16DEC2021	NAME: 8 WAY RECEPTACLE, STANDARD SEAL EXTRA THING SEAL, SHORT AND LONG CAP, DT SERIES SIZE: CAGE CODE DRAWING NO. RESTRICTED TO A 4AFU8 DT04-08PX-XXXX -
0 PLC ± 1 PLC ± 2 PLC ± 3 PLC ±0.25 (0.64) 4 PLC ± ANGLES ±40°30'0"		PRODUCT SPEC: 108-151009 APPLICATION SPEC: 114-151009 WEIGHT:	
MATERIAL: 3		CUSTOMER DRAWING	
		SCALE: 2:1	SHEET 2 OF 2 REV: A1