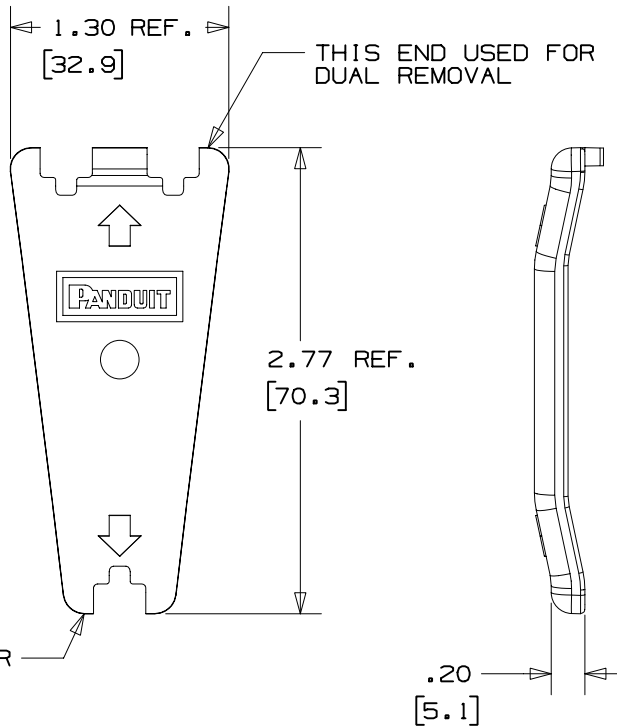


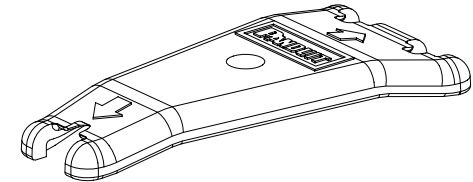
THIS COPY IS PROVIDED ON A RESTRICTED BASIS AND IS NOT TO BE USED IN ANY WAY DETRIMENTAL TO THE INTERESTS OF PANDUIT CORP.



PANDUIT PART NO.	WEIGHT
CPT	.12 LB/10 PCS. (56 g/10 PCS.)

NOTES:

1. SEE CURRENT CATALOG FOR ADDITIONAL PART NUMBER SUFFIXES TO INDICATE PACKAGE QUANTITY.
2. USED TO REMOVE MINI-COM JACKS AND MODULES FROM SNAP-IN PATCH PANELS.
3. DIMENSIONS IN PARENTHESES ARE IN METRIC.



THIS END USED FOR SINGLE REMOVAL

2.77 REF.
[70.3]

.20
[5.1]

CAD FILENAME/LAYERS D35544BY_DC_CPT_00.PRT

PANDUIT CORP. TINLEY PARK, ILLINOIS
SNAP-IN PANEL REMOVAL TOOL
(CPT)
CUSTOMER DRAWING

UNLESS OTHERWISE SPECIFIED,
DIMENSIONAL TOLERANCES ARE:
(.X) ± (.XXX) ±
(.XX) ± .03(.8) ANGLES ±

UNLESS OTHERWISE SPECIFIED,
ALL DIMENSIONS ARE GIVEN
IN INCHES, THIRD ANGLE PROJECTION.

REV	DATE	BY	CHK	DESCRIPTION	ECN	R	CUST	SUP
I	2-10-97	RCA		A. MATERIAL WAS GLASS FILLED NYLON.	35544-23			
R	10-31-96	TA	CEF	RELEASED TO PRODUCTION	35544-23	CEF		

DRAWN BY
TA
DATE
10-31-96
CHK'D
CEF

MAT'L:
ABS/PC
△

SCALE NONE
DRAWING NO.
35544-23
DWG
A
SIZE