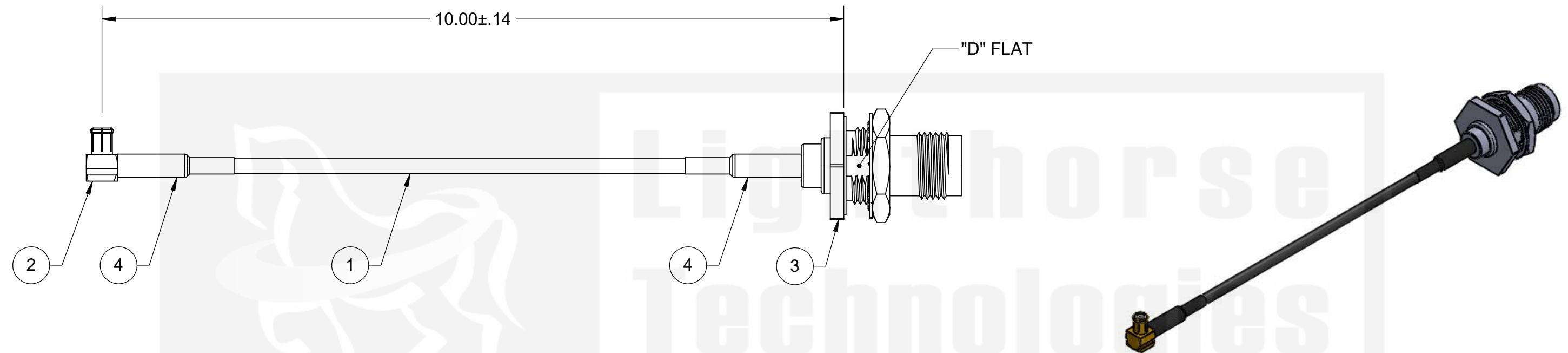


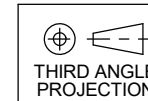
REVISIONS

REV	ECR	DESCRIPTION	DRAWN	DATE
1		ENGINEERING RELEASE	M. LARSEN	03/27/2023



ITEM	PART NUMBER	DESCRIPTION	QTY
1	RG-174	CABLE, RG-174 COAX	AR
2	MXLM11GT-316	MCX, R/A PLUG, CABLE CRIMP	1
3	TSRF13RNT-316-X17	RP-TNC, STRAIGHT, JACK, BLKHD MNT, O-RING, IP67, CABLE CRIMP	1
4	HEAT SHRINK	.125 (1/8) DIA, .75 LENGTH, BLACK	2

DO NOT SCALE DRAWING
 TOLERANCES UNLESS OTHERWISE SPECIFIED
 DIMENSIONS ARE IN MILLIMETERS
 X = ±0.5
 X.X = ±0.25
 X.XX = ±0.13
 ANGLE = ±30'



Lighthouse Technologies
 San Diego, CA
 WWW.RFCONNECTOR.COM

TITLE: CABLE ASSEMBLY, MCX, R/A PLUG, CRIMP TO RP-TNC, STRAIGHT, JACK, O-RING IP67 REAR BULKHD MNT, CRIMP USING RG-174

CUSTOMER APPROVAL

SIGN / DATE:		
ENG APPR.		
CHECKED		
DRAWN	M. LARSEN	03/27/2023
	NAME	DATE

SIZE	PART/DWG. NO:	REV
B	CBE-MXLMGT-TRF3NT-10IN	1
SCALE: 3:2	FILE NAME	SHEET 1 OF 1

PROPRIETARY AND CONFIDENTIAL
 UNLESS OTHERWISE SPECIFIED: THIS DOCUMENT CONTAINS LIGHORSE TECHNOLOGIES INFORMATION. REPRODUCTION, USE, DISCLOSURE OR TRANSMITTAL OF ALL OR ANY PART OF THIS DOCUMENT IS PROHIBITED EXCEPT TO THE EXTENT APPROVED IN WRITING BY AN AUTHORIZED REPRESENTATIVE OF LIGHORSE TECHNOLOGIES. LIGHORSE TECHNOLOGIES RESERVES ALL RIGHTS UNDER PATENTS, TRADEMARKS, COPY RIGHTS AND TRADE SECRETS. COPY RIGHTS OF LIGHORSE TECHNOLOGIES 2011, ALL RIGHTS RESERVED.

