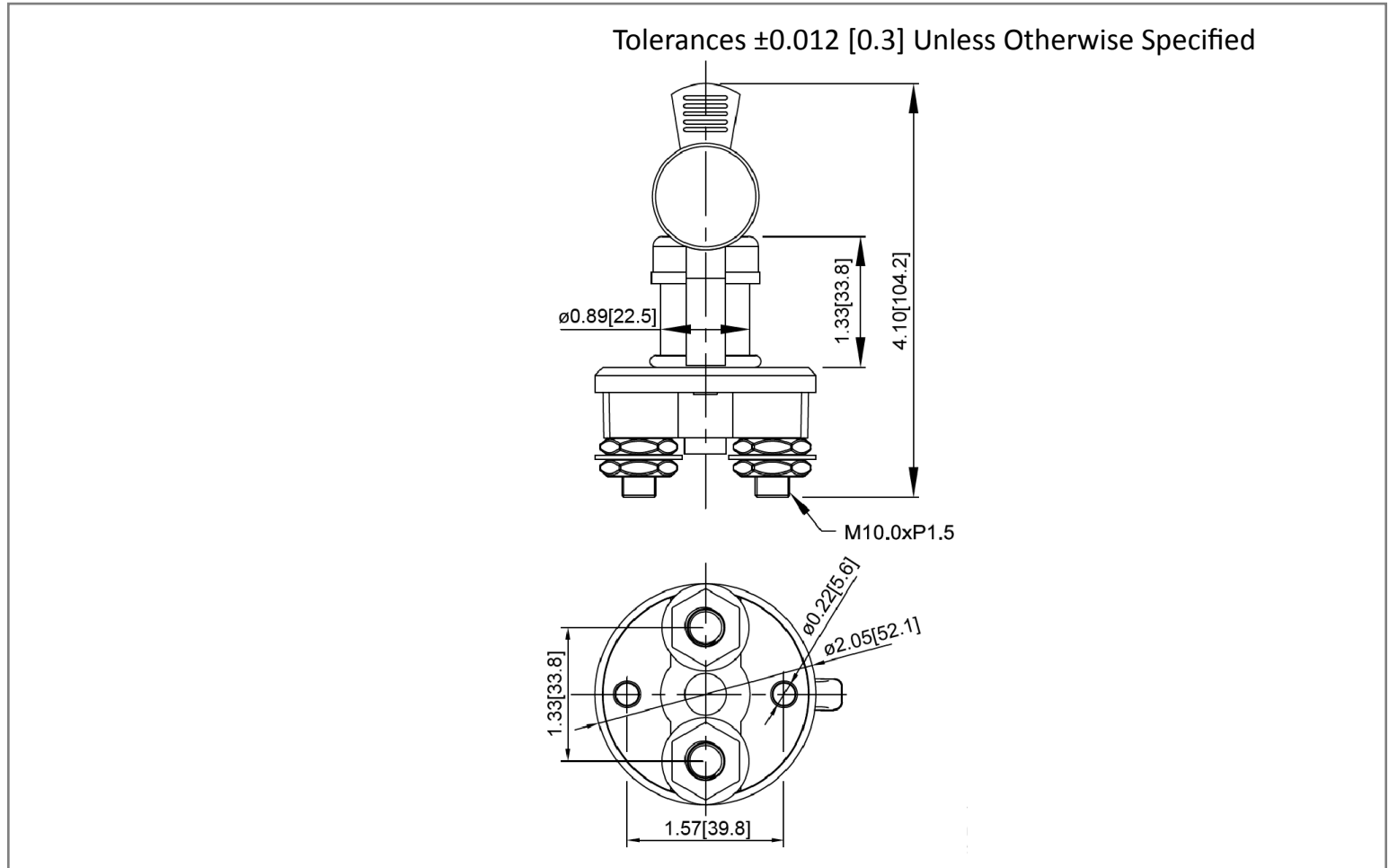
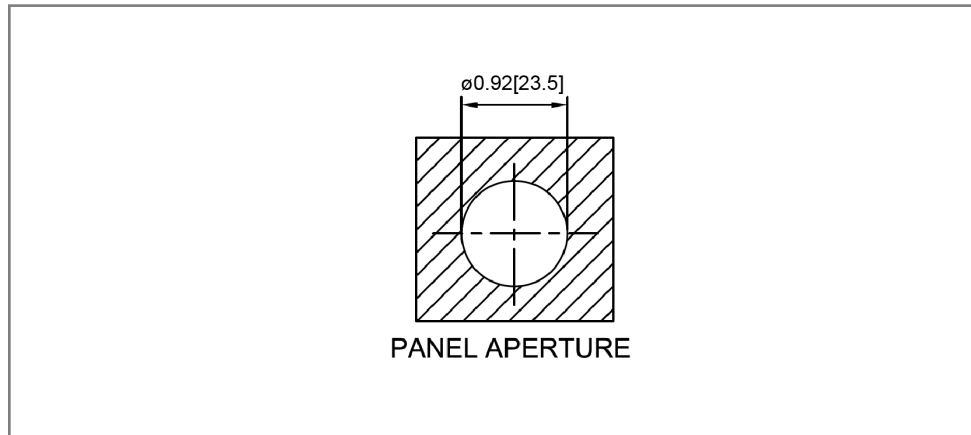


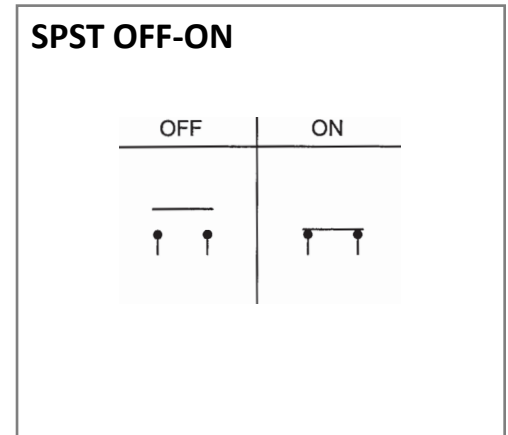
**Mechanical Dimensions: Inches [mm]**



**Mounting Hole**



**Circuit Diagram**



**Electrical Specifications**

<b>Continuous Rating</b>	300A 12V DC
<b>Intermittent Rating</b>	800A

**Material Specifications**

<b>Housing</b>	Nitrile Butadiene Rubber
<b>Terminals / Contacts</b>	Copper Alloy
<b>Actuator</b>	POM

**Rev**    **Date of issue**    **Revision Notes**

**Designed**    **Approved**

A	12-14-2020	Initial Drawing	RC	OF
---	------------	-----------------	----	----