

FEATURES

- 40 Pin Dual-In-Line Package
- Ideal for Electron Detection
- Protective Cover Plate³

Electro-Optical Characteristics at 25 °C

Parameters	Test Conditions	Min	Typ	Max	Units
Active Area	2 mm x 5 mm		10		mm ²
Responsivity	(see graphs on next page)				A/W
Reverse Breakdown Voltage, V _R	I _R = 1 μA		25		Volts
Capacitance, C	V _R = 0 V		700	2000	pF
Rise Time	V _R = 0 V		500		nsec
Shunt Resistance (per element)	V _f = ± 10 mV	100			MOhms

Thermal Parameters

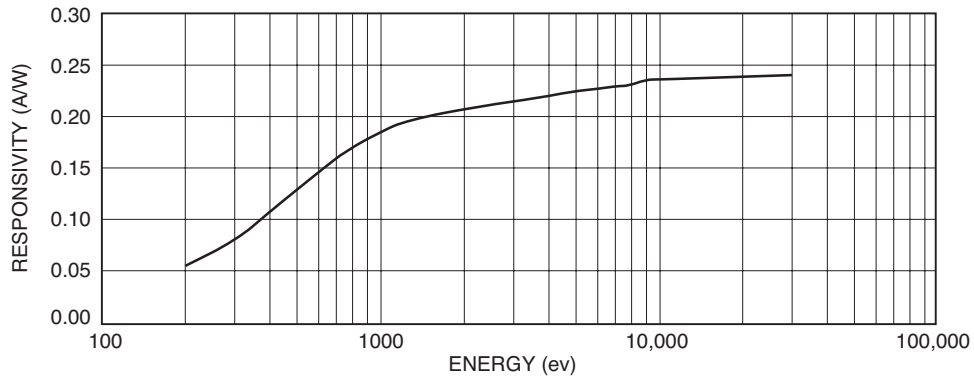
Storage and Operating Temperature Range	Units
Ambient ¹	-10°C to 40°C
Nitrogen or Vacuum	-20°C to 80°C
Maximum Junction Temperature	70°C
Lead Soldering Temperature ²	260°C

¹ Temperatures exceeding these parameters may create oxide growth on the active area. Over time responsivity to low energy radiation and wavelengths below 150 nm will be compromised.

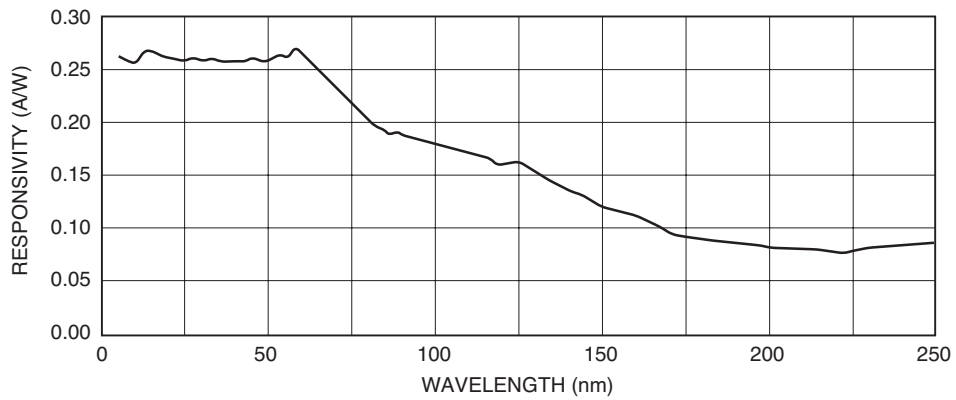
² 0.080" from case for 10 seconds.

³ Shipped with temporary cover to protect the photodiode array and wire bonds. Review the Application Note, "Handling Precautions for AXUV, SXUV, and UVG Detectors", prior to removing cover.

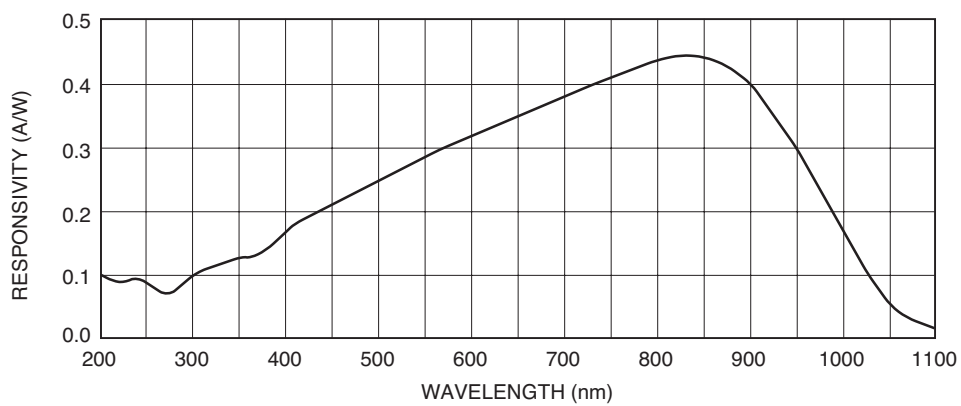
Typical Electron Response



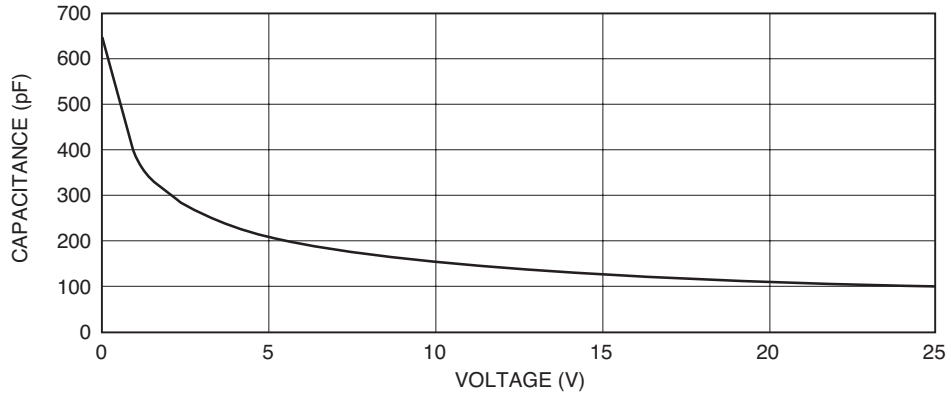
Typical EUV-UV Photon Response



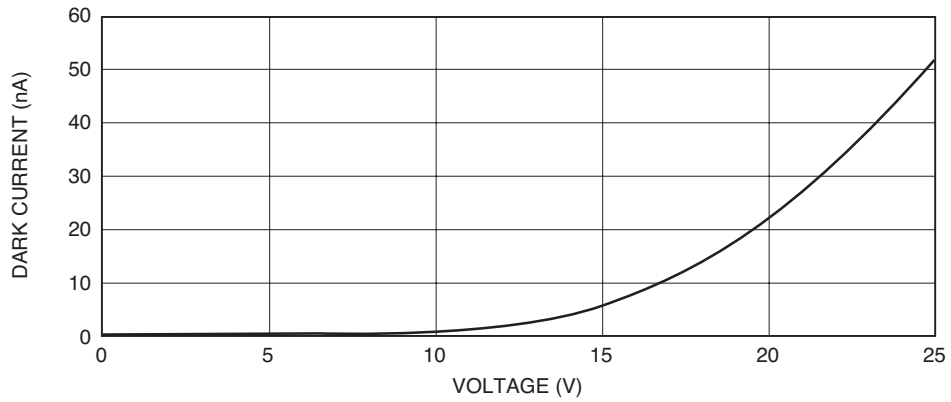
Typical UV-VIS-NIR Photon Responsivity



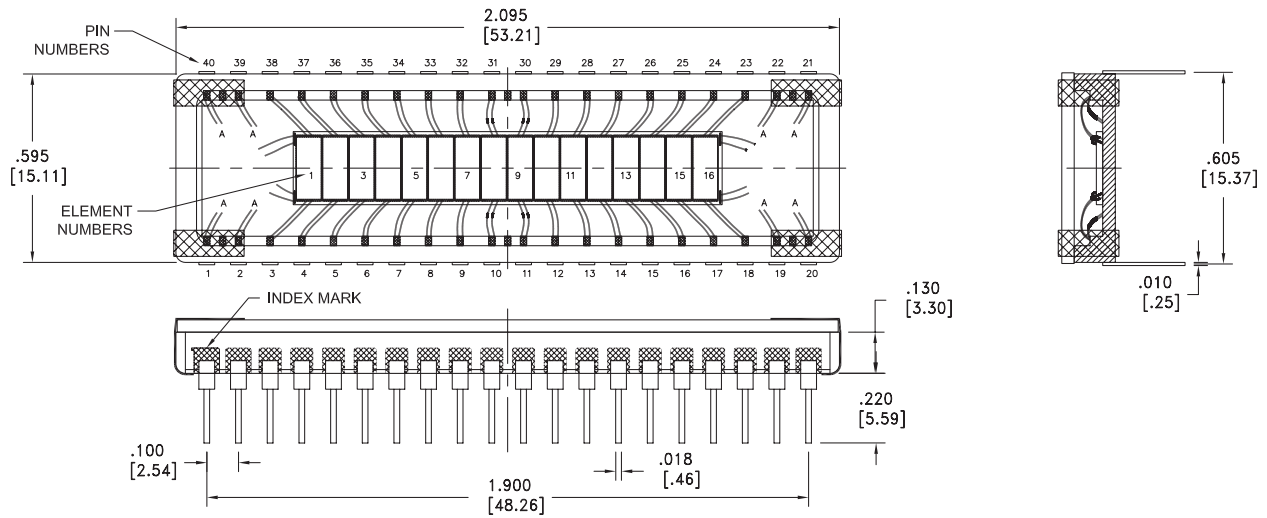
Capacitance vs. Voltage



Dark Current vs. Voltage



Package Information



Dimensions are in inch [metric] units.

Pin Description

Pins	Connection	Pins	Connection
1, 2, 19, 20	Common Anode	11, 30	Cathode Element 9
21, 22, 39, 40	Common Anode	12, 29	Cathode Element 10
3, 38	Cathode Element 1	13, 28	Cathode Element 11
4, 37	Cathode Element 2	14, 27	Cathode Element 12
5, 36	Cathode Element 3	15, 26	Cathode Element 13
6, 35	Cathode Element 4	16, 25	Cathode Element 14
7, 35	Cathode Element 5	17, 24	Cathode Element 15
8, 33	Cathode Element 6	18, 23	Cathode Element 16
9, 32	Cathode Element 7		

Specifications are subject to change without prior notice.