



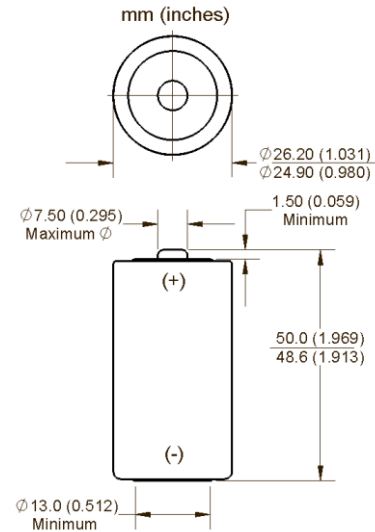
Rayovac Stock Number: 814, 814 OEMF

Name: 14A/AC C Alkaline Battery

Specifications

Chemistry: Alkaline (Zinc-Manganese Dioxide)
Designation: ANSI - 14A, IEC – LR14
Nominal Voltage: 1.5 volts
Approximate Weight: 2.28 Oz (64.5 grams)
Approximate Volume: 1.44 CU IN (23.6 cc)
Operating Temp: -30°C to 55°C (-20°F to 130°F)
Shelf Life: 10 years at 21°C
Terminals: Flat Contact
Case material: Plastic Film
Environmental: No mercury added formulation. Meets Environmental Protection Agency (EPA) requirements for landfill disposal.
[Rayovac Material Safety Sheets](#)

IEC Standard Dimensions



Typical Service Life – ANSI Application Tests

Application and Duty Cycle	Discharge Load	Service
Stereo 2 hr/day	400 mA	13.6 hours
Lighting 4 min/15 min, 8 hr/day	3.9 Ω	21.8 hours
Toy 1 hr/day	3.9 Ω	23.2 hours

Discharge Curves (Continuous Load)

