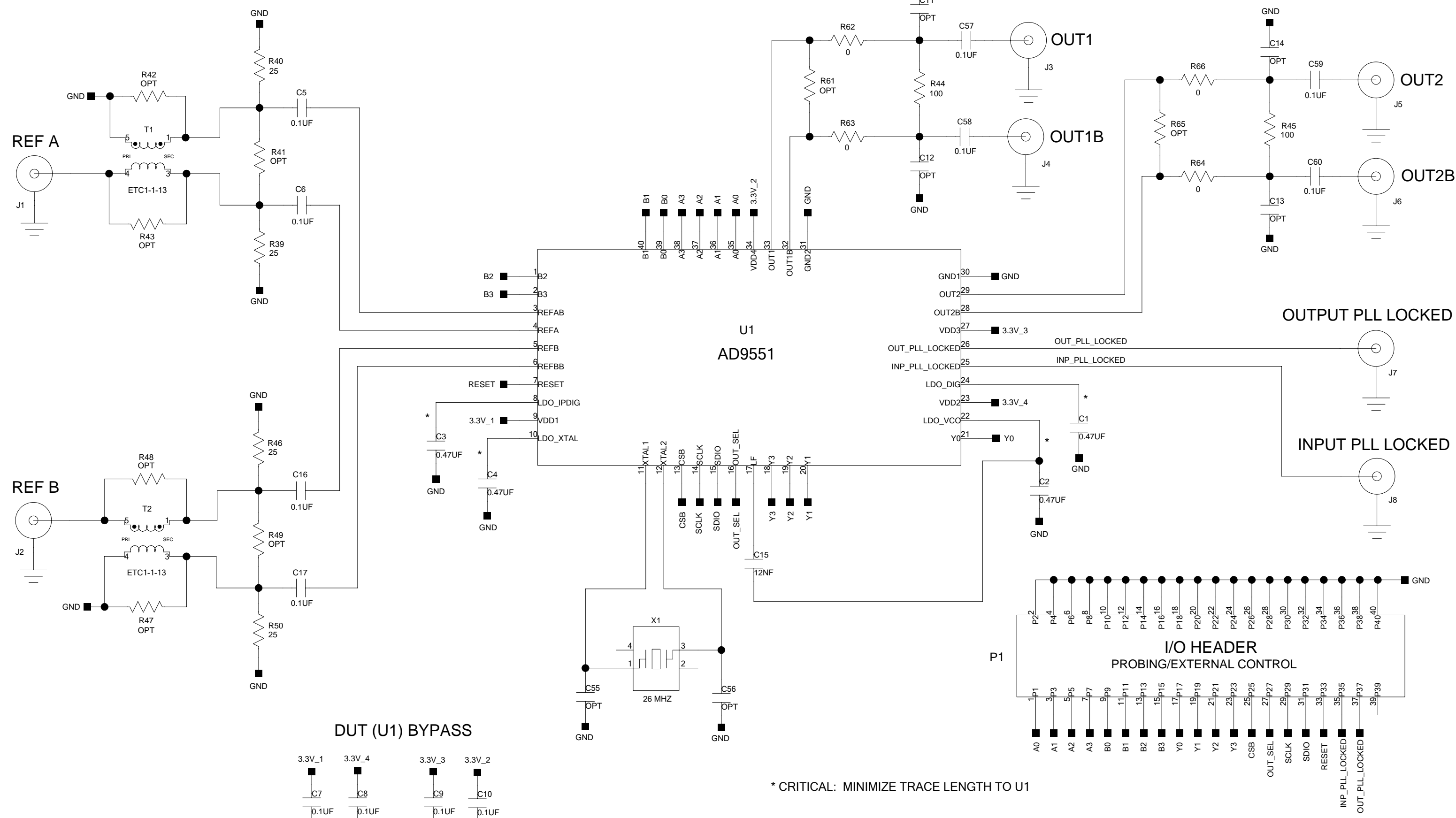
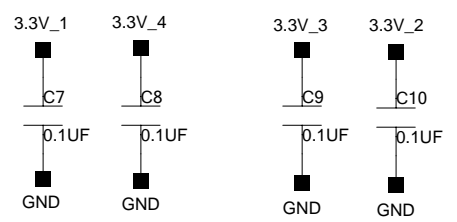


REVISIONS			
REV	DESCRIPTION	DATE	APPROVED



DUT (U1) BYPASS

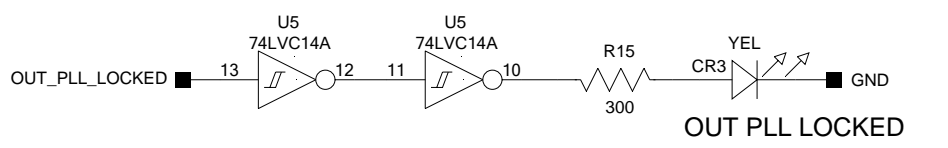
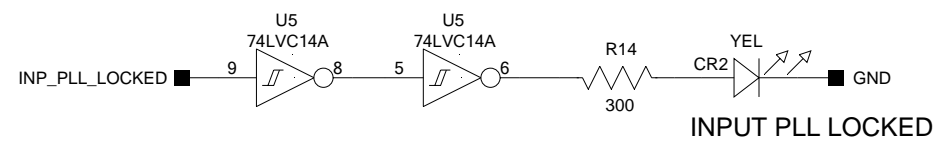
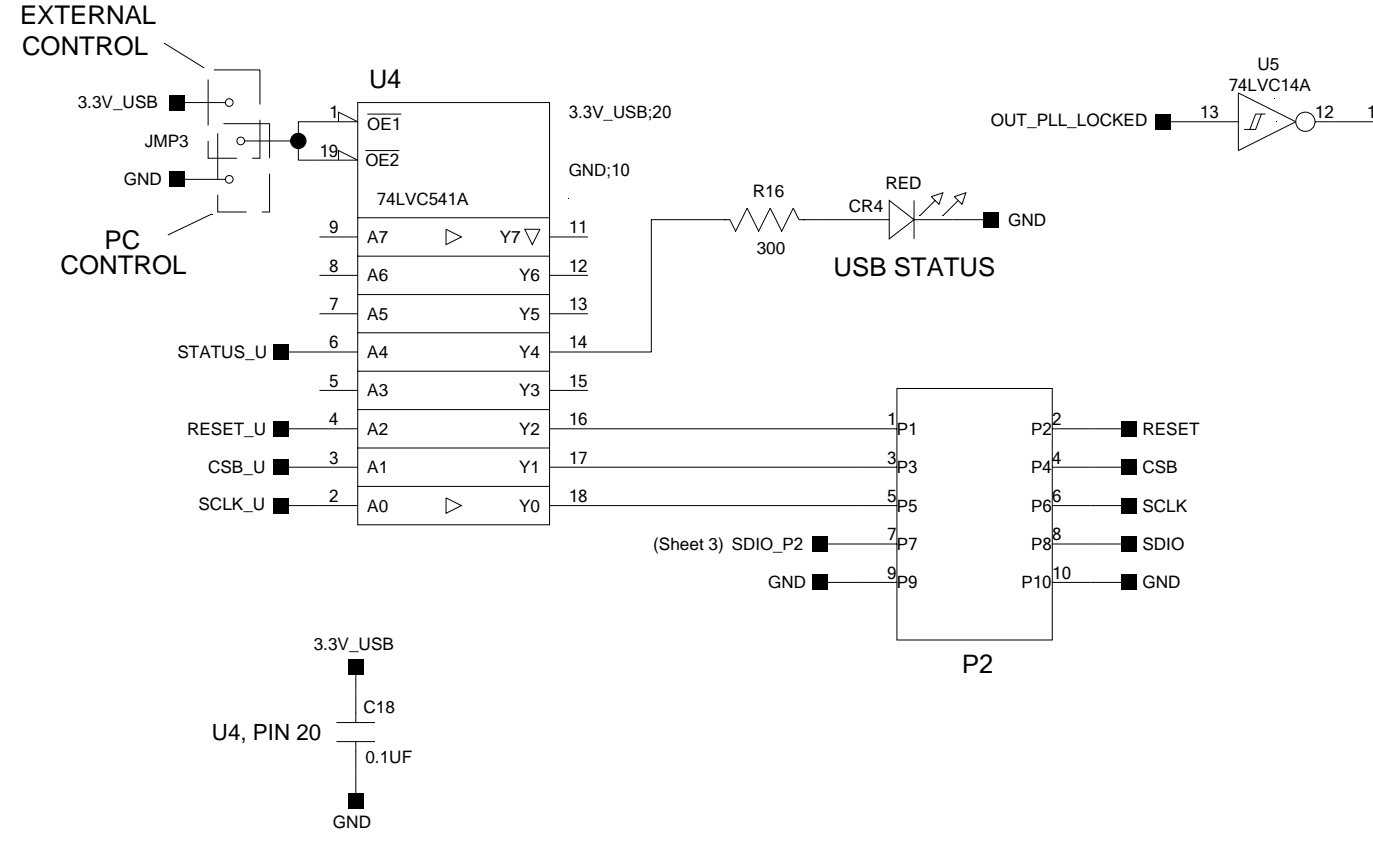


\* CRITICAL: MINIMIZE TRACE LENGTH TO U1

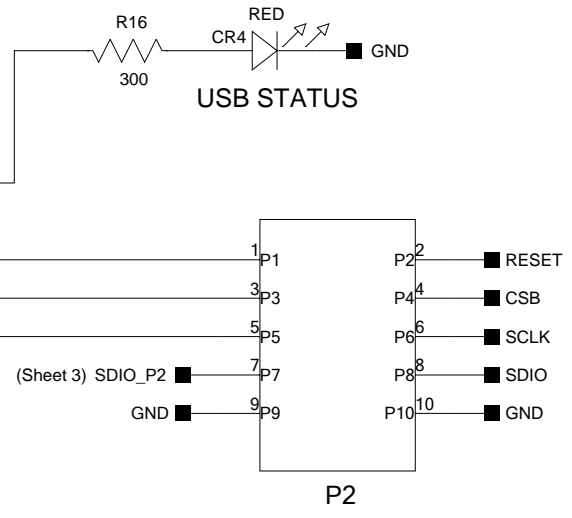
	CSS GREENSBORO 7910 TRIAD CENTER DRIVE GREENSBORO, NC 27409	TITLE <b>AD9551 EVALUATION BOARD</b>	REV <b>D</b>
	DATE: 25 NOV 2008	SHEET 1 OF 4	DRAWING NUMBER

REVISIONS			
REV	DESCRIPTION	DATE	APPROVED

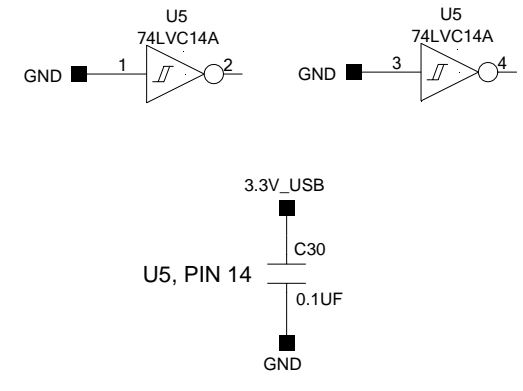
### USB I/O



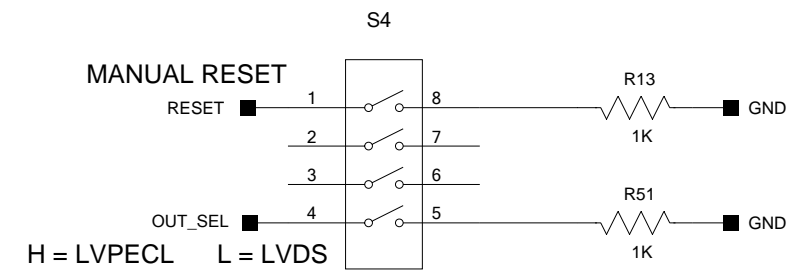
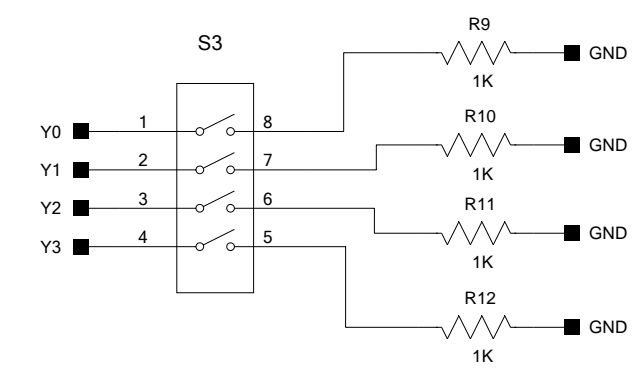
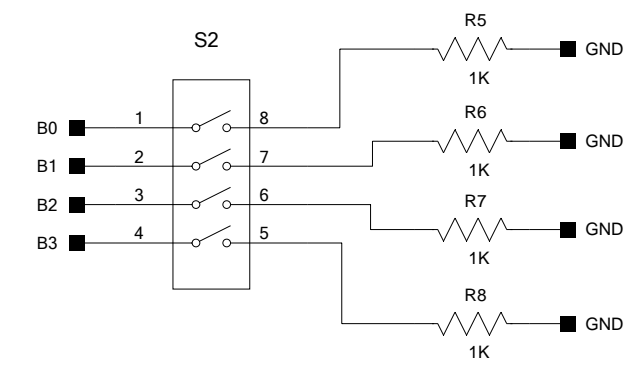
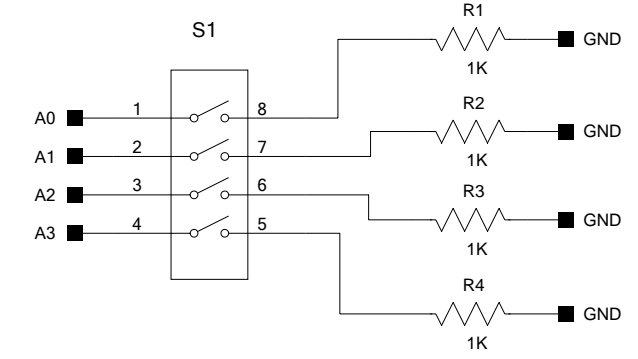
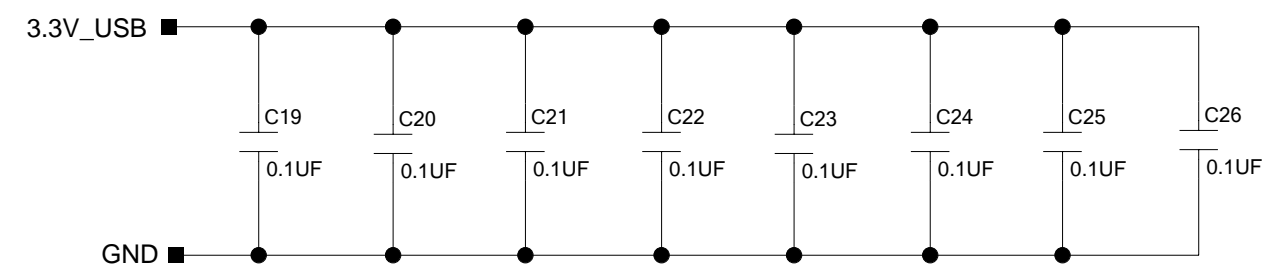
### USB STATUS



### UNUSED U5 INPUTS



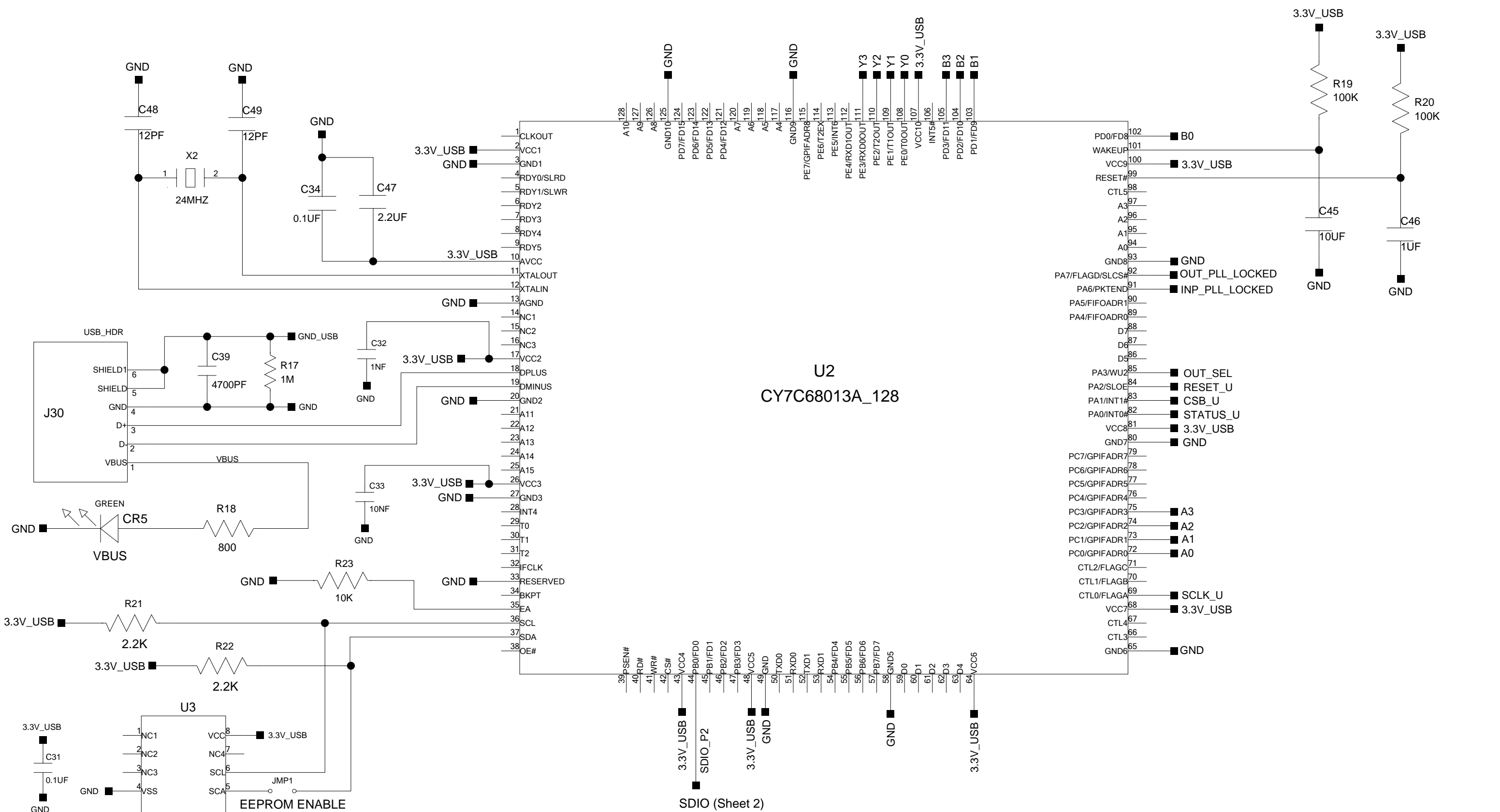
### U2 BYPASS CAPACITORS



	CSS GREENSBORO 7910 TRIAD CENTER DRIVE GREENSBORO, NC 27409	TITLE <b>AD9551 EVALUATION BOARD</b>	
	DATE: 25 NOV 2008	SHEET 2 OF 4	DRAWN BY: W. CLARK

REVISIONS			
REV	DESCRIPTION	DATE	APPROVED

### USB I/O



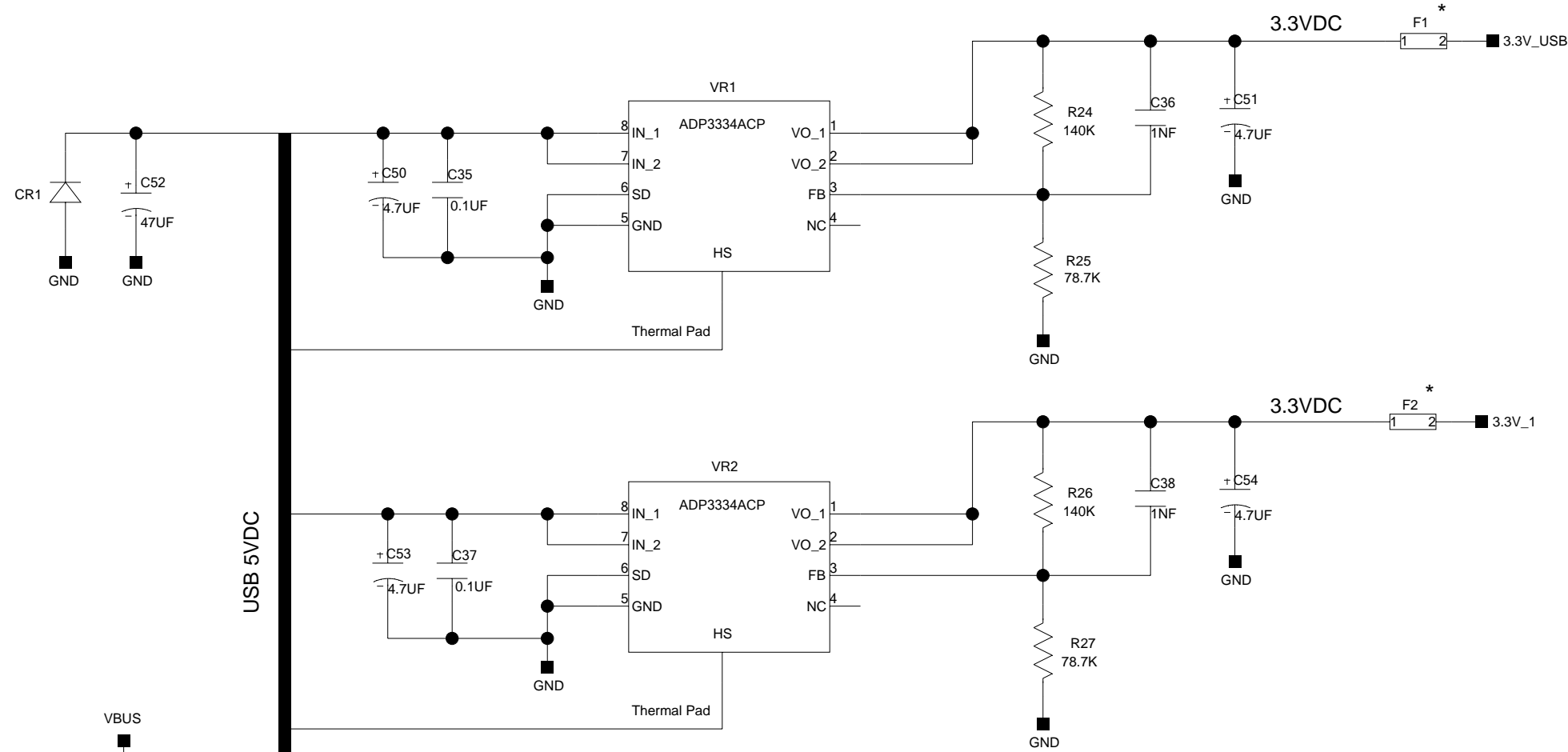
U2  
CY7C68013A\_128

SDIO (Sheet 2)

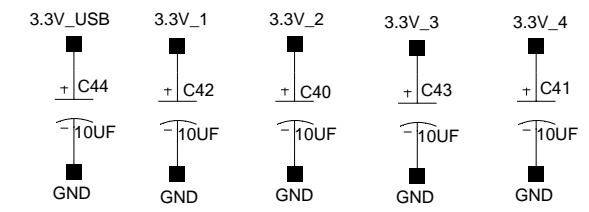
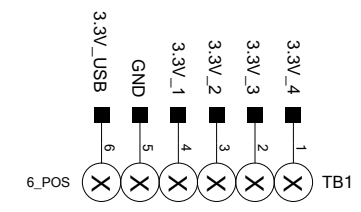
	CSS GREENSBORO 7910 TRIAD CENTER DRIVE GREENSBORO, NC 27409	TITLE <b>AD9551 EVALUATION BOARD</b>
	DATE: 25 NOV 2008	SHEET 3 OF 4
DRAWN BY: W. CLARK	REV <b>D</b>	

REVISIONS			
REV	DESCRIPTION	DATE	APPROVED

### LDO REGULATORS

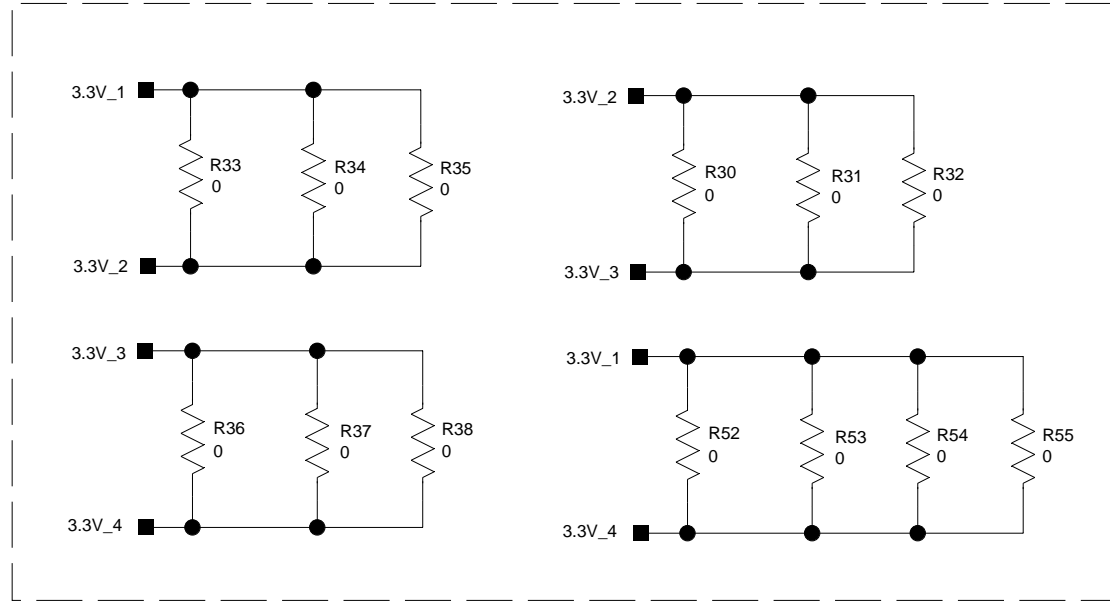


### OPTIONAL EXTERNAL POWER SUPPLIES



### POWER PLANE STITCHING

INSTALL IF USING REGULATORS FOR ALL 3.3V SUPPLIES (INSTEAD OF TB1)  
 REMOVE AS REQUIRED IF USING TB1 TO PROVIDE SEPARATE 3.3V SUPPLIES



**\* ATTENTION!**  
 REMOVE CORRESPONDING FERRITE TO DISCONNECT VR1 AND/OR VR2  
 BEFORE APPLYING EXTERNAL POWER TO TB1

### OPT. EXTERNAL 5VDC

STD BOM: DO NOT INSTALL TB2

**\*\* ATTENTION!**  
 REMOVE R28 AND R29 BEFORE APPLYING POWER TO TB2

