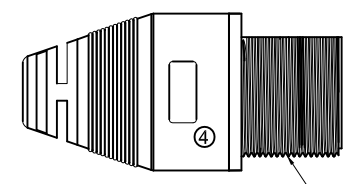


Conn.

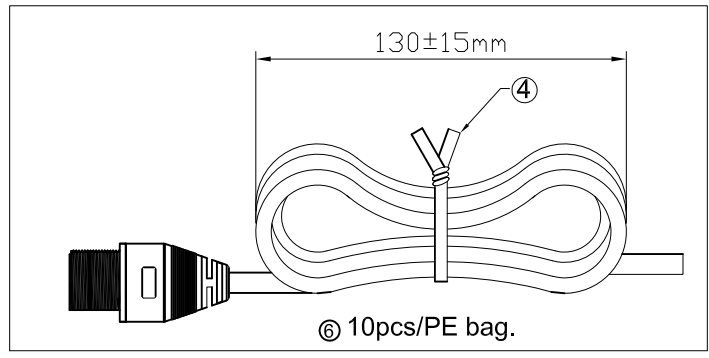
WIRE LIST

PAIR	COLOR	P1
—	RED	1
—	WHITE	2
XX	GREEN	3
—	BLACK	4
—	DRAIN	SHELL

③ OPEN



- ④ TESTING CONDITIONS:
- VOLTAGE: 300V DC/0.01S.
 - INSULATION RESISTANCE: 10MΩ Min.
 - CONDUCTIVE RESISTANCE: 5Ω Max.
 - 100% OPEN AND SHORT ELECTRICAL TEST.
- Waterproof rate:IP67



ITEM	SPECIFICATION	QTY	UNIT
③	ABS 94V-0, BLACK, 13/16" -28UN SHELL	12	G
⑤	USB A/F CONNECTOR SOLDER	1	SET
①	USB 2.0 28AWG*1P+24AWG*2C+AL.MY+D+B JACKET BLACK PVC OD=5.0±0.2mm(UV RESISTANT)	1	PCS

RoHS compliant
unit:mm

Scale	Free	⑥	Update the packing	21.05.2019	Segal	Date	Name	Customer-No.
TOLERANCE ±0.5	⑤	Correct description of USB	20.05.2019	Amy	Drawn	19.01.2004	Hellwig	ASSMANN WSW-No. A-KAB-USBA-FS-1M
	④	Cancel "A" logo Add testing conditions and table list	03.04.2018	Amy	Approved	21.05.2019	Amy	
	③	Update pin	06.03.2014	Joanna				
	②	Update	07.07.2009	Dean				Drawing-No.
	①	Drawn	19.01.2004	Hellwig				ASS 1577 CA rev06
	Id.	Modification	Date	Name	ASSMANN WSW components		Replace	Sheet