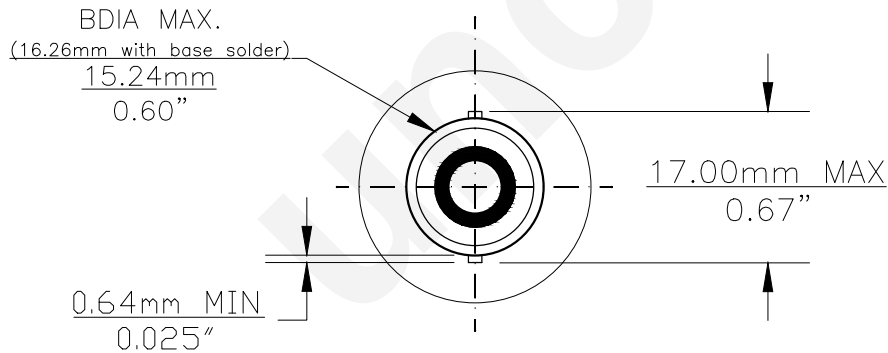
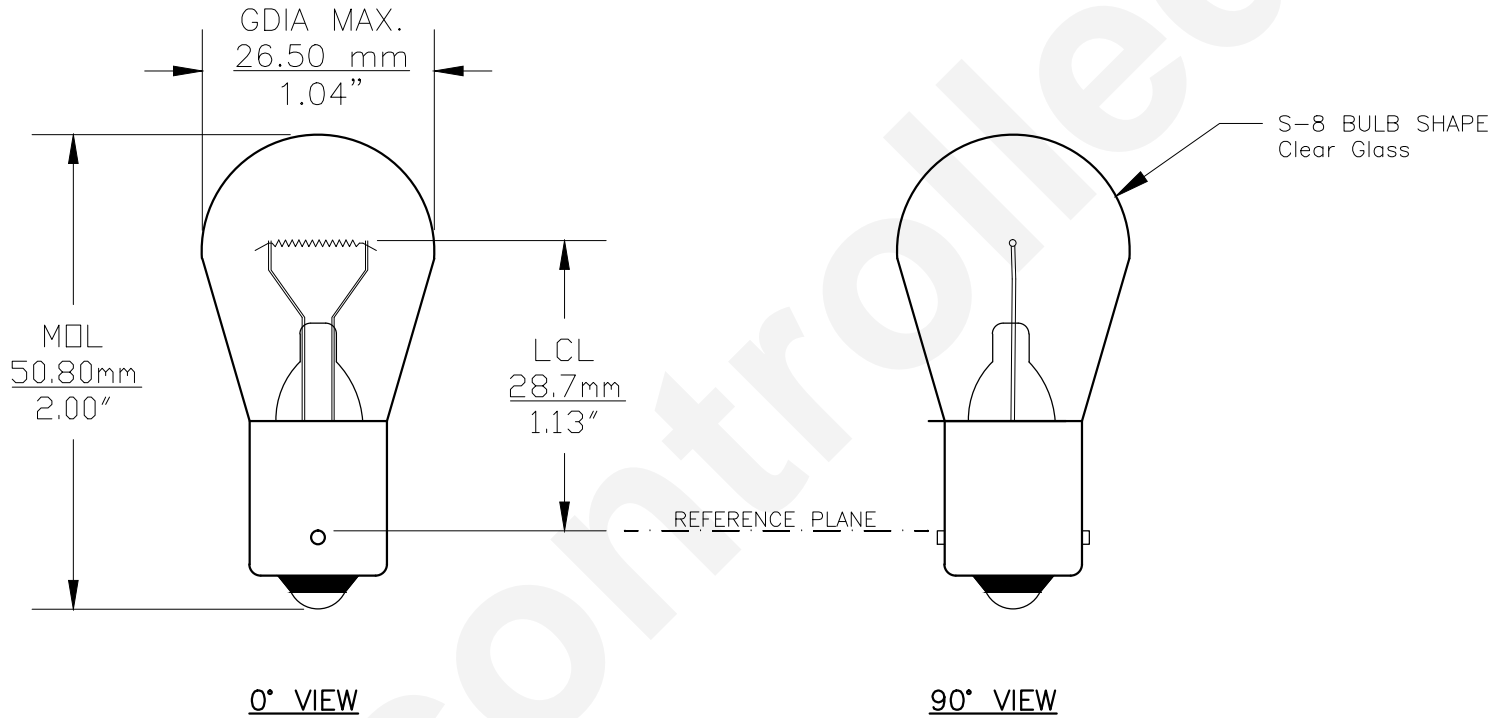




PART NO.	BASE TYPE	DESIGN VOLTS	DESIGN AMPS	MSCD	FILAMENT TYPE	AVERAGE LIFE HOURS	REVISIONS			
							REV #	DESCRIPTION	DATE	APPROVED
87	S.C. Bayonet (BA15s)	6.8V	1.91±5%	15±15%	C-6	300	1	ISSUED	07/01/2014	R.M.
							2	REVISED TO UPDATE LCL	10/28/2016	R.M.



Note: Made according to SAE specifications



UNLESS OTHERWISE SPECIFIED: DIMENSIONS ARE IN INCHES TOLERANCES		CEC INDUSTRIES LTD			
DECIMALS	ANGULAR	599 BOND STREET		LINCOLNSHIRE, IL 60069	
.XX ± .05	± 0.5°	TITLE LIGHT BULB NO. 87			
.XXX ± .010		SIZE A	FSCM NO.	DWG NO. 87	REV 2
FRACTIONAL	± 1/64	DESIGN	SCALE	PLOT SCALE	SHEET 1 OF 1
DRAWN ROSE MEDINA DATE 07/01/2014		MATERIAL		FILE 87.pdf	DRAWING NOT TO SCALE