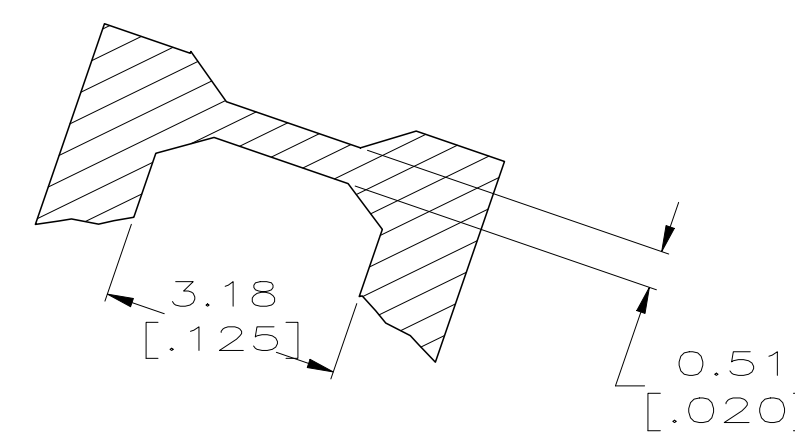
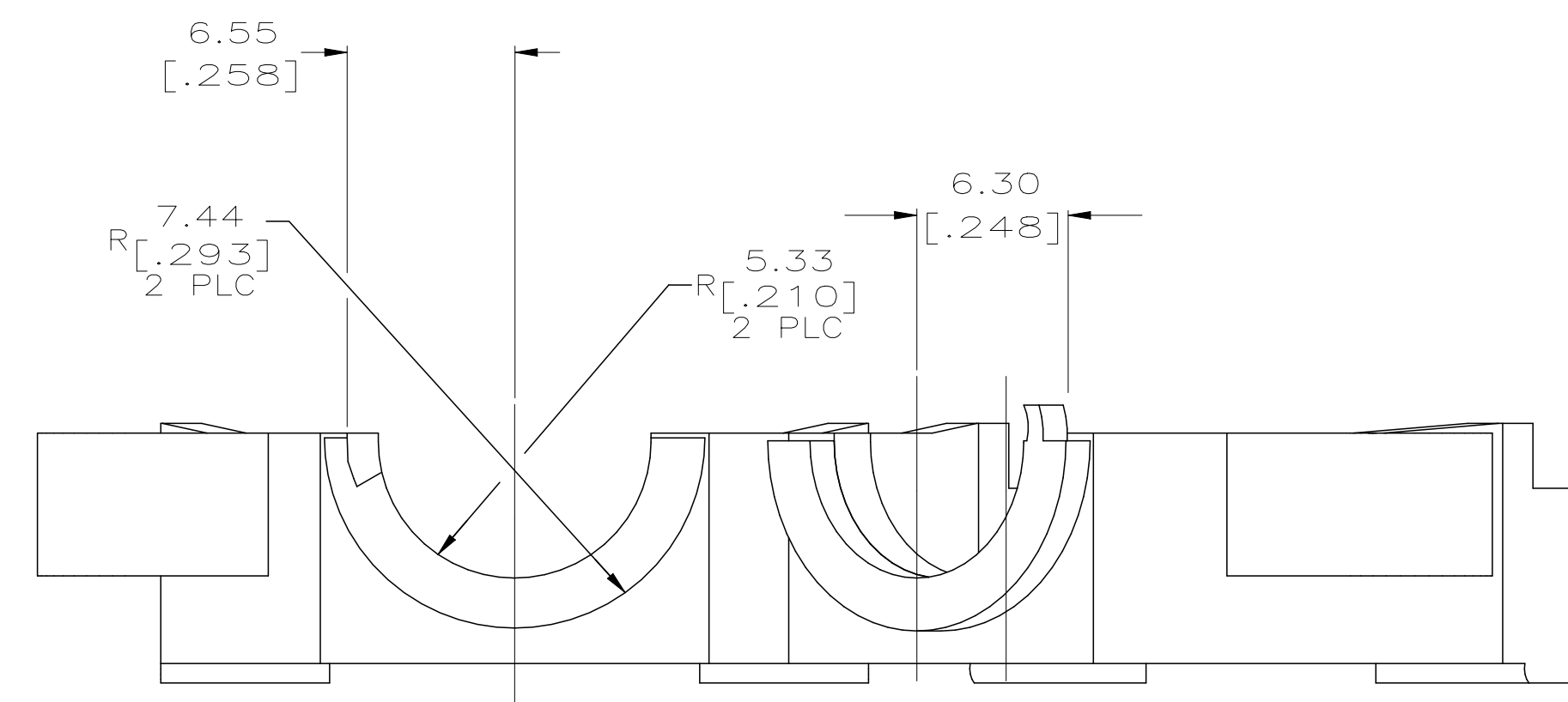
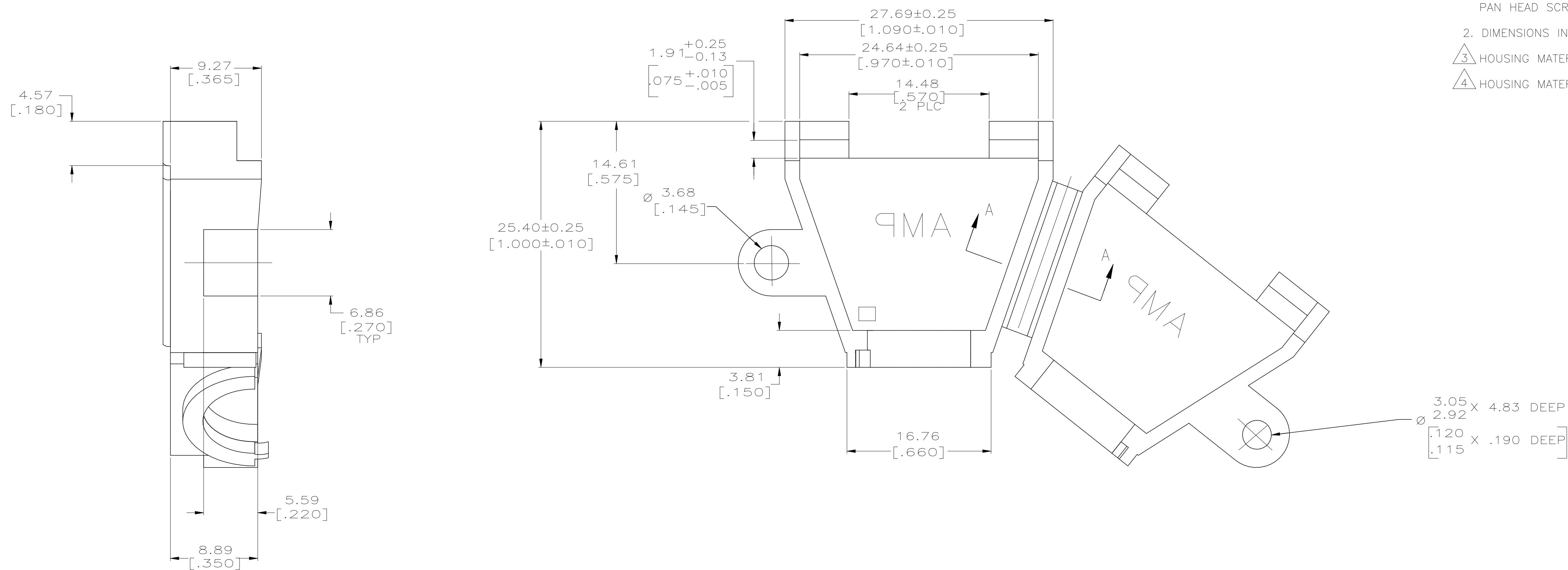
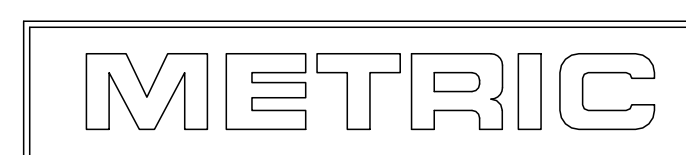
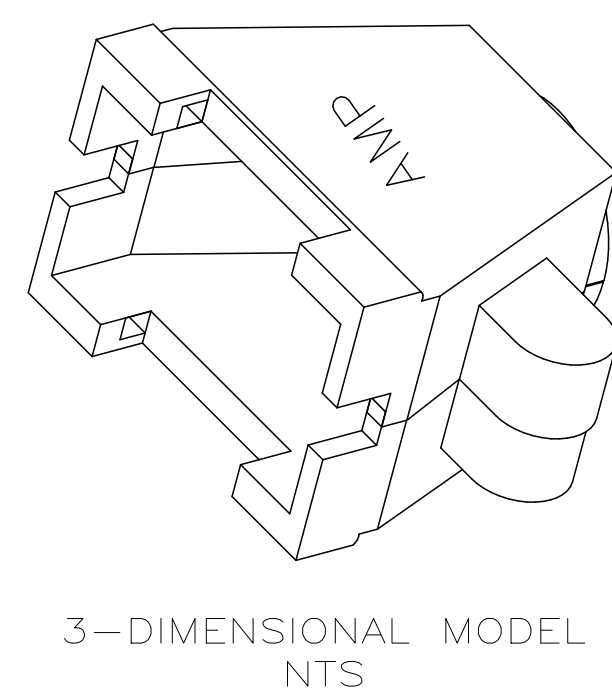


REVISIONS				
P	LTR	DESCRIPTION	DATE	APVD
K		REVISED PER ECO-21-006918	06DEC2021	RK MZ

- REQUIRES A #6 PAN HEAD TYPE "B" SELF TAPPING PAN HEAD SCREW, 9.53 [.375] LONG.
- DIMENSIONS IN BRACKETS ARE IN INCHES.
- HOUSING MATERIAL: PA66, BLACK, UL 94 V-0 RATED
- HOUSING MATERIAL: PA66, BLACK, UL 94 V-2 RATED



SECTION A-A  
SCALE 10:1



4	1-350523-9
3	350523-1
MATERIAL	PART NO

**TE** TE Connectivity

STRAIN RELIEF, HINGED,  
15 POSITION

THIS DRAWING IS A CONTROLLED DOCUMENT.		DWN K. SALMON 8-26-93	CHK R. SWING 8-26-93	APVD W. LONG	NAME
DIMENSIONS: mm [INCHES]	TOLERANCES UNLESS OTHERWISE SPECIFIED:	0 PLC ± -	1 PLC ± -	2 PLC ± 0.13[.005]	PRODUCT SPEC
		3 PLC ± -	4 PLC ± -	ANGLES ± -	APPLICATION SPEC
MATERIAL SEE TABLE	FINISH -	WEIGHT	CUSTOMER DRAWING	SCALE 4:1	SHEET 1 OF 1 REV K