

DIP HC49/S-SMD

11.4 x 4.7 x 4.0mm 2PINS



MDH Technology Co.,Ltd

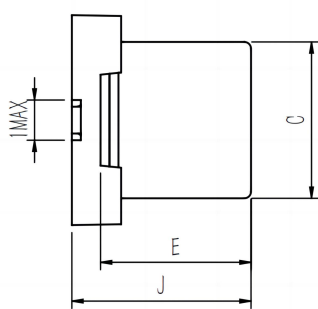
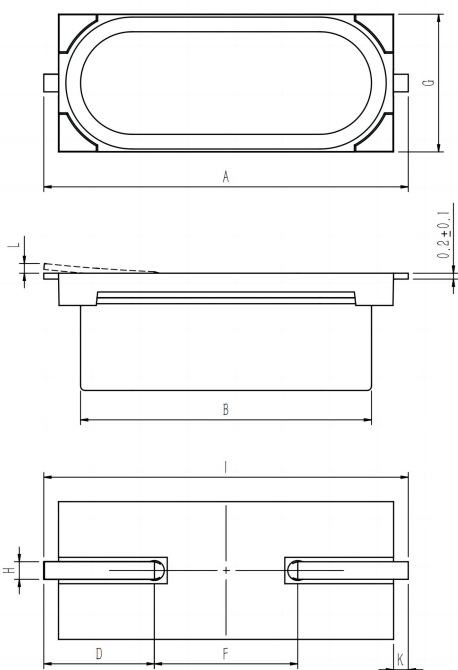
ELECTRICAL CHARACTERISTICS

PARAMETERS	CONDITIONS	HC49/S-SMD			UNIT
		MIN	TYP	MAX	
Frequency		3.5		64	MHz
Mode	Fundamental	-	-	-	-
Frequency Tolerance	At 25°C	± 10		± 50	ppm
Frequency Stability		± 10		± 50	ppm
Operating Temperature	-20~+70°C, -40~+85°C, or specify				°C
Equivalent Series Resistance		See Table 1			Ω
Shut Capacitance	C0			7	pF
Load Capacitance	-	8pF, or specify			pF
Drive Level	DL		100		uW
Storage Temperature	-	-55		+125	°C
Aging	-			± 3	ppm/Year

TABLE 1 - STANDARD ESR

Frequency(MHz)	ESR Ω Max.	3rd Overtone	ESR Ω Max.
3.500~5.000	150	24.000~40.000	150
5.000~6.000	120	40.000~64.000	80
6.500~7.000	100		
7.000~10.000	80		
10.000~13.000	70		
13.000~33.000	50		

DIMENSIONS



A	11.40±0.2	B	9.90±0.3	C	3.50±0.2
D	3.76±0.3	E	3.36±0.2	F	4.88±0.2
G	4.70±0.2	H	0.60±0.2	I	12.40±0.2
J	4.00±0.2	K	0.50±0.2	L	0≤L<0.1