

# Locking clip - SAC-M12-EXCLIP-M - 1558988


Please be informed that the data shown in this PDF Document is generated from our Online Catalog. Please find the complete data in the user's documentation. Our General Terms of Use for Downloads are valid (<http://phoenixcontact.com/download>)



Locking clip for the pin side of sensor/actuator cables with M12 connector and M12 connectors for assembly, for knurl diameter: 15 mm or for Allen key with a wrench size of 14 mm, prevents the disconnection of plug-in connections without tools



## Key Commercial Data

|                        |   |
|------------------------|---|
| Packing unit           | 10 pc   |
| Minimum order quantity | 10 pc   |
| GTIN                   | <br>4 046356 299152 |
| GTIN                   | 4046356299152   |

## Technical data

### Ambient conditions

|   |                                     |
|---|-------------------------------------|
| Ambient temperature (operation)         | -40 °C ... 65 °C (Locking clip)     |
|   | -40 °C ... 65 °C (for installation) |
| Ambient temperature (storage/transport) | -40 °C ... 105 °C                   |

### Material

|  |       |
|--|-------|
| Flammability rating according to UL 94 | V0    |
| Material                               | TPE-U |

### Standards and Regulations

|  |    |
|--|----|
| Flammability rating according to UL 94 | V0 |
|--|----|

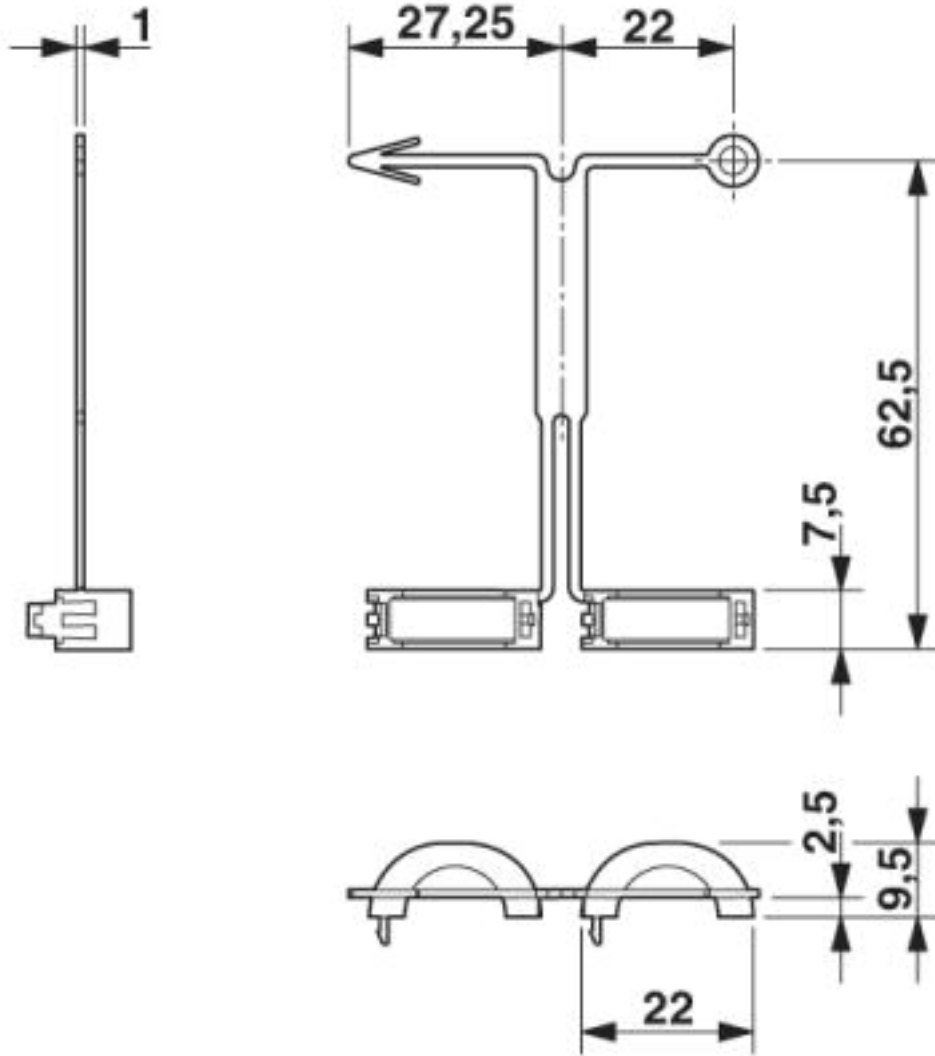
### Environmental Product Compliance

|            |   |
|------------|---|
| China RoHS | Environmentally friendly use period: unlimited = EFUP-e |
|            | No hazardous substances above threshold values          |

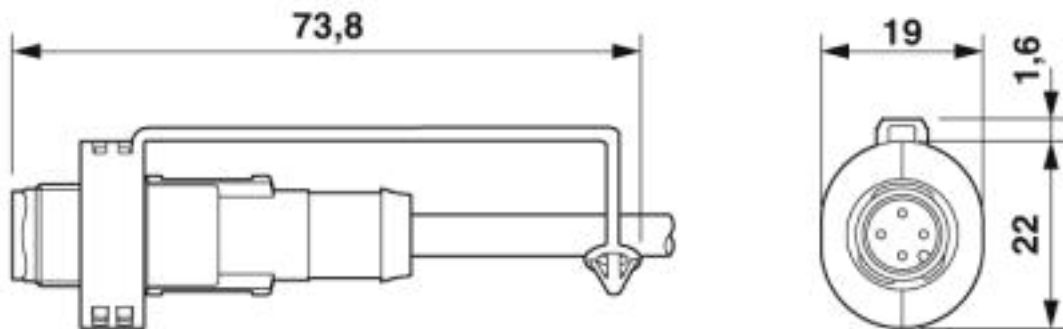
## Drawings

# Locking clip - SAC-M12-EXCLIP-M - 1558988

Dimensional drawing



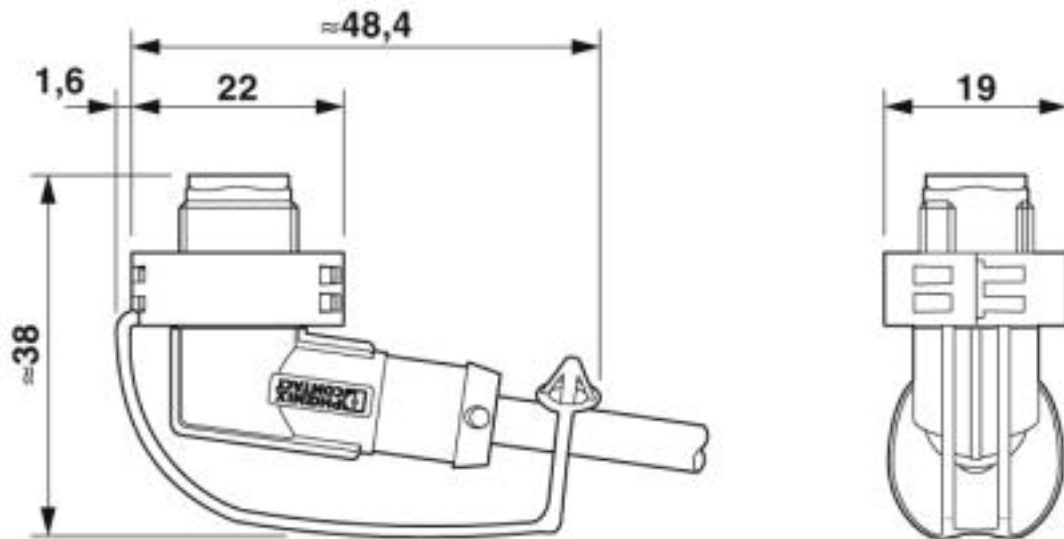
Dimensional drawing



Locking clip mounted on straight M12 connector (not supplied as standard)

## Locking clip - SAC-M12-EXCLIP-M - 1558988

Dimensional drawing



Locking clip mounted on angled M12 connector (not supplied as standard)

Phoenix Contact 2019 © - all rights reserved  
<http://www.phoenixcontact.com>

PHOENIX CONTACT GmbH & Co. KG  
Flachsmarktstr. 8  
32825 Blomberg  
Germany  
Tel. +49 5235 300  
Fax +49 5235 3 41200  
<http://www.phoenixcontact.com>