

6

5

4

3

2

1

E

E

D

D

C

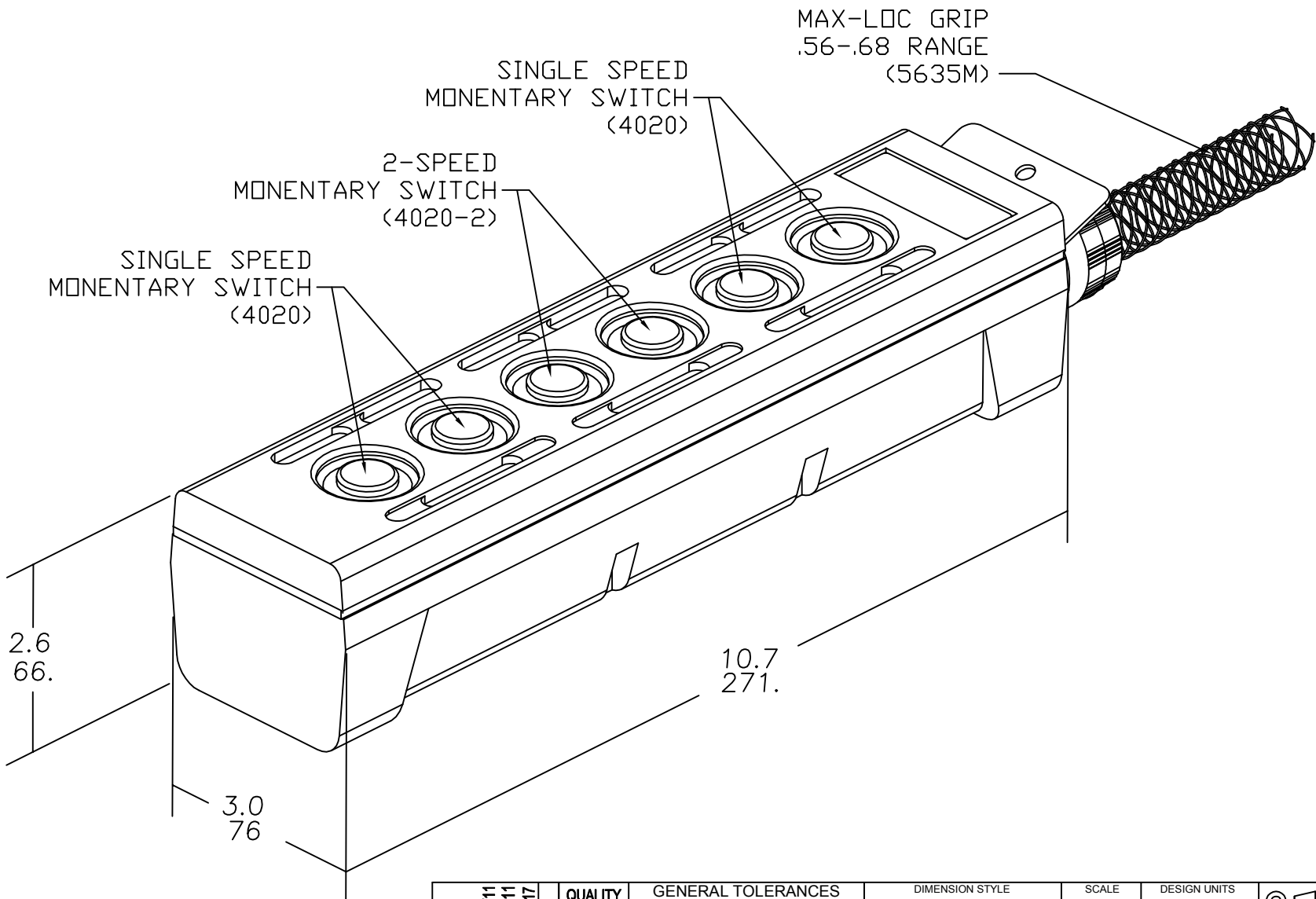
C

B

B

A

A



NOTE:

1. ALL DIMENSIONS ARE FOR REFERENCE ONLY.

CUSTOMER DRAWING EC NO: WNA2009-0028 DRWN: HKNEELAN 2008/07/11 CHKD: JP 2008/07/11 APPR: JPAWLICK 2008/07/17	QUALITY SYMBOLS $\nabla=0$ $\sphericalangle=0$	GENERAL TOLERANCES (UNLESS SPECIFIED)		DIMENSION STYLE INCH/MM		SCALE NTS	DESIGN UNITS INCH	THIRD ANGLE PROJECTION		
		4 PLACES	mm	INCH	DRAWN BY	DATE	TITLE			
		3 PLACES	±----	±----	HK	2008/07/11	4026 W/4020-2 IN POSITIONS 3 & 4 AND MESH GRIP 5635M			
		2 PLACES	±----	±----	HK	2008/07/11				
		1 PLACE	±----	±----	APPROVED BY	DATE	MOLEX INCORPORATED			
ANGULAR ±.5°		JP		2008/07/11						
DRAFT WHERE APPLICABLE MUST REMAIN WITHIN DIMENSIONS		MATERIAL NO.		1301260291		DOCUMENT NO.		SD-130126-006		
A		SIZE		A		THIS DRAWING CONTAINS INFORMATION THAT IS PROPRIETARY TO MOLEX INCORPORATED AND SHOULD NOT BE USED WITHOUT WRITTEN PERMISSION				

6

5

4

3

2

1