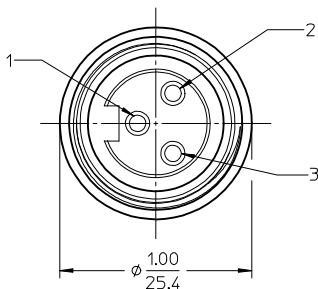
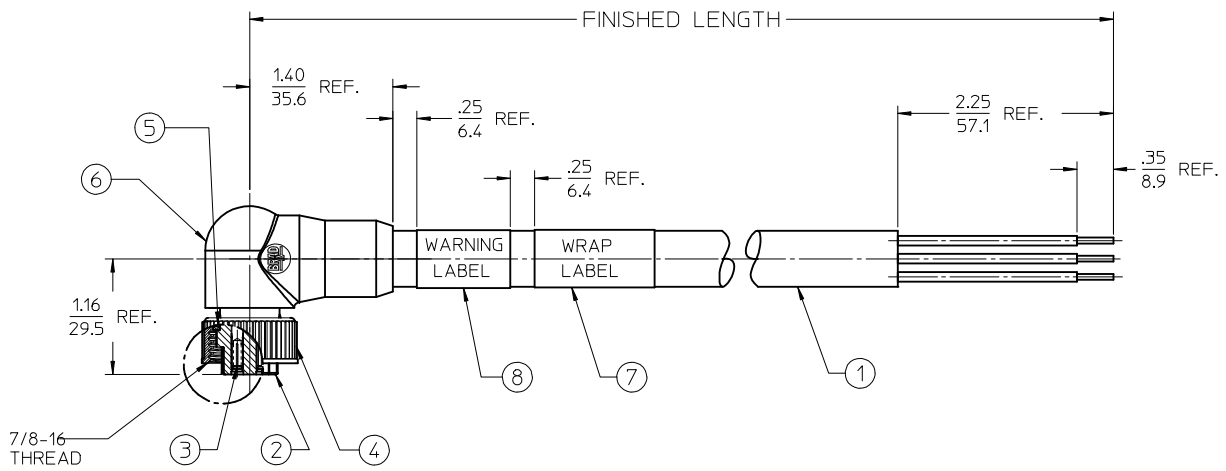




WIRING DIAGRAM



FACE VIEW FEMALE  
SCALE: 2X

NOTES:

- 1) MATERIAL: SEE TABLE
- 2) FINISHES: SEE TABLE
- 3) WRAP LABEL IS MARKED WITH P/N, DATE CODE VOLTAGE & AMPERAGE
- 4) MATES WITH: MINI CHANGE 3 POLE RECEPTACLE
- 5) ELECTRICAL DATA:  
14AWG UL TYPE: TC-ER STRANDED CABLE  
MAX VOLTAGE: 600V  
MAX CURRENT: 15A  
PROTECTION IP67 (WHEN MATED)  
TEMPERATURE RANGE: -20°C TO 90°C
- 6) PACKAGING:  
CABLE ASSEMBLIES ARE BAGGED SEPERATLY IN POLY BAGS WITH BAR CODE LABEL ATTACHED TO OUTSIDE OF BAG.
- 7) ASSEMBLY IS RoHS COMPLIANT

PART NUMBER LEGEND

103001K20MXXE

MC 3P SINGLE END, FEMALE 90 DEG  
CABLE TYPE: 14 AWG TC ER, BLACK  
OVERMOLD OPTION E= RED  
FINISHED LENGTH:  
M001= .1M  
M010= 1.0M  
M100= 10.0M

8	1	WARNING LABEL	VINYL	ORANGE/BLACK
7	1	WRAP LABEL	VINYL	BLACK/YELLOW
6	1	OVERMOLD	PVC	RED
5	1	FRICTION RING	NYLON	WHITE
4	1	FEMALE COUPLING NUT	ZINC ALLOY	BLACK
3	3	CONTACT SOCKET	Cu ALLOY	GOLD PLATE
2	1	FEMALE INSERT	PVC	BLACK
1	SEE NOTE 5	CABLE	TPE	BLACK
ITEM	QTY	DESCRIPTION	MATERIAL	FINISH

RELEASED	EC NO: IPG2016-0693
DRWRNSTONE 2015/11/10	2015/11/20
CHKDK JOZWIK	2015/12/04
APPR: BWOODMAN	
DESCRIPTION	

QUALITY SYMBOLS	GENERAL TOLERANCES (UNLESS SPECIFIED)
▽=0	mm INCH
▽=0	4 PLACES ± --- ± ---
	3 PLACES ± --- ± ---
	2 PLACES ± --- ± .01
	1 PLACE ± 0.3 ± ---
	0 PLACE ± --- ± ---
	ANGULAR ± 1°
	DRAFT WHERE APPLICABLE MUST REMAIN WITHIN DIMENSIONS

DIMENSION STYLE	SCALE	DESIGN UNITS	THIRD ANGLE PROJECTION
IN/MM	1:1	INCH	
DRAWN BY	DATE	TITLE	
RSTONE	2015/11/10	MINI CHANGE CABLE ASSY FEMALE, SINGLE END, RED 90 DEG, INTERNAL THREAD	
CHECKED BY	DATE		
KJOZWIK	2015/11/20		
APPROVED BY	DATE		
BWOODMAN	2015/12/04		
MATERIAL NO.	DOCUMENT NO.		
-	SD-130061-033		
SIZE	THIS DRAWING CONTAINS INFORMATION THAT IS PROPRIETARY TO MOLEX INCORPORATED AND SHOULD NOT BE USED WITHOUT WRITTEN PERMISSION		SHEET NO. 1 OF 1