

CABLE LENGTH TOLERANCES	
>.3M [1FT]:	+19mm-0 [+ .75in-0]
.3 - .9M [1 - 3FT]:	+44.5mm-0 [+1.75in-0]
.9 - 1.8M [3 - 6FT]:	+55.6mm-0 [+2.19in-0]
1.8 - 3.7M [6 - 12FT]:	+88.9mm-0 [+3.50in-0]
3.7 - 7.3M [12 - 24FT]:	+165.1mm-0 [+6.50in-0]
7.3-14.6M [24 - 48FT]:	+317.5mm-0 [+12.50in-0]
14.6 - 30.5M [48-100FT]:	+622.3mm-0 [+24.50in-0]
OVER 30M [100FT]	+2% OF FINISHED LENGTH

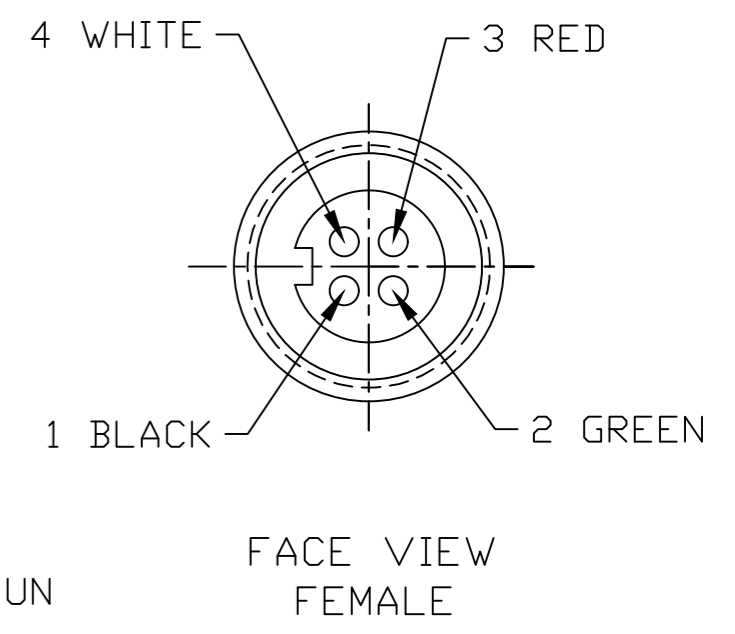
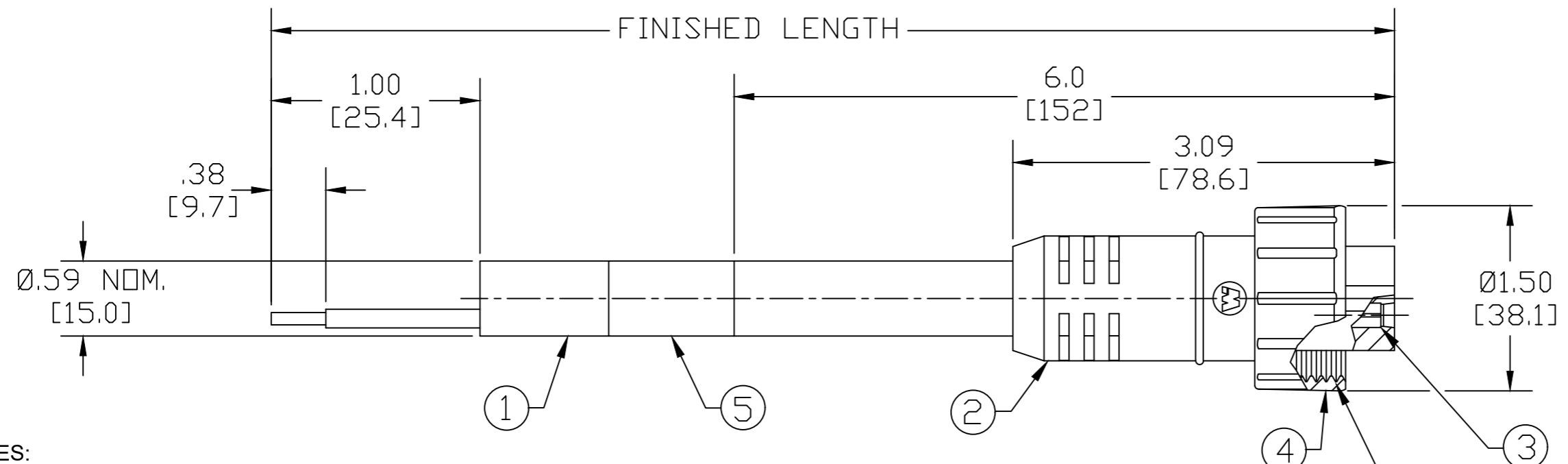
### PART NUMBER LEGEND

604000C05F150

FINISHED LENGTH:  
 F010= 1 FOOT  
 F100= 10 FEET  
 M005= 0.5 METER  
 M010= 1 METER  
 M100= 10 METER

MATERIAL NO.	ENGINEERING NO.	FINISHED LENGTH
1300000073	32637	3.0 FT [0.9M]
1300000074	32638	6.0 FT. [1.8M]
1300000076	32639	12.0 FT. [3.7M]
1300000189	604000C05F150	15.0 FT. [4.6M]
1300000194	604000C05F300	30.0 FT. [9.1M]
1300000202	604000C05M310	101.7 FT. [31.0M]

REF. FOR 2 & 3P ASSY'S SEE SD-130000-004



- NOTES:
1. MATERIAL: AS NOTED
  2. FINISH: AS NOTED
  3. ELECTRICAL:  
VOLTAGE: 600V AC/DC  
CURRENT: 15A
  4. TEMP RATING: -25°C TO +90°C
  5. PROTECTION: IP67 (WHEN MATED)
  6. COUPLING THREAD: AS NOTED
  7. ALL DIMS ARE FOR REFERENCE UNLESS TOLERENCED OR NOTED OTHERWISE

5	WRAP LABEL	VINYL	BLACK/YELLOW
4	COUPLING NUT	THERMOPLASTIC	BLACK
3	CONTACT SOCKET	COPPER ALLOY	UN-PLATED
2	OVERMOLD	RUBBER	YELLOW
1	CABLE-14 AWG SOOW	CPE JACKET	YELLOW
ITEM	COMPONENT	MATERIAL	FINISH

SYMBOLS	THIS DRAWING CONTAINS INFORMATION THAT IS PROPRIETARY TO MOLEX ELECTRONIC TECHNOLOGIES, LLC AND SHOULD NOT BE USED WITHOUT WRITTEN PERMISSION											
	▽ = 0	DIMENSION UNITS	SCALE	CURRENT REV DESC: RELEASED, REPLACES SD-130000-004								
	▽ = 0	INCH/MM	1:1	<p>EC NO: 624731            DRWN: RSTONE 2019/09/24            CHK'D: CCHRSTKA 2019/10/01            APPR: BWOODMAN 2019/10/09</p> <p>INITIAL REVISION:            DRWN: RSTONE 2019/09/24            APPR: BWOODMAN 2019/10/09</p>								
	▽ = 0	GENERAL TOLERANCES (UNLESS SPECIFIED)										
	▽ = 0	mm	INCH									
▽ = 0	4 PLACES	±----	±----	DOCUMENT NUMBER								
▽ = 0	3 PLACES	±----	±----	1300000009								
▽ = 0	2 PLACES	±----	±0.01	DOC TYPE   DOC PART   REVISION								
▽ = 0	1 PLACE	±0.3	±----	PSD   000   A								
▽ = 0	0 PLACES	±----	±----	MATERIAL NUMBER   CUSTOMER   SHEET NUMBER								
▽ = 0	ANGULAR TOL ± 2.0°			130000   GENERAL MARKET   1 OF 1								
▽ = 0	DRAFT WHERE APPLICABLE MUST REMAIN WITHIN DIMENSIONS	THIRD ANGLE PROJECTION		DRAWING		SERIES						
▽ = 0				B-SIZE		130000						