

4

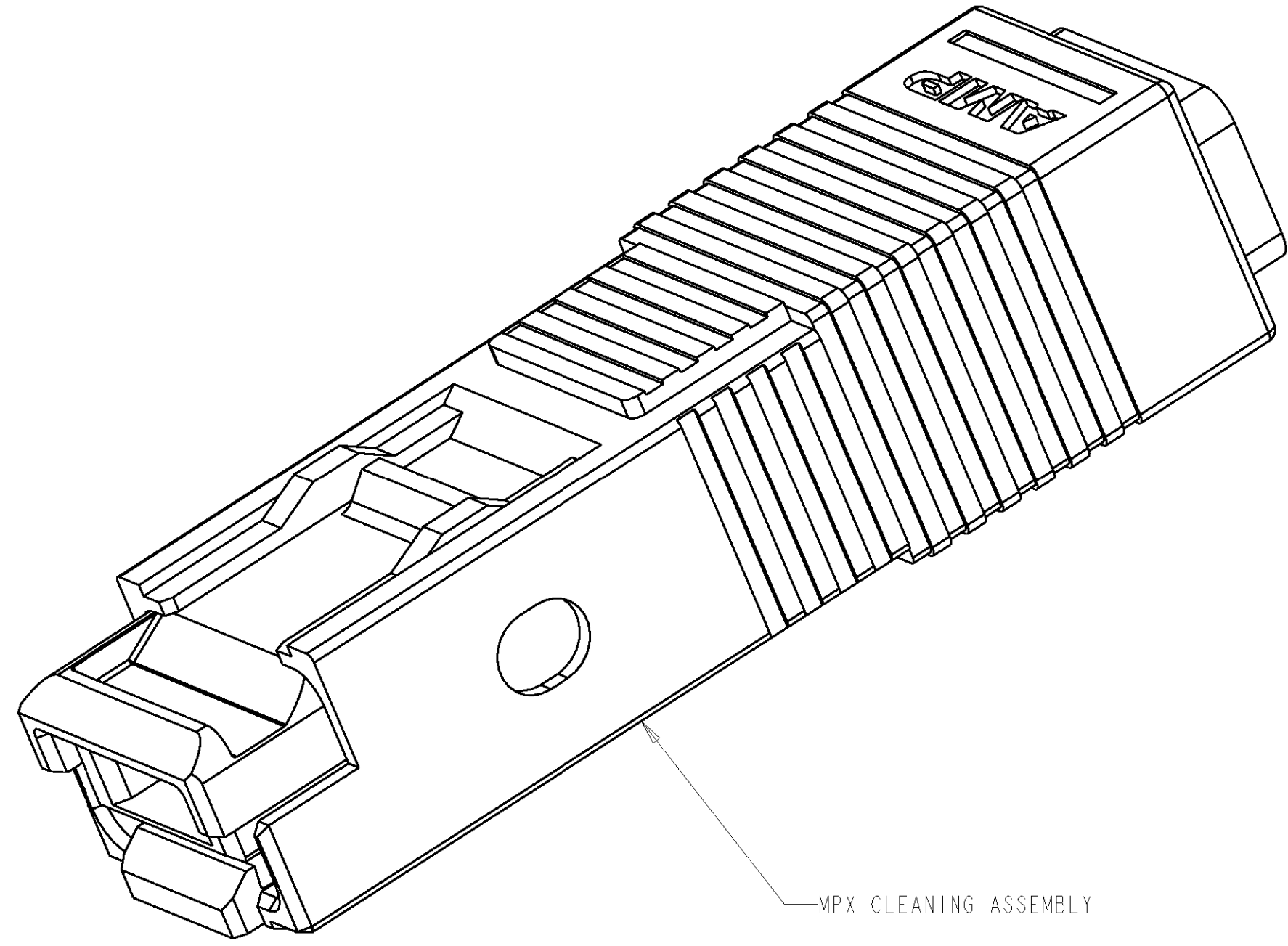
3

2

1

THIS DRAWING IS UNPUBLISHED. RELEASED FOR PUBLICATION
 © COPYRIGHT 19 BY TYCO ELECTRONICS CORPORATION. ALL RIGHTS RESERVED.

LOC	DIST	REVISIONS					
		P	LTR	DESCRIPTION	DATE	DWN	APVD
CE	16		O	RELEASE PER NPR 98-487	12NOV98	EH	SH
			A	REVISED PER EC 0A00-0160-99	12MAR99	RB	SH
			B	REV PER ECN 0A00-0563-00	18JUL2000	SH	FA



MPX CLEANING ASSEMBLY

SCALE 8:1

BULK PACK 25 PIECES.

1278386-2
PART NUMBER

<small>THIS DRAWING IS A CONTROLLED DOCUMENT FOR TYCO ELECTRONICS CORPORATION IT IS SUBJECT TO CHANGE AND THE CONTROLLING ENGINEERING ORGANIZATION SHOULD BE CONTACTED FOR THE LATEST REVISION.</small>		DWN <u>E.Haley</u> 11NOV98 CHK <u>S.Hilker</u> 12NOV98 APVD <u>S.Hilker</u> 12NOV98	AMP AMP Incorporated Harrisburg, PA 17105-3608
DIMENSIONS: mm 	TOLERANCES UNLESS OTHERWISE SPECIFIED: 0 PLC ± 1 PLC ±0.5 2 PLC ±0.13 3 PLC ±0.013 4 PLC ±0.0001 ANGLES ± FINISH -	PRODUCT SPEC APPLICATION SPEC WEIGHT -	NAME CLEANING CONNECTOR ASSEMBLY LIGHTRAY MPX
MATERIAL -		SIZE A2	CAGE CODE 00779
		DRAWING NO 1278386	RESTRICTED TO -
CUSTOMER DRAWING		SCALE 8:1	SHEET 1 OF 1 REV B