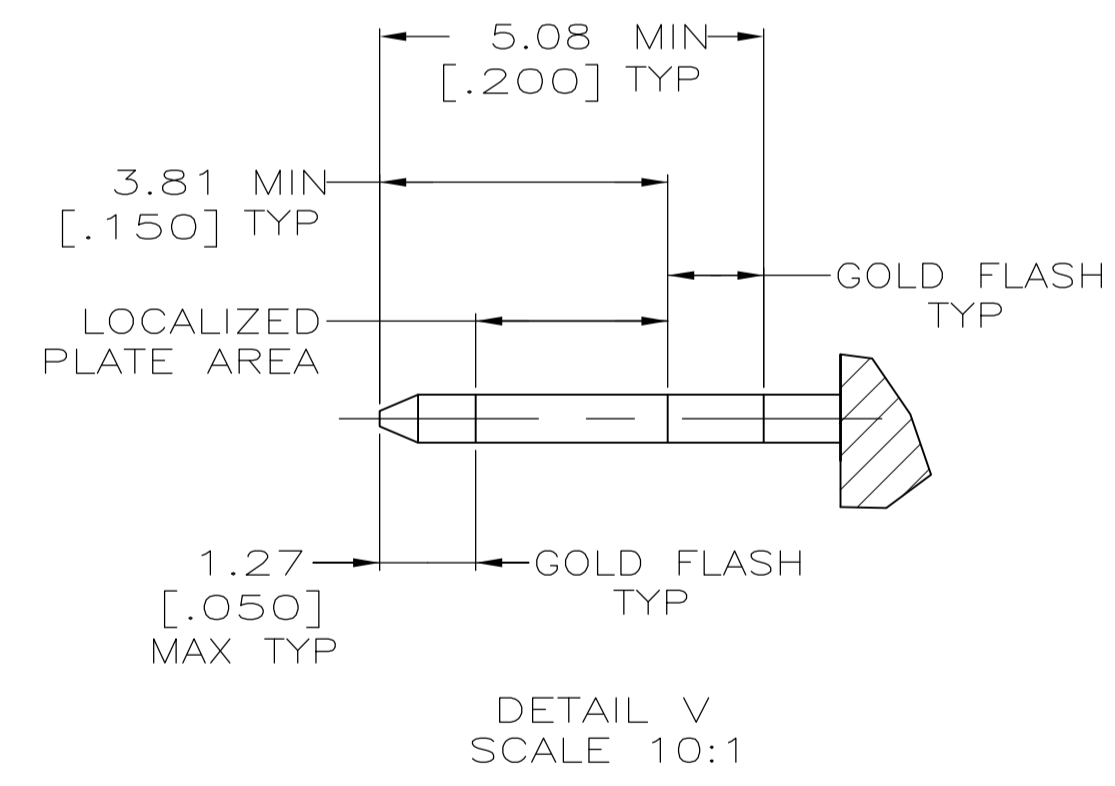
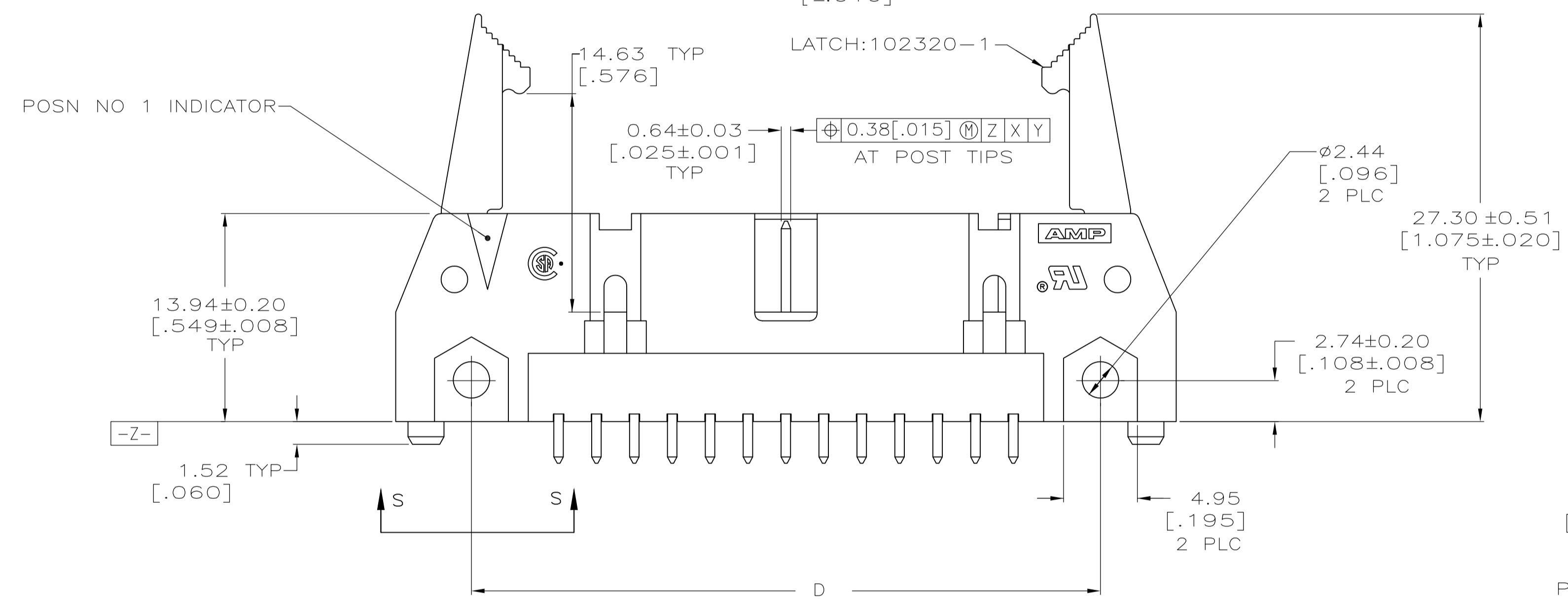
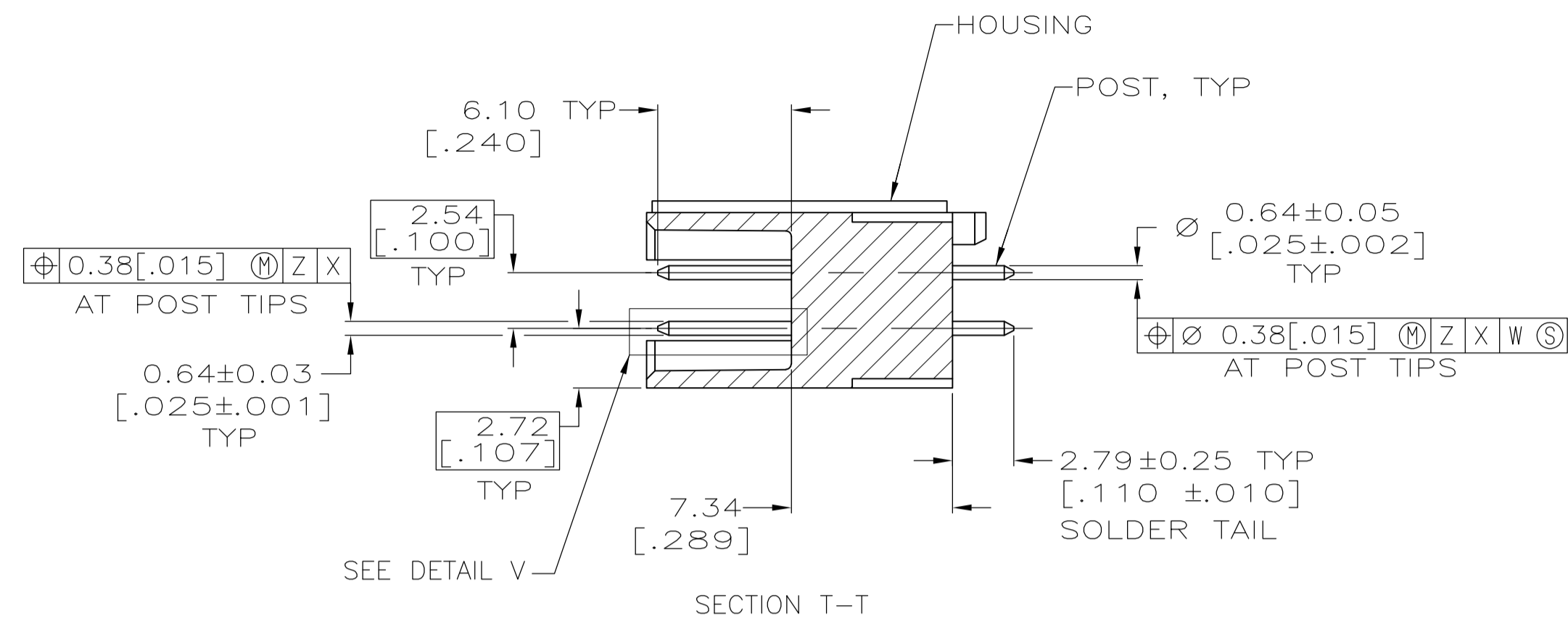
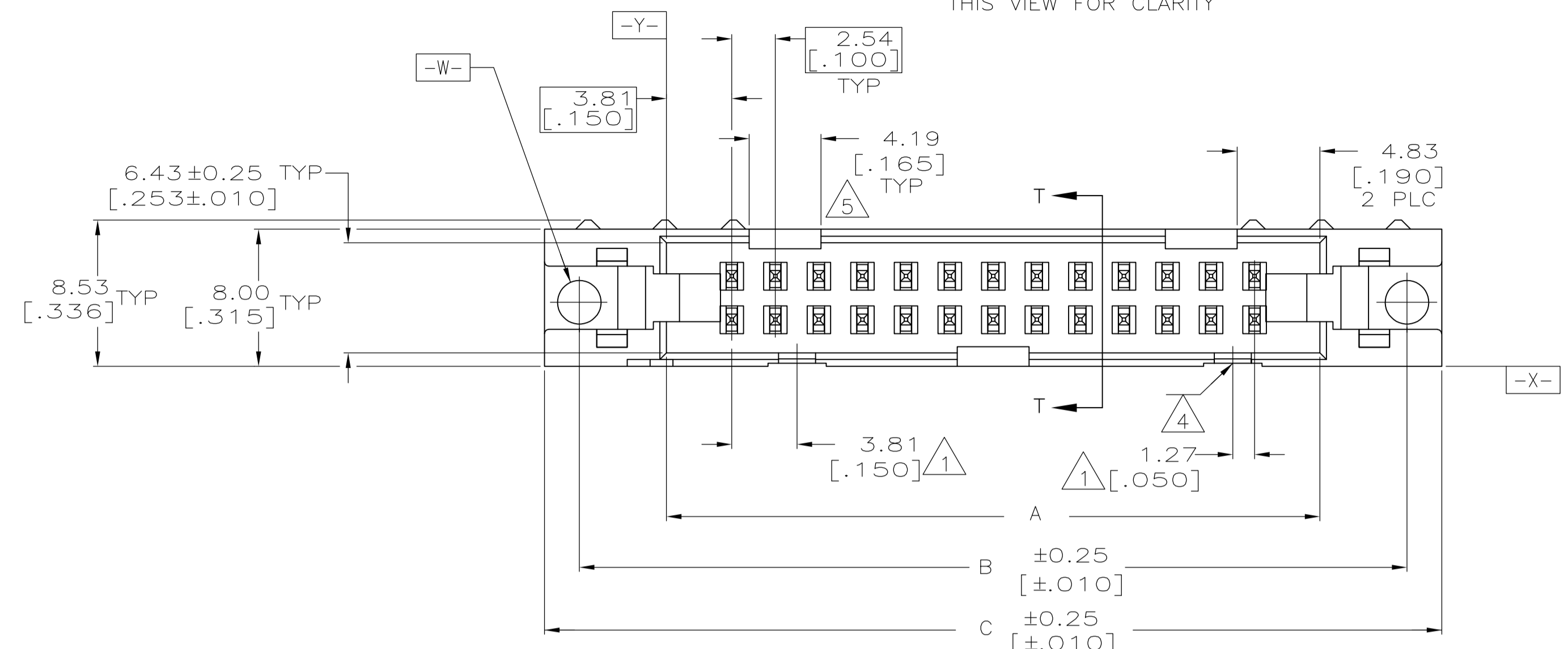
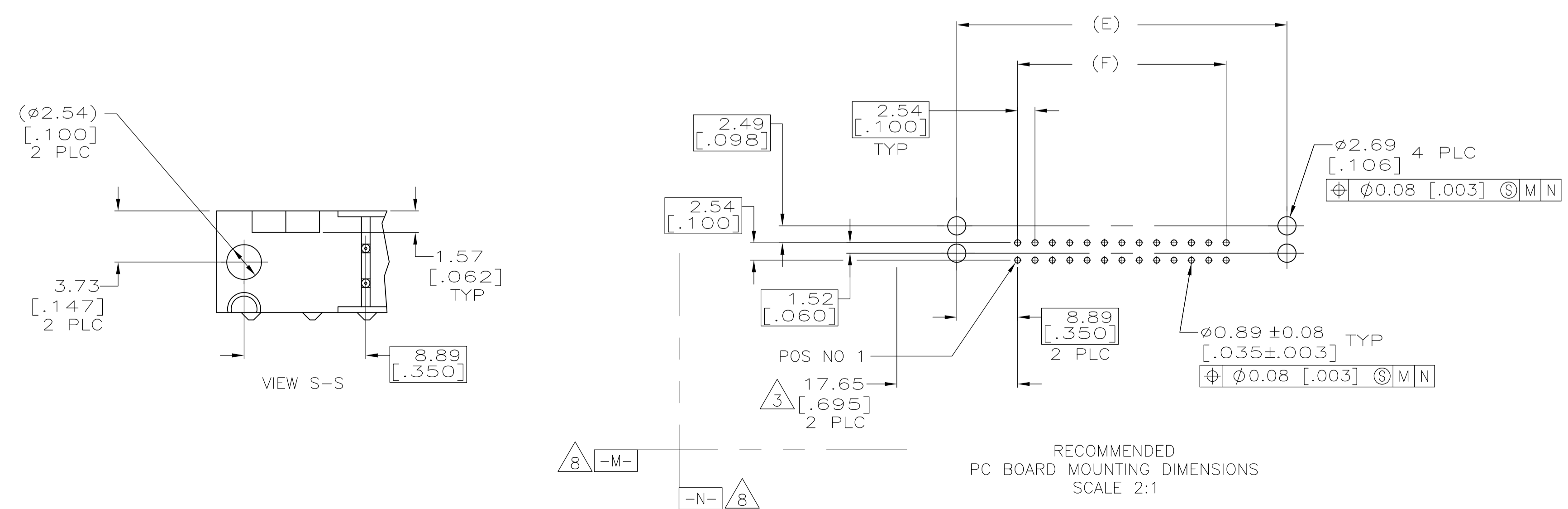


WITH LONG EJECT LATCH: 102320-1

EJECTION LATCHES OMITTED IN THIS VIEW FOR CLARITY



- △1 COORDINATE DIMENSION APPLIES FROM BASIC LOCATION.
- 2. RECOMMENDED PRINTED CIRCUIT BOARD THICKNESS IS 1.57 [0.062].
- △3 DISTANCE REQUIRED BY LATCHES IN THE OPEN POSITION.
- △4 10 POSITION CONTAINS ONLY ONE SLOT FOR SNAP-IN POLARIZER (MILITARY POLARIZATION) LOCATED AS SHOWN.
- △5 10 POSITION CONTAINS ONLY ONE SLOT FOR DUAL POLARIZATION, LOCATED AS SHOWN.
- △6 MATERIAL:
HOUSING & LATCHES: GLASS FILLED NYLON OR POLYESTER, UL94V-0 RATED, COLOR BLACK.
POSTS: PH BRZ OR BRASS
- △7 POSTS:
GOLD FLASH OVER PALLADIUM-NICKEL PLATE, 0.38μm [0.000015] MIN TOTAL ON THE LOCALIZED PLATE AREA,
2.54μm [0.000100] MIN TIN PLATE ON THE SOLDER-TAILS,
1.27μm [0.000050] MIN NICKEL UNDERPLATE ON THE ENTIRE POST.
OR
0.38μm [0.000015] MIN GOLD PLATE ON THE LOCALIZED PLATE AREA,
2.54μm [0.000100] MIN TIN PLATE ON THE SOLDER-TAILS,
1.27μm [0.000050] MIN NICKEL UNDERPLATE ON THE ENTIRE POST.
- △8 DATUMS -M- & -N- TO BE ESTABLISHED BY CUSTOMER.
- ⑩△9 LONG EJECT LATCHES (PART NO. 102320-1) WILL MATE WITH AMP-LATCH RECEPTACLES WITH STRAIN RELIEF & FEMALE SOCKET CONNECTORS WITH STRAIN RELIEF
- ⑩△10 SPECIAL LONG EJECT LATCHES (PART NO. 1825851-1) WILL MATE WITH AMPMODU MOD IV HOUSINGS WITH CENTER POLARIZATION KEY SIMILAR TO 102387 SERIES PART NUMBERS.



RECOMMENDED PC BOARD MOUNTING DIMENSIONS SCALE 2:1

	73.66 [2.900]	91.44 [3.600]	85.34 [3.360]	95.50 [3.760]	91.44 [3.600]	81.28 [3.200]	60	1-5111490-1
OBSOLETE	40.64 [1.600]	58.42 [2.300]	52.32 [2.060]	62.48 [2.460]	58.42 [2.300]	48.26 [1.900]	34	5111490-8
OBSOLETE	30.48 [1.200]	48.26 [1.900]	42.16 [1.660]	52.32 [2.060]	48.26 [1.900]	38.10 [1.500]	26	5111490-6
OBSOLETE	22.86 [0.900]	40.64 [1.600]	34.54 [1.360]	44.70 [1.760]	40.64 [1.600]	30.48 [1.200]	20	5111490-4
OBSOLETE	15.24 [0.600]	33.02 [1.300]	26.92 [1.060]	37.08 [1.460]	33.02 [1.300]	22.86 [0.900]	14	5111490-2
OBSOLETE	10.16 [0.400]	27.94 [1.100]	21.84 [0.860]	32.00 [1.260]	27.94 [1.100]	17.78 [0.700]	10	5111490-1
	F	E	D	C	B	A	NO OF POSN	PART NUMBER

THIS DRAWING IS A CONTROLLED DOCUMENT.

DIMENSIONS: mm [INCHES]	TOLERANCES UNLESS OTHERWISE SPECIFIED:	0 PLC ± -	1 PLC ± -	2 PLC ± 0.13[0.005]	3 PLC ± -	4 PLC ± -	ANGLES ± -
MATERIAL: △6		FINISH: △7		WEIGHT: -		RESTRICTED TO: -	

APPROVED: G. ATTADIA - 01-12-05, S. BOLASH - 01-12-05, M. WALMSLEY - 01-12-05

NAME: HEADER ASSY, UNIVERSAL, AMP-LATCH

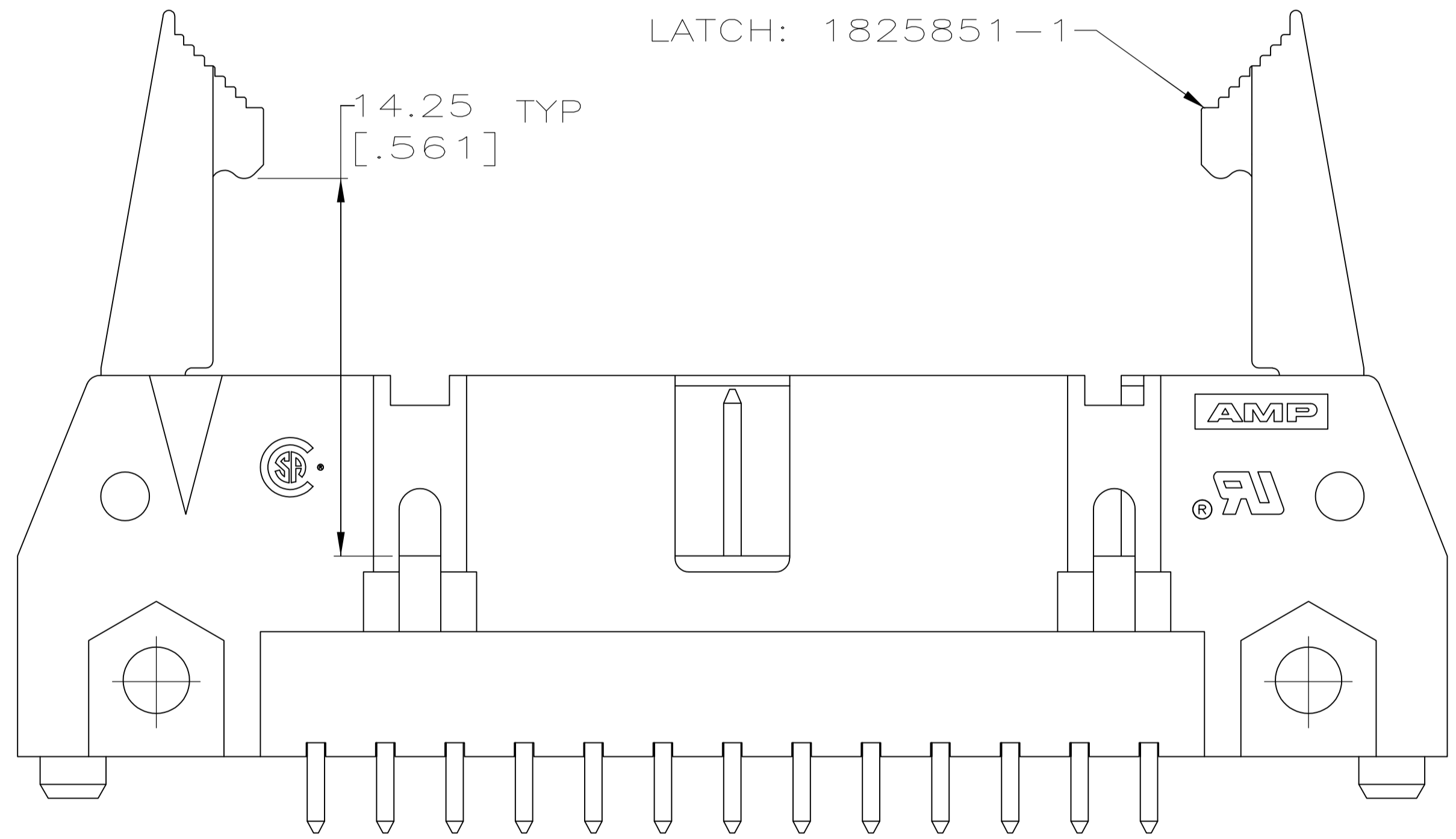
PRODUCT SPEC: 108-40018

APPLICATION SPEC: -

SIZE: A1, CAGE CODE: 00779, DRAWING NO: 5111490

SCALE: 4:1, SHEET: 1 OF 2, REV: D1

WITH SPECIAL LONG EJECT LATCH: 1825851-1 Δ



EXCEPTING LATCH LOCK HEIGHT
ALL OTHER DIMENSIONS ARE SAME AS PAGE 1

①	73.66 [2.900]	91.44 [3.600]	85.34 [3.360]	95.50 [3.760]	91.44 [3.600]	81.28 [3.200]	60	9-5111490-9
②	15.24 [.600]	33.02 [1.300]	26.92 [1.060]	37.08 [1.460]	33.02 [1.300]	22.86 [.900]	14	9-5111490-2
③	10.16 [.400]	27.94 [1.100]	21.84 [.860]	32.00 [1.260]	27.94 [1.100]	17.78 [.700]	10	9-5111490-1
	F	E	D	C	B	A	NO OF POSN	PART NUMBER

THIS DRAWING IS A CONTROLLED DOCUMENT.

DIMENSIONS: INCHES	TOLERANCES UNLESS OTHERWISE SPECIFIED:	0. PLC ± -	1. PLC ± -	2. PLC ± 0.13[.005]	3. PLC ± -	4. PLC ± -	ANGLES ± -	FINISH
		DIN G. ATTADIA - DOCKS 01-12-05 CHK S. BOLASH 01-12-05 APVD M. WALMSLEY 01-12-05		NAME: HEADER ASSY, UNIVERSAL, AMP-LATCH PRODUCT SPEC: 108-40018 APPLICATION SPEC:		SIZE: A1 CAGE CODE: 00779 DRAWING NO: 5111490		RESTRICTED TO: -
MATERIAL		WEIGHT: -		SCALE: 4:1		SHEET 2 OF 2		REV D1

RESTRICTED CUSTOMER