

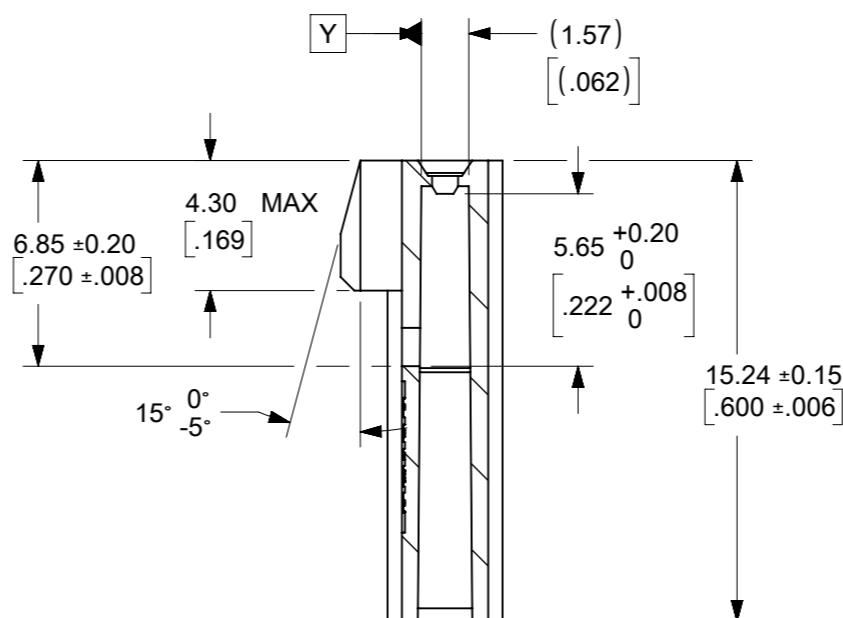
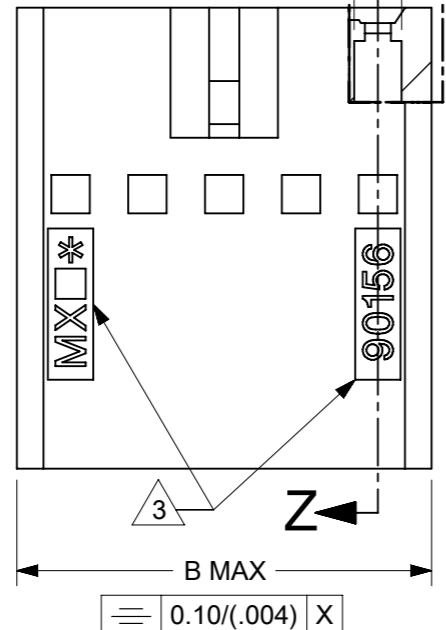
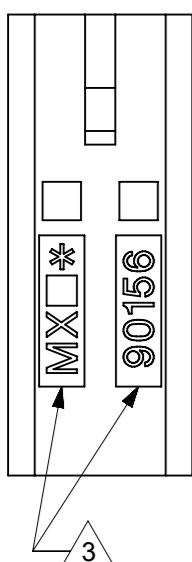
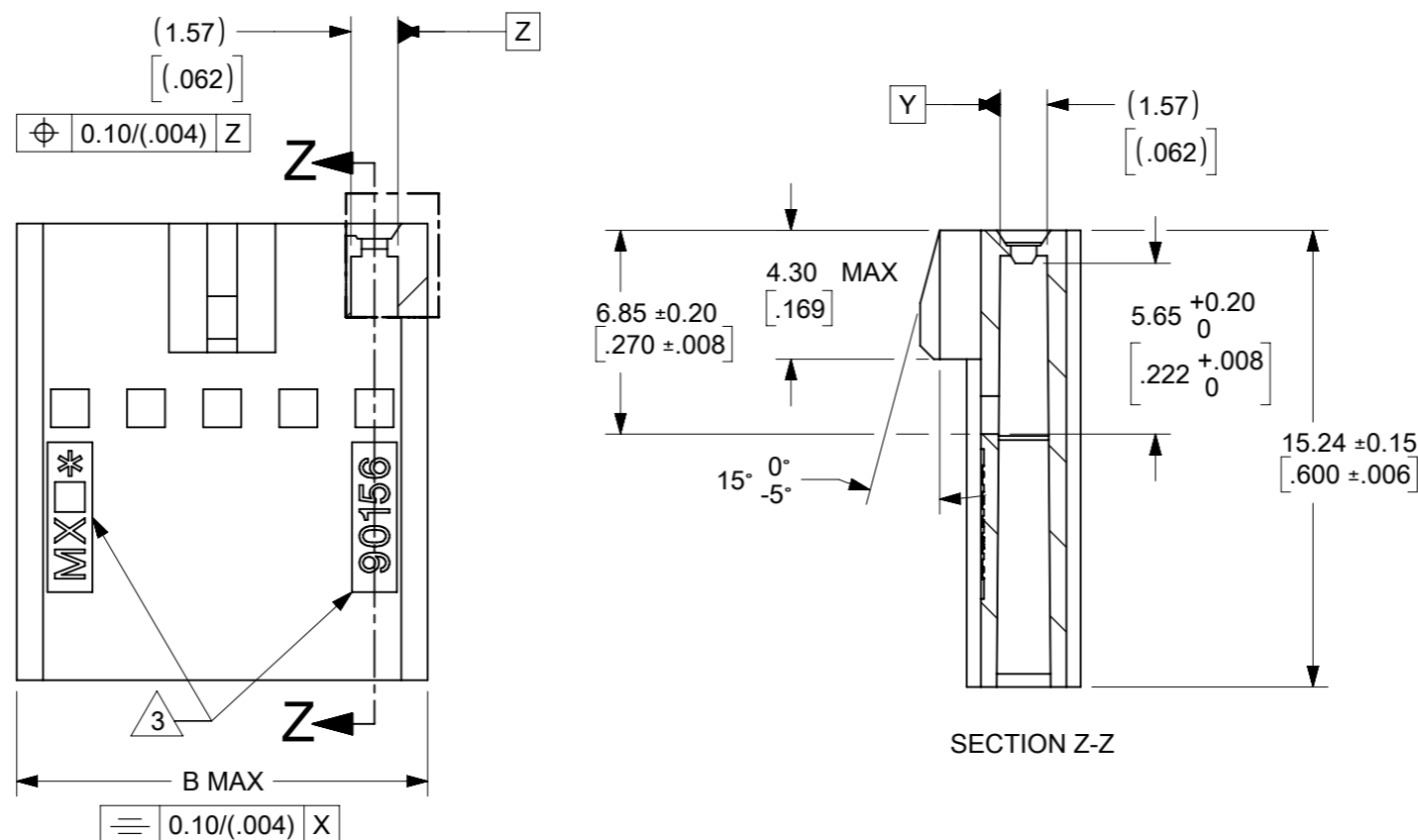
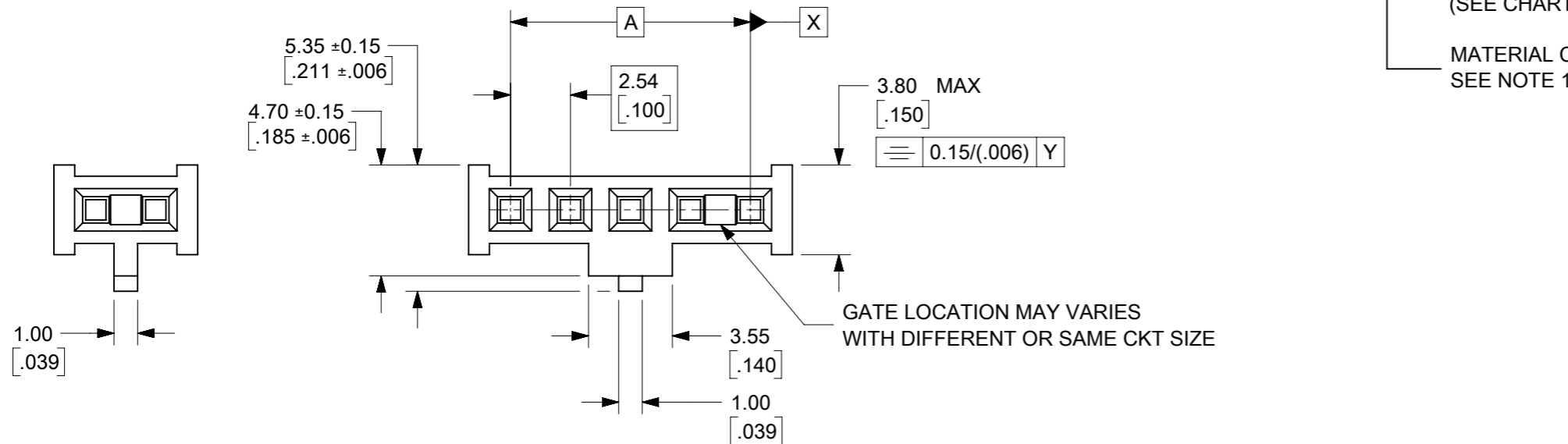
2 & 3  
CIRCUITS

4 TO 32  
CIRCUITS

PART NUMBER:  
90156-XXXX

CIRCUIT SIZE  
REF.NO  
(SEE CHART)

MATERIAL CODE:  
SEE NOTE 1



No. OF CKTS	PART NUMBER	DIM A	DIM B
2	90156-XX42	2.54/(.100)	6.14/(.242)
3	▲ -XX43	5.08/(.200)	8.68/(.342)
4	-XX44	7.62/(.300)	11.22/(.442)
5	-XX45	10.16/(.400)	13.76/(.542)
6	-XX46	12.70/(.500)	16.30/(.642)
7	-XX47	15.24/(.600)	18.84/(.742)
8	-XX48	17.78/(.700)	21.38/(.842)
9	-XX49	20.32/(.800)	23.92/(.942)
10	-XX50	22.86/(.900)	26.46/(1.042)
11			
12	-XX52	27.94/(1.100)	31.54/(1.242)
13	-XX53	30.48/(1.200)	34.08/(1.342)
14	-XX54	33.02/(1.300)	36.62/(1.442)
15	-XX55	35.56/(1.400)	39.16/(1.542)
16	-XX56	38.10/(1.500)	41.70/(1.642)
17			
18	-XX58	43.18/(1.700)	46.78/(1.842)
19			
20	-XX60	48.26/(1.900)	51.86/(2.042)
21			
22	-XX62	53.34/(2.100)	56.94/(2.242)
23			
24			
25	-XX65	60.96/(2.400)	64.56/(2.542)
26			
27			
28			
29			
30	-XX70	73.66/(2.900)	77.26/(3.042)
31			
32	90156-XX72	78.74/(3.100)	82.34/(3.242)

NOTES:

- MATERIAL CODE XX: 90156 - XX \*\* :  
01 - POLYPHENYLENE OXIDE (PPO) UL94 V-1 COLOR: BLACK  
10 - GLOW WIRE OPTION POLYESTER (PBT) UL94 V-2 COLOR: NATURAL
- PRODUCT SPECIFICATION: PS-99020-0001
- MOLEX LOGO, SERIES NUMBER AND CAVITY ID TO BE PLACED ON THIS FACE.

FUNCTIONAL SYMBOLS	THIS DRAWING CONTAINS INFORMATION THAT IS PROPRIETARY TO MOLEX ELECTRONIC TECHNOLOGIES, LLC AND SHOULD NOT BE USED WITHOUT WRITTEN PERMISSION	CURRENT REV DESC:		<b>molex</b>																														
	<table border="1"> <tr><th>DIMENSION UNITS</th><th>SCALE</th></tr> <tr><td>MM/IN</td><td>NTS</td></tr> </table>	DIMENSION UNITS	SCALE		MM/IN	NTS	<table border="1"> <tr><th colspan="2">GENERAL TOLERANCES (UNLESS SPECIFIED)</th></tr> <tr><th>PLACES</th><th>TOLERANCE</th></tr> <tr><td>4 PLACES</td><td>± 0.2</td></tr> <tr><td>3 PLACES</td><td>± 0.004</td></tr> <tr><td>2 PLACES</td><td>± 0.2</td></tr> <tr><td>1 PLACE</td><td>± 0.2</td></tr> <tr><td>0 PLACES</td><td>± 0.2</td></tr> </table>		GENERAL TOLERANCES (UNLESS SPECIFIED)		PLACES	TOLERANCE	4 PLACES	± 0.2	3 PLACES	± 0.004	2 PLACES	± 0.2	1 PLACE	± 0.2	0 PLACES	± 0.2	<table border="1"> <tr><th>DOCUMENT NUMBER</th><th>DOC TYPE</th><th>DOC PART</th><th>REVISION</th></tr> <tr><td>SDA-90156</td><td>PSD</td><td>001</td><td>R2</td></tr> </table>	DOCUMENT NUMBER	DOC TYPE	DOC PART	REVISION	SDA-90156	PSD	001	R2			
DIMENSION UNITS	SCALE																																	
MM/IN	NTS																																	
GENERAL TOLERANCES (UNLESS SPECIFIED)																																		
PLACES	TOLERANCE																																	
4 PLACES	± 0.2																																	
3 PLACES	± 0.004																																	
2 PLACES	± 0.2																																	
1 PLACE	± 0.2																																	
0 PLACES	± 0.2																																	
DOCUMENT NUMBER	DOC TYPE	DOC PART	REVISION																															
SDA-90156	PSD	001	R2																															
DIVISIONAL SYMBOLS	<table border="1"> <tr><th>EC NO:</th><td>742393</td></tr> <tr><th>DRWN:</th><td>SUAIFR</td></tr> <tr><th>CHK'D:</th><td>SUAIFR</td></tr> <tr><th>APPR:</th><td>MRAMAKRISHNA</td></tr> <tr><th>INITIAL REVISION:</th><td></td></tr> <tr><th>DRWN:</th><td>GMCSWEEN</td></tr> <tr><th>APPR:</th><td>KHLIM</td></tr> </table>	EC NO:	742393	DRWN:	SUAIFR	CHK'D:	SUAIFR	APPR:	MRAMAKRISHNA	INITIAL REVISION:		DRWN:	GMCSWEEN	APPR:	KHLIM	<table border="1"> <tr><th>DATE</th><td>2023/03/13</td></tr> <tr><th>DATE</th><td>2023/03/15</td></tr> <tr><th>DATE</th><td>2023/03/15</td></tr> <tr><th>DATE</th><td>2004/05/07</td></tr> <tr><th>DATE</th><td>2015/11/05</td></tr> </table>	DATE	2023/03/13	DATE	2023/03/15	DATE	2023/03/15	DATE	2004/05/07	DATE	2015/11/05	<table border="1"> <tr><th>MATERIAL NUMBER</th><td>90156</td></tr> <tr><th>CUSTOMER</th><td>GENERAL MARKET</td></tr> </table>	MATERIAL NUMBER	90156	CUSTOMER	GENERAL MARKET	<table border="1"> <tr><th>SHEET NUMBER</th><td>1 OF 1</td></tr> </table>	SHEET NUMBER	1 OF 1
EC NO:	742393																																	
DRWN:	SUAIFR																																	
CHK'D:	SUAIFR																																	
APPR:	MRAMAKRISHNA																																	
INITIAL REVISION:																																		
DRWN:	GMCSWEEN																																	
APPR:	KHLIM																																	
DATE	2023/03/13																																	
DATE	2023/03/15																																	
DATE	2023/03/15																																	
DATE	2004/05/07																																	
DATE	2015/11/05																																	
MATERIAL NUMBER	90156																																	
CUSTOMER	GENERAL MARKET																																	
SHEET NUMBER	1 OF 1																																	