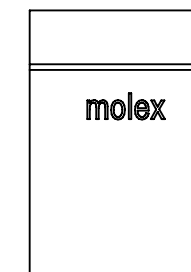
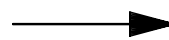


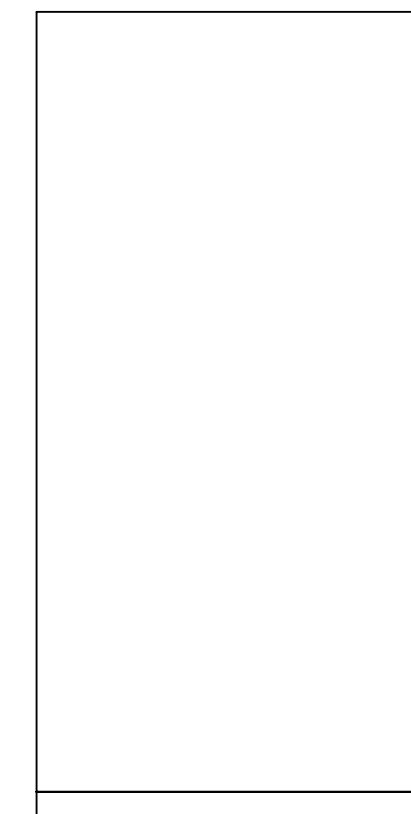




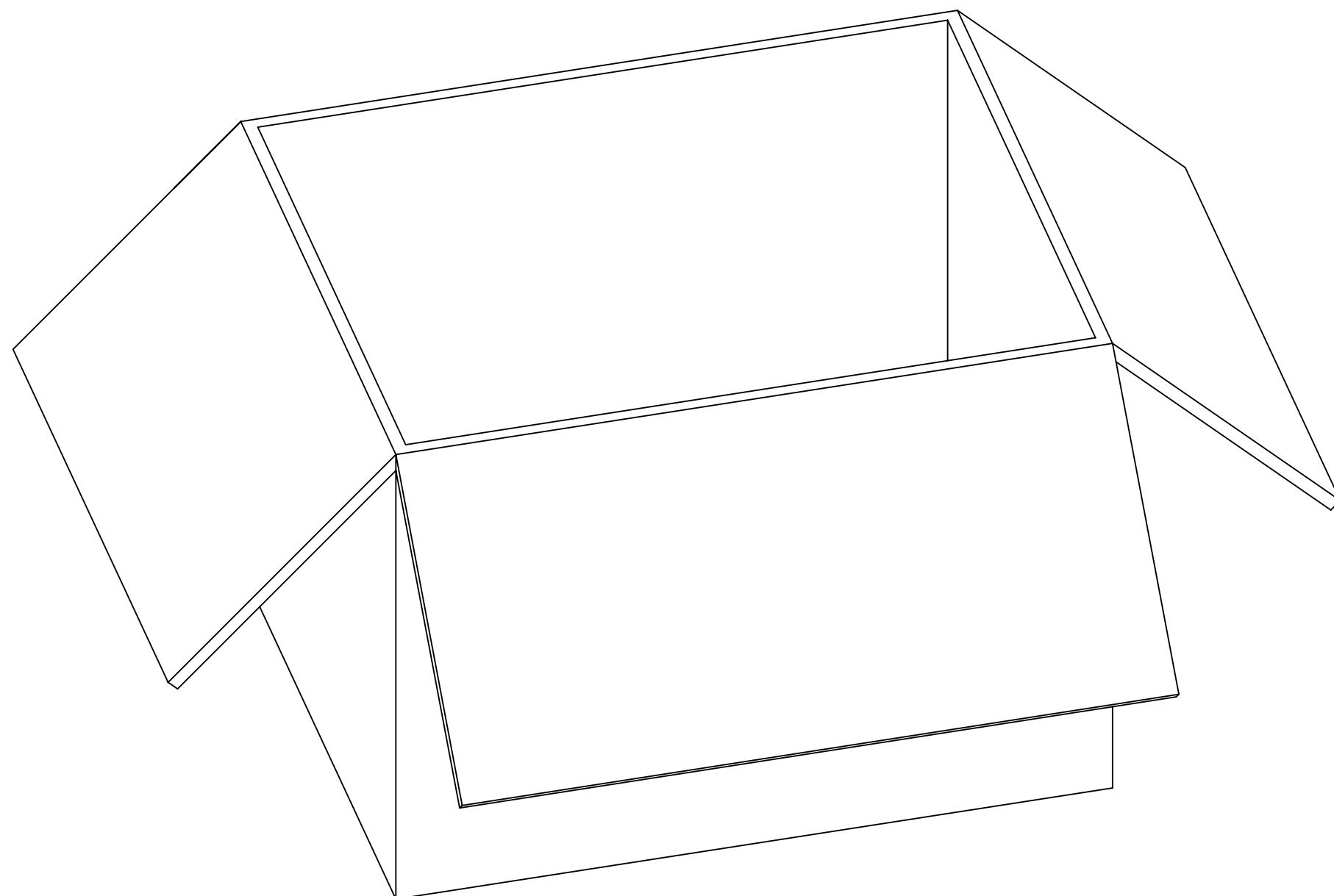
P/N: 73420-0390  
 OR  
 P/N: 73420-0392  
 OR  
 P/N: 73420-0394



ONE PER BAG  
 P/N: 89707-0135



50 SETS PER BAG  
 P/N: 89707-0174



500 SETS PER CARTON  
 BOX  
 P/N: 89499-9027

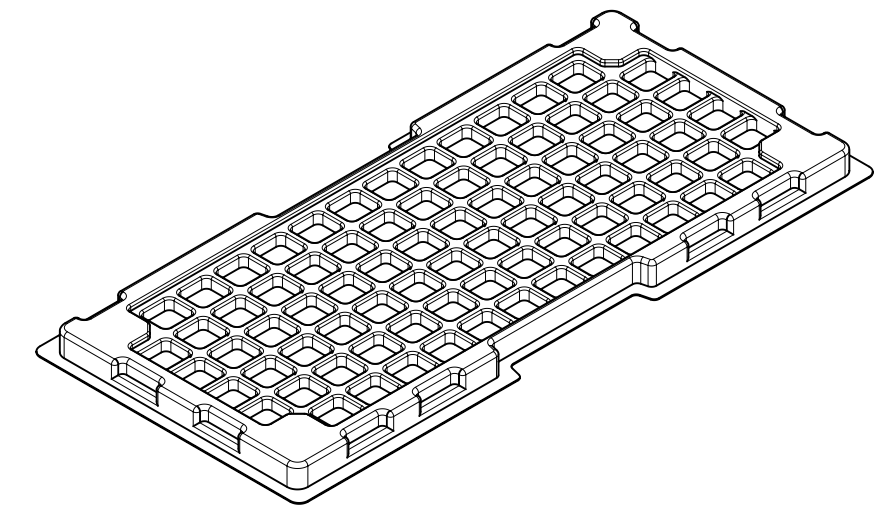
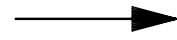
THIS DRAWING CONTAINS INFORMATION THAT IS PROPRIETARY TO MOLEX ELECTRONIC TECHNOLOGIES, LLC AND SHOULD NOT BE USED WITHOUT WRITTEN PERMISSION

DIMENSION UNITS		SCALE		CURRENT REV DESC:			<b>molex</b>								
INCH/MM		NTS													
GENERAL TOLERANCES (UNLESS SPECIFIED)				EC NO: 619682			SMP-MAX RECEPTACLE STR SLIDE TYPE PANEL MOUNT EWR-10999								
ANGULAR TOL ± 2.0°				DRWN: RYEH 2019/06/12											
4 PLACES ±				CHK'D: YCHENG 2019/07/04			PRODUCT CUSTOMER DRAWING								
3 PLACES ±				APPR: YCHENG 2019/07/04											
2 PLACES ±				INITIAL REVISION:			DOCUMENT NUMBER								
1 PLACE ±				DRWN: SSHAH 2010/10/05						SD-73420-039					
0 PLACES ±				APPR: JWIENER 2011/06/13			DOC TYPE								
DRAFT WHERE APPLICABLE MUST REMAIN WITHIN DIMENSIONS				THIRD ANGLE PROJECTION		DRAWING				SERIES		MATERIAL NUMBER		CUSTOMER	
						C-SIZE		73420		SEE TABLE		GENERAL MARKET		2 OF 3	

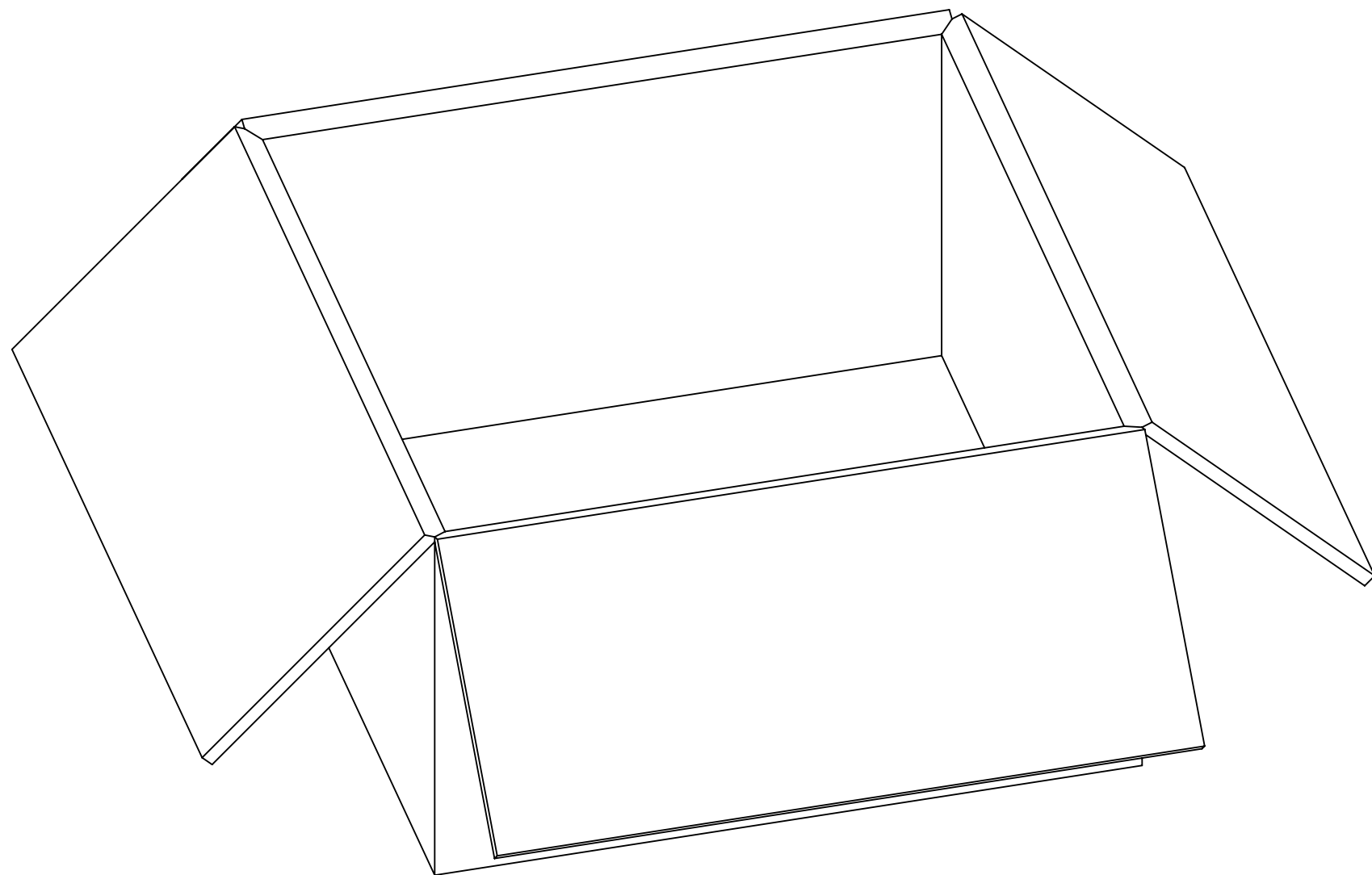
DOCUMENT STATUS	P1	RELEASE DATE	2019/07/04	03:14:29
-----------------	----	--------------	------------	----------



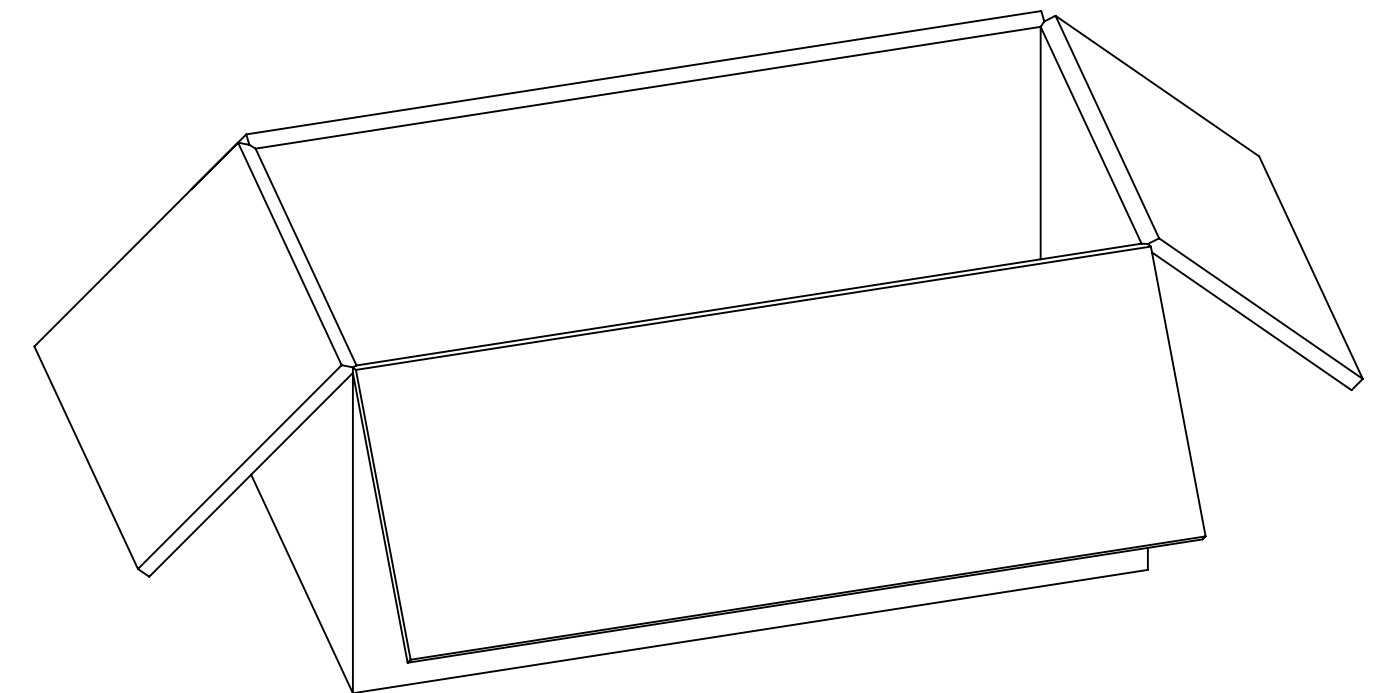
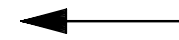
P/N: 73420-0391  
 OR  
 P/N: 73420-0393  
 OR  
 P/N: 73420-0395



80 SETS PER TRAY  
 P/N: 89707-0190



2400 SETS PER OUTER  
 CARTON BOX  
 P/N: 96708-0005



1200 SETS PER INNER  
 CARTON BOX  
 P/N: 96707-0001

THIS DRAWING CONTAINS INFORMATION THAT IS PROPRIETARY TO MOLEX ELECTRONIC TECHNOLOGIES, LLC AND SHOULD NOT BE USED WITHOUT WRITTEN PERMISSION									
DIMENSION UNITS		SCALE		CURRENT REV DESC:				<b>molex</b>	
INCH/MM		NTS							
GENERAL TOLERANCES (UNLESS SPECIFIED)				EC NO: 619682				SMP-MAX RECEPTACLE STR SLIDE TYPE PANEL MOUNT EWR-10999	
ANGULAR TOL ± 2.0°				DRWN: RYEH 2019/06/12					
4 PLACES ±				CHK'D: YCHENG 2019/07/04					
3 PLACES ±				APPR: YCHENG 2019/07/04				PRODUCT CUSTOMER DRAWING	
2 PLACES ±				INITIAL REVISION:				DOCUMENT NUMBER	
1 PLACE ±				DRWN: SSHAH 2010/10/05				SD-73420-039	
0 PLACES ±				APPR: JWIENER 2011/06/13				PSD 001 C7	
DRAFT WHERE APPLICABLE MUST REMAIN WITHIN DIMENSIONS		THIRD ANGLE PROJECTION		DRAWING		SERIES		MATERIAL NUMBER	
				C-SIZE		73420		SEE TABLE	
CUSTOMER		GENERAL MARKET		SHEET NUMBER		3 OF 3			

DOCUMENT STATUS	P1	RELEASE DATE	2019/07/04	03:14:29
-----------------	----	--------------	------------	----------