

MATERIALS AND FINISHES

BODY ZINC
PLATED TIN

CENTER CONTACT BRASS
PLATED GOLD

OUTER CASING HIGH
TEMPERATURE PLASTIC
KEYING SEE TABLE
COLOR SEE TABLE

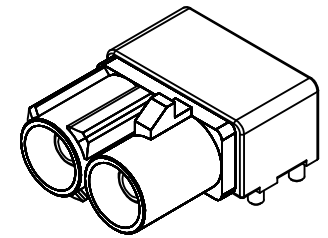
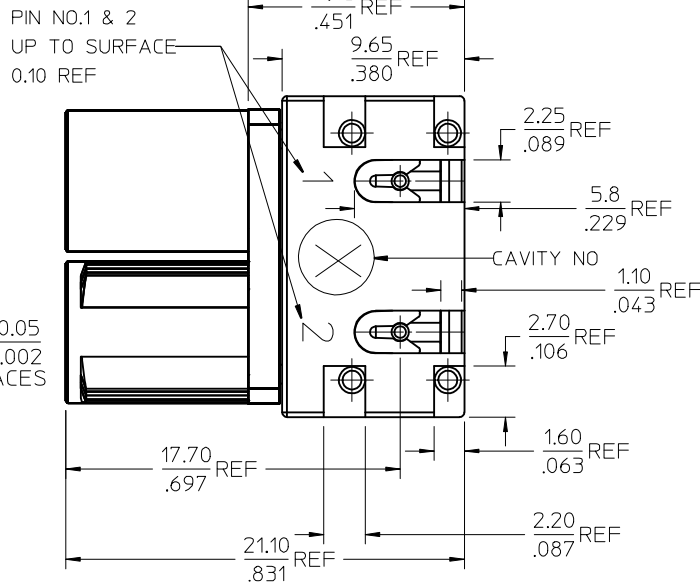
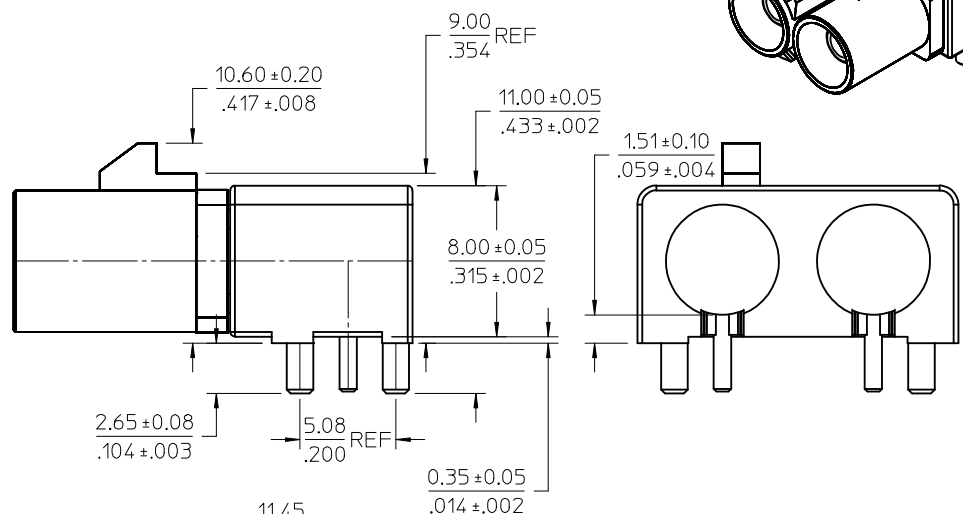
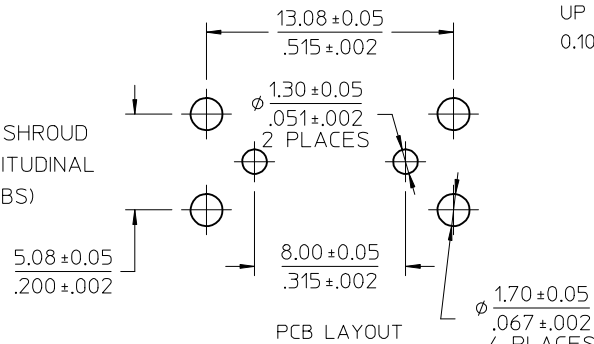
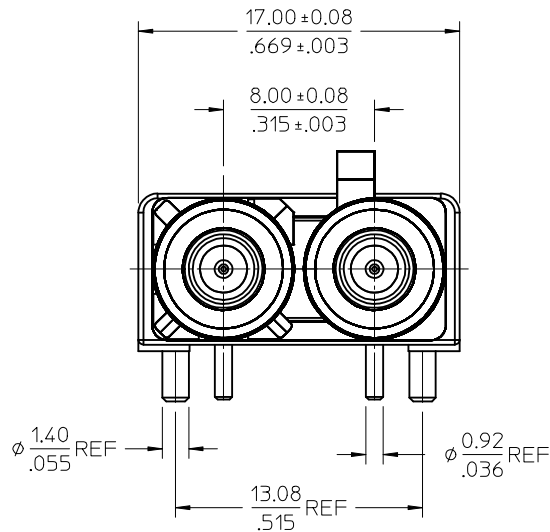
INSULATOR PA46

CAP BRASS
PLATED NICKEL

PACKAGING BY TRAY

RETENTION SPECIFICATION

THE FAKRA CONNECTOR SHROUD
WILL WITHSTAND A LONGITUDINAL
FORCE OF 110 N (24.75 LBS)



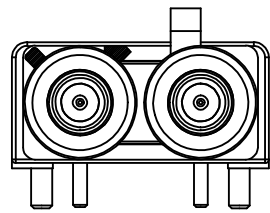
PS-89675-3310	PRODUCT SPECIFICATION
MIL-STD-348A, FIG. 311.1	INTERFACE SPECIFICATION
SPECIFICATION	DESCRIPTION

CHG P1& P2 MARK POSITION, ADD CAVITY NO.	EC NO: URF2009-0646	QUALITY SYMBOLS	GENERAL TOLERANCES (UNLESS SPECIFIED)	DIMENSION STYLE	SCALE	DESIGN UNITS	THIRD ANGLE PROJECTION
PDR0812149-D	2009/05/15	▽=0	4 PLACES ± --- ± ---	MM/IN	METRIC		
	DRWNSCHOU	▽=0	3 PLACES ± --- ± ---				
	2009/05/19		2 PLACES ± --- ± ---				
	CHKD:		1 PLACE ± --- ± ---				
	2009/05/19		ANGULAR ± 2 °				
	APPR:MHUANG						
	2009/05/19						

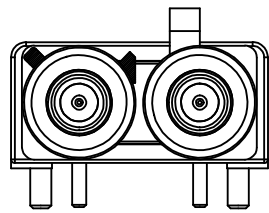
DRAWN BY	DATE	TITLE
JOYCE	2008/12/24	SMB JACK, FAKRA DUAL
CHECKED BY	DATE	R/A PCB 50 OHMS
KERRIE	2008/12/24	SMB-J/PCB
APPROVED BY	DATE	
MISEN	2008/12/24	
MATERIAL NO.	DOCUMENT NO.	
SEE TABLE	SD-73403-519	
SIZE		SHEET NO.
		1 OF 2

DRAFT WHERE APPLICABLE
MUST REMAIN
WITHIN DIMENSIONS

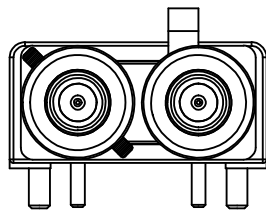
THIS DRAWING CONTAINS INFORMATION THAT IS PROPRIETARY TO MOLEX
INCORPORATED AND SHOULD NOT BE USED WITHOUT WRITTEN PERMISSION



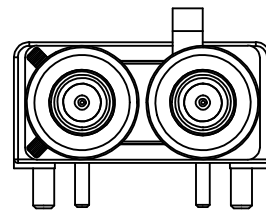
CODE-A



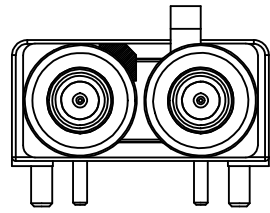
CODE-B



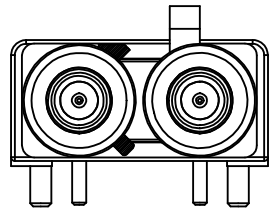
CODE-C



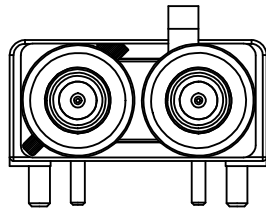
CODE-D



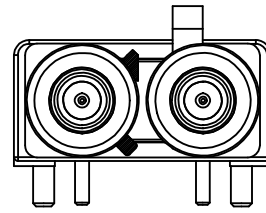
CODE-E



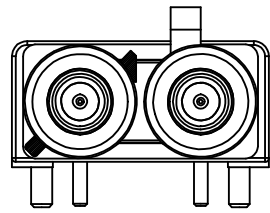
CODE-F



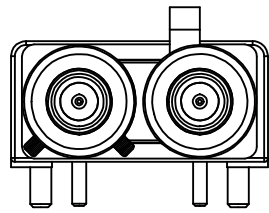
CODE-G



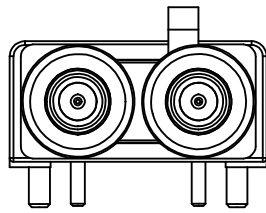
CODE-H



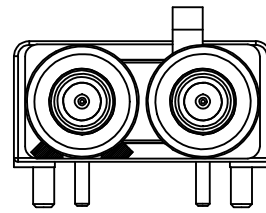
CODE-I



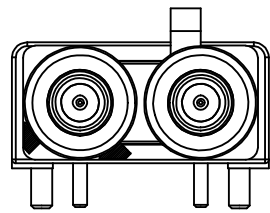
CODE-K



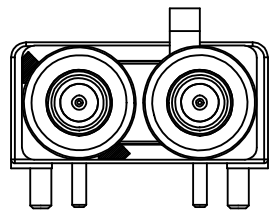
CODE-Z



CODE-L



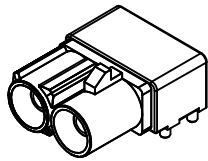
CODE-M



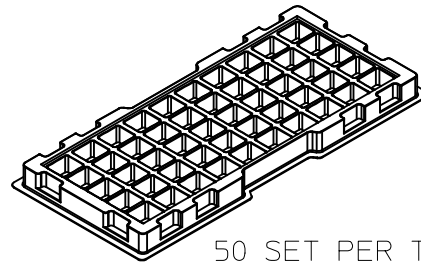
CODE-N

N	PASTEL GREEN	73403-5203
M	PASTEL ORANGE	73403-5202
L	CARMINE RED	73403-5201
Z	WATER BLUE	73403-5200
K	CURRY YELLOW	73403-5199
I	BEIGE	73403-5198
H	VIOLET	73403-5197
G	GRAY	73403-5196
F	BROWN	73403-5195
E	GREEN	73403-5194
D	BORDEAUXVIOLET	73403-5193
C	BLUE	73403-5192
B	CREAM WHITE	73403-5191
A	BLACK	73403-5190
KEYING CODE	COLOR	PART NO.

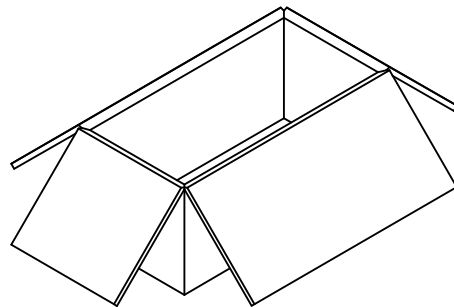
SEE SHEET 1 EC NO: URF2009-0646 2009/05/15 DRWNSCHOU 2009/05/19 CHKD: APPR:MHUANG 2009/05/19	QUALITY SYMBOLS ▽=0 ▽=0	GENERAL TOLERANCES (UNLESS SPECIFIED) <table border="1"> <tr> <td></td> <td>mm</td> <td>INCH</td> </tr> <tr> <td>4 PLACES</td> <td>± .---</td> <td>± .---</td> </tr> <tr> <td>3 PLACES</td> <td>± .---</td> <td>± .---</td> </tr> <tr> <td>2 PLACES</td> <td>± .---</td> <td>± .---</td> </tr> <tr> <td>1 PLACE</td> <td>± .---</td> <td>± .---</td> </tr> </table> ANGULAR ± 2 °		mm	INCH	4 PLACES	± .---	± .---	3 PLACES	± .---	± .---	2 PLACES	± .---	± .---	1 PLACE	± .---	± .---	DIMENSION STYLE MM/IN DRAWN BY DATE JOYCE 2008/12/24 CHECKED BY DATE KERRIE 2008/12/24 APPROVED BY DATE MISEN 2008/12/24	SCALE DESIGN UNITS METRIC THIRD ANGLE PROJECTION	TITLE SMB JACK, FAKRA DUAL R/A PCB 50 OHMS SMB-J/PCB
		mm	INCH																	
	4 PLACES	± .---	± .---																	
	3 PLACES	± .---	± .---																	
2 PLACES	± .---	± .---																		
1 PLACE	± .---	± .---																		
DRAFT WHERE APPLICABLE MUST REMAIN WITHIN DIMENSIONS	MATERIAL NO. SEE TABLE	DOCUMENT NO. SD-73403-519	SHEET NO. 2 OF 2																	
THIS DRAWING CONTAINS INFORMATION THAT IS PROPRIETARY TO MOLEX INCORPORATED AND SHOULD NOT BE USED WITHOUT WRITTEN PERMISSION																				
MOLEX MOLEX INCORPORATED																				



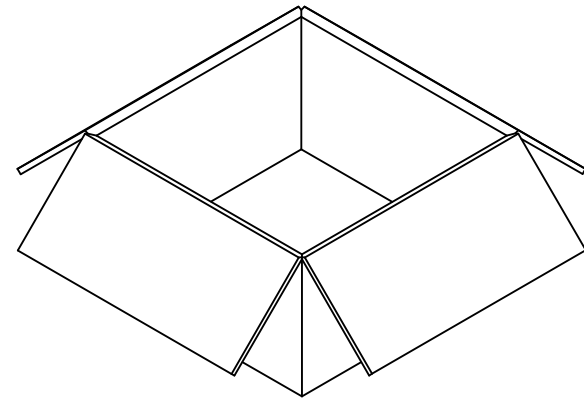
P/N 73403-519X



50 SET PER TRAY
TRAY P/N 89707-0343



400 SET PER INNER
CARTON BOX
P/N 96707-0001



800 SET PER OUTER
CARTON BOX
P/N 96708-0005

PDR0812149-D EC NO: URF2009-0646 DRWNSCHOU 2009/05/15 CHKD: 2009/05/19 APPR: MHUANG 2009/05/19	QUALITY SYMBOLS = 0 = 0	GENERAL TOLERANCES (UNLESS SPECIFIED)		DIMENSION STYLE MM/IN		SCALE	DESIGN UNITS METRIC	THIRD ANGLE PROJECTION		
		4 PLACES ± --- ± --- 3 PLACES ± --- ± --- 2 PLACES ± --- ± --- 1 PLACE ± --- ± ---	mm INCH	DRAWN BY JOYCE	DATE 2009/04/17	TITLE PACKAGING FOR 73403-519X				
		ANGULAR ± 2 °		CHECKED BY KERRIE	DATE 2009/04/17					
		DRAFT WHERE APPLICABLE MUST REMAIN WITHIN DIMENSIONS		APPROVED BY MISEN	DATE 2009/04/17	MOLEX INCORPORATED		DOCUMENT NO. SD-73403-519-PKG	SHEET NO. 1 OF 1	
REV A	DESCRIPTION			MATERIAL NO. -----	SIZE 		THIS DRAWING CONTAINS INFORMATION THAT IS PROPRIETARY TO MOLEX INCORPORATED AND SHOULD NOT BE USED WITHOUT WRITTEN PERMISSION			