

TPS568230 Buck Converter Evaluation Module User's Guide



ABSTRACT

This user's guide contains information for the TPS568230EVM evaluation module as well as the TPS568230 dc/dc converter. Also included are the performance specifications, board layout, schematic, and the List of Materials for the TPS568230EVM.

Table of Contents

1 Introduction	2
2 Performance Specification Summary	3
3 Schematic and List of Materials	4
4 Board Layout	6
5 Bench Test Setup conditions	10
5.1 Headers Description and Jumper Placement.....	10
5.2 Power-Up Procedure.....	11
6 Test Waveform	12
6.1 Power Up.....	12
6.2 Power Down.....	13
6.3 Output Voltage Ripple.....	14
6.4 Load Transient.....	16
6.5 Thermal.....	17
7 Revision History	17

Trademarks

All trademarks are the property of their respective owners.

1 Introduction

TPS568230 dc/dc converter is a synchronous buck converter designed to provide up to a 8-A output. The input (VIN) is rated for 4.5 V to 18 V. The TPS568230 uses a proprietary DCAP3 Control mode. Rated input voltage and output current range for the evaluation module are given in [Table 1-1](#). The high-side and low-side MOSFETs are incorporated inside the TPS568230 package along with the gate-drive circuitry. An external divider allows for an adjustable output voltage. Additionally, the TPS568230 provides 1.3ms internal soft start or external soft start, under voltage lockout inputs and a power good output.

Table 1-1. Input voltage and output current range summary

EVM	INPUT VOLTAGE RANGE	OUTPUT CURRENT RANGE
TPS568230EVM	4.5 V to 18 V	0 A to 8 A

2 Performance Specification Summary

A summary of the TPS568230EVM performance specifications is provided in [Table 2-1](#). Specifications are given for an input voltage of $V_{IN} = 12\text{ V}$ and an output voltage of 1.05 V , unless otherwise specified. The TPS568230EVM is designed and tested for $V_{IN} = 4.5\text{ V}$ to 18 V . The ambient temperature is 25°C for all measurements, unless otherwise noted.

Table 2-1. Summary of performance

SPECIFICATION	TEST CONDITIONS	MIN	TYP	MAX	UNIT
Input voltage		4.5	12	18	V
Output voltage setpoint			1.05		V
FB voltage	$T_J = 25^{\circ}\text{C}$	594	600	606	mV
Output current range		0		8	A
Soft start time	External soft start time		2.6		ms
Operating frequency			600k		Hz
Mode	Light load operating mode		ECO		
Over current	Valley current set point		9.8		A

TPS568230 supports 9 different kinds of mode by selecting divider resistor on mode pin. Please refer [Table 2-2](#).

In this TPS568230EVM board, mode can be selected to 600kHz ECO, 600kHz OOA or 600kHz FCCM by Mode Jumper. If you want to select other mode, please replace mode divider resistor according to below table.

Table 2-2. Mode Table

R_Top(k Ω)	R_Bottom (k Ω)	LIGHT LOAD OPERATION	FREQUENCY (kHz)
330	5.1	Eco	600
330	15	Eco	800
330	27	Eco	1000
200	27	OOA	600
150	33	OOA	800
160	51	OOA	1000
110	51	FCCM	600
75	51	FCCM	800
51	51	FCCM	1000

3 Schematic and List of Materials

This section presents the TPS568230EVM schematic and List of Materials.

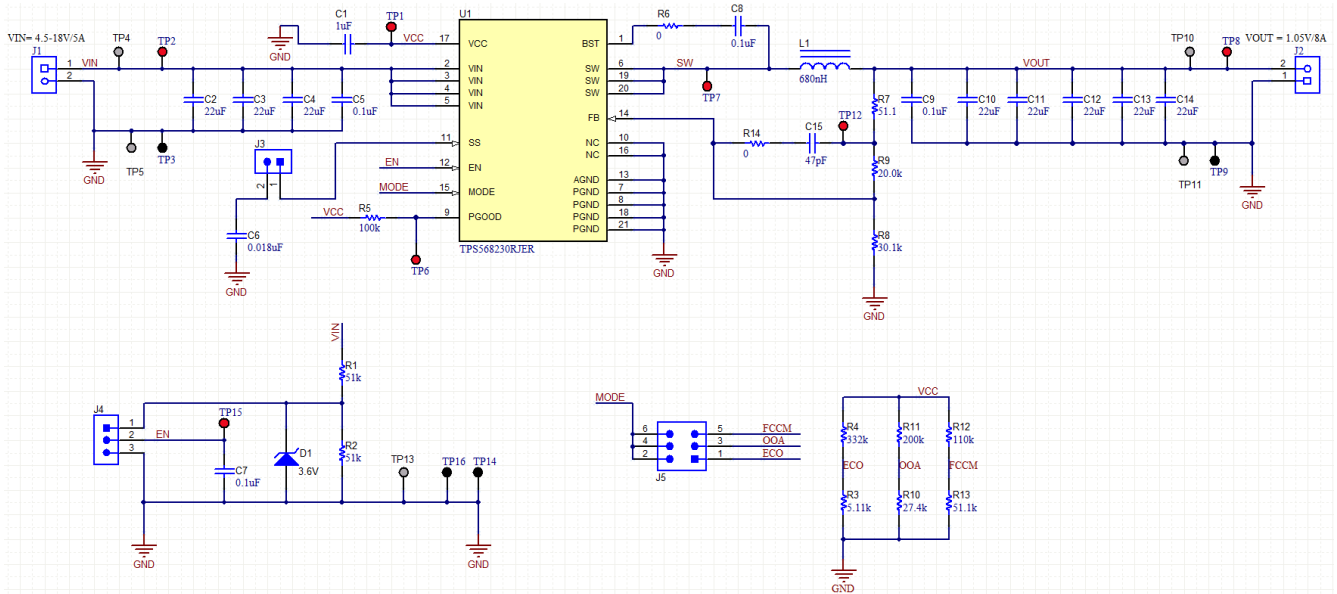


Figure 3-1. Schematic

Table 3-1. TPS568230EVM List of Materials

DES	QTY	DESCRIPTION	PART NUMBER	MAN
C1	1	Capacitor, ceramic, 1 μ F, 25 V, \pm 10%, X5R, 0603	C1608X5R1E105K080AC	TDK
C3, C4	2	Capacitor, ceramic, 22 μ F, 35 V, \pm 20%, X5R, 1206	C3216X5R1V226M160AC	TDK
C5, C7, C8, C9	4	Capacitor, ceramic, 0.1 μ F, 50 V, \pm 10%, X7R, 0603	C1608X7R1H104K080AA	TDK
C6	1	Capacitor, ceramic, 0.018 μ F, 16 V, \pm 10%, X7R, 0603	GRM188R71C183KA01D	MuRata
C10, C11, C12, C13, C14	5	Capacitor, ceramic, 22 μ F, 10 V, \pm 20%, X7S, 1206	C3216X7S1A226M160AC	TDK
C15	1	Capacitor, ceramic, 47 pF, 50 V, \pm 5%, C0G/NP0, 0603	06035A470JAT2A	AVX
D1	1	Diode, Zener, 3.6 V, 500 mW, SOD-123	MMSZ4685T1G	ON Semiconductor
H1, H2, H3, H4	4	Bumpon, hemisphere, 0.44 X 0.20, clear	SJ-5303 (CLEAR)	3M
J1, J2	2	Terminal block, 5.08 mm, 2x1, brass, TH	ED120/2DS	On-Shore Technology
J3	1	Header, 100 mil, 2x1, tin, TH	PEC02SAAN	Sullins Connector Solutions
J4	1	Header, 100 mil, 3x1, tin, TH	PEC03SAAN	Sullins Connector Solutions
J5	1	Header, 100 mil, 3x2, tin, TH	PEC03DAAN	Sullins Connector Solutions
L1	1	Inductor, shielded drum core, Superflux, 680 nH, 17 A, 0.0035 Ω , SMD	744311068	Würth Elektronik
R1	1	Resistor, 120 k Ω , 5%, 0.1 W, AEC-Q200 grade 0, 0603	CRCW0603120KJNEA	Vishay-Dale
R2	1	Resistor, 51 k Ω , 5%, 0.1 W, AEC-Q200 grade 0, 0603	CRCW060351K0JNEA	Vishay-Dale
R3	1	Resistor, 5.11 k Ω , 1%, 0.1 W, AEC-Q200 grade 0, 0603	CRCW06035K11FKEA	Vishay-Dale
R4	1	Resistor, 332 k Ω , 1%, 0.1 W, AEC-Q200 grade 0, 0603	CRCW0603332KJNEA	Vishay-Dale
R5	1	Resistor, 100 k Ω , 1%, 0.1 W, AEC-Q200 grade 0, 0603	CRCW0603100KFKEA	Vishay-Dale
R6, R14	2	Resistor, 0 Ω , 5%, 0.1 W, AEC-Q200 grade 0, 0603	CRCW06030000Z0EA	Vishay-Dale
R7	1	Resistor, 51.1 Ω , 1%, 0.1 W, AEC-Q200 grade 0, 0603	CRCW060351R1FKEA	Vishay-Dale
R8	1	Resistor, 30.1 k Ω , 1%, 0.1 W, AEC-Q200 grade 0, 0603	CRCW060330K1FKEA	Vishay-Dale
R9	1	Resistor, 20.0 k Ω , 1%, 0.1 W, AEC-Q200 grade 0, 0603	CRCW060320K0FKEA	Vishay-Dale
R10	1	Resistor, 27.4 k Ω , 1%, 0.1 W, AEC-Q200 grade 0, 0603	CRCW060327K4FKEA	Vishay-Dale
R11	1	Resistor, 200 k Ω , 1%, 0.1 W, AEC-Q200 grade 0, 0603	CRCW0603200KFKEA	Vishay-Dale
R12	1	Resistor, 110 k Ω , 1%, 0.1 W, AEC-Q200 grade 0, 0603	CRCW0603110KFKEA	Vishay-Dale
R13	1	Resistor, 51.1 k Ω , 1%, 0.1 W, AEC-Q200 grade 0, 0603	CRCW060351K1FKEA	Vishay-Dale
SH-J1, SH-J2, SH-J3	3	Shunt, 100 mil, gold plated, black	SNT-100-BK-G	Samtec
TP1, TP2, TP6, TP7, TP8, TP12, TP15	7	Test point, miniature, red, TH	5000	Keystone
TP3, TP9, TP14, TP16	4	Test point, miniature, black, TH	5000	Keystone
TP4, TP5, TP10, TP11, TP13	5	Terminal, turret, TH, Triple	1598-2	Keystone
U1	1	4.5-V to 18-V input, 8-A synchronous step-down voltage regulator, RJE0020A (VQFN-HR-20)	TPS568230RJER	Texas Instruments

4 Board Layout

This section provides a description of the TPS568230EVM board layout and layer illustrations. The board layout for the TPS568230EVM is shown in below figures. The top-side layer of the EVM is laid out in a manner typical of a user application. The top and bottom layers are 2-oz copper, and internal layers are 1-oz copper.

The top layer contains the main power traces for VIN, VOUT, and SW. Also on the top layer are connections for the remaining pins of the TPS568230 and the majority of the signal traces. There is a large area filled with ground. The internal layer-1 and layer-2 are ground plane. The bottom layer is another ground plane with some additional signal. The top-side ground traces are connected to the bottom and internal ground planes with multiple vias placed around the board.

The input decoupling capacitors and bootstrap capacitor are all located as close to the IC as possible. Additionally, the voltage set point resistor divider components are kept close to the IC. The voltage divider network ties to the output voltage at the point of regulation. For the TPS568230, an additional input bulk capacitor may be required, depending on the EVM connection to the input supply. Critical analog circuits such as the voltage set point divider, EN resistor, SS capacitor, MODE resistor, and AGND pin are terminated to quiet analog ground island.

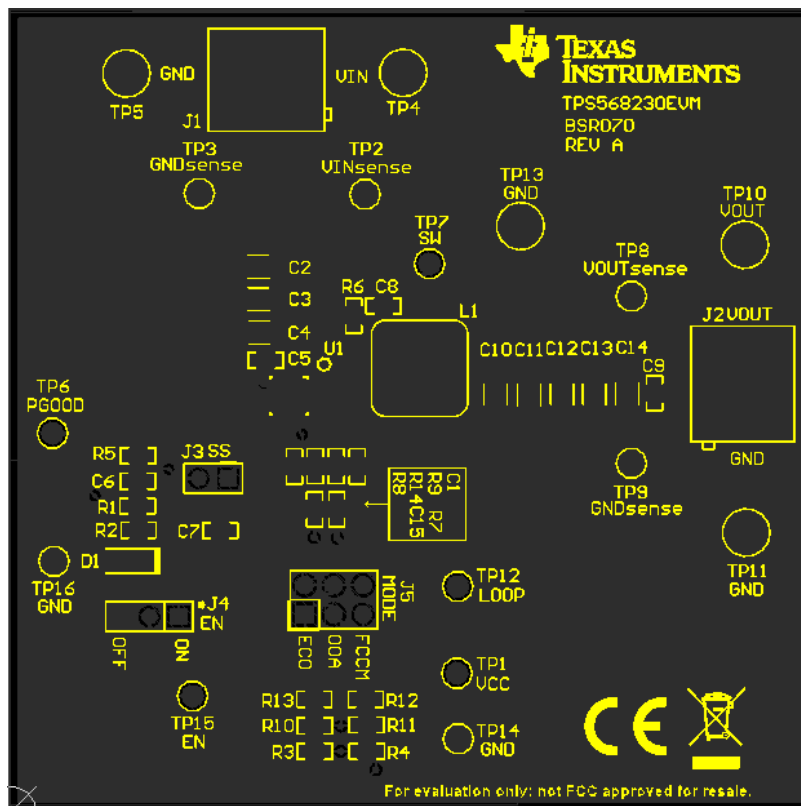


Figure 4-1. Component Placements

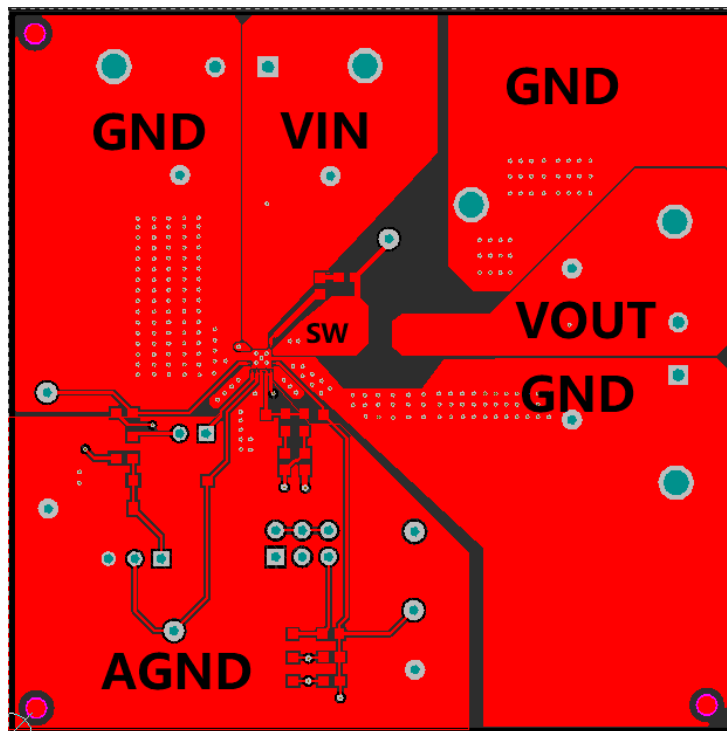


Figure 4-2. Top Layer

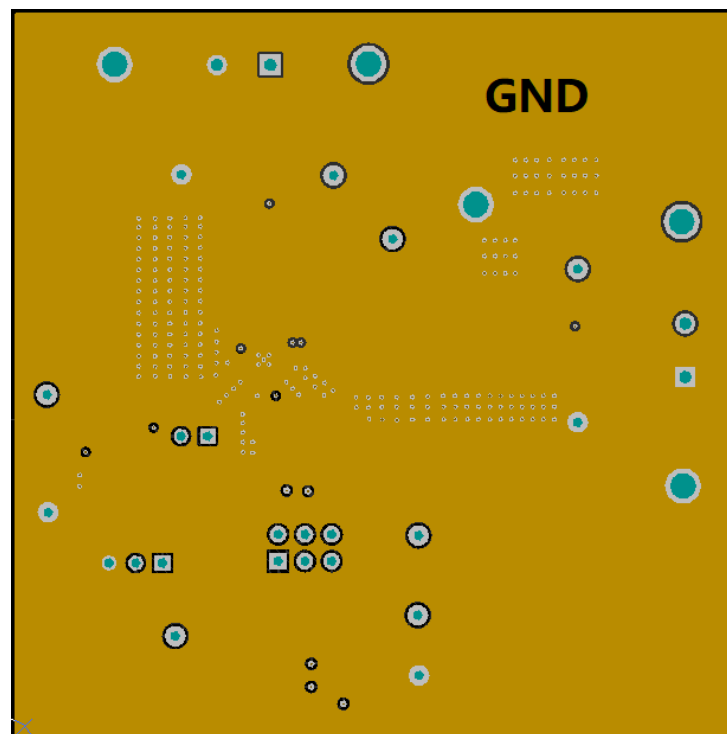


Figure 4-3. Internal Layer1

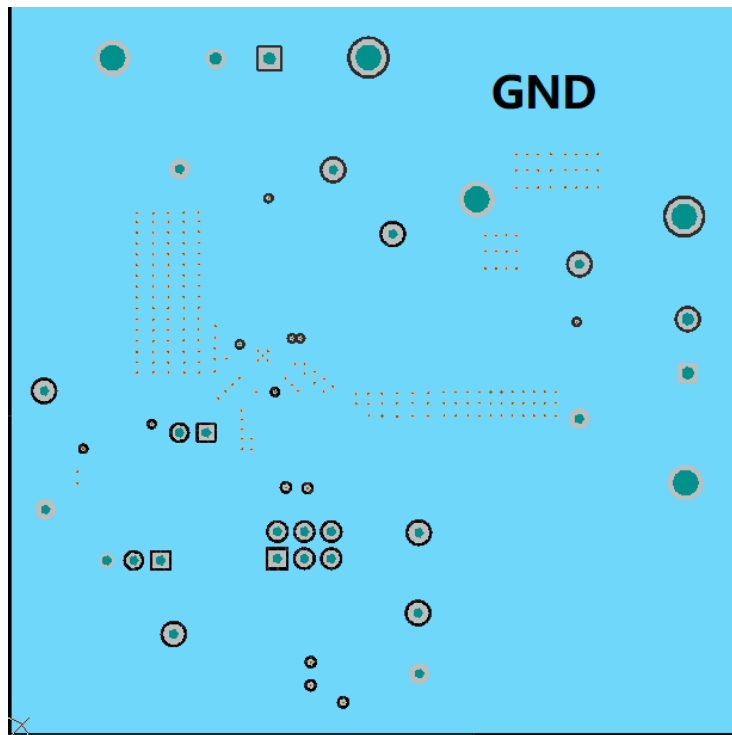


Figure 4-4. Internal Layer2

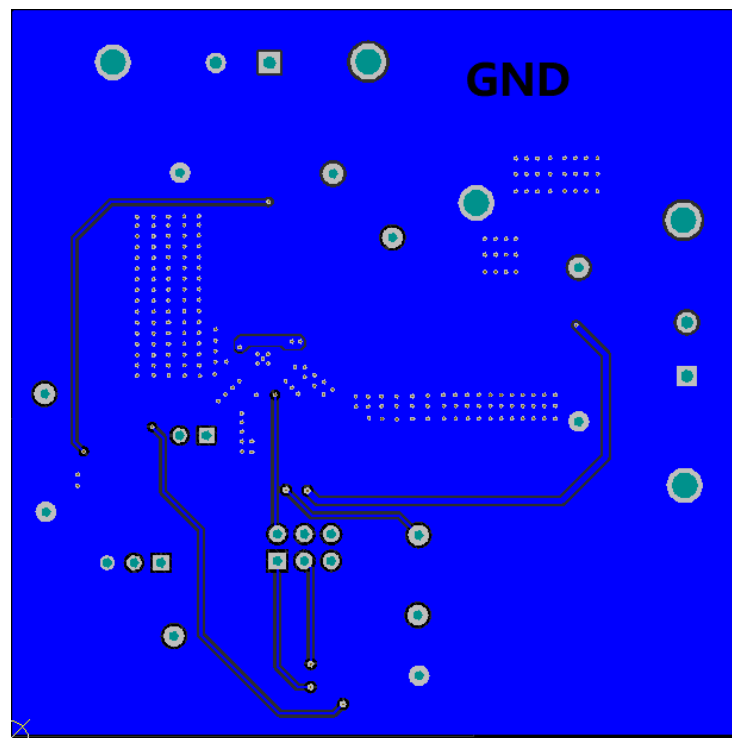


Figure 4-5. Bottom Layer

Figure 4-6 and Figure 4-7 are high resolution images of the EVM board.

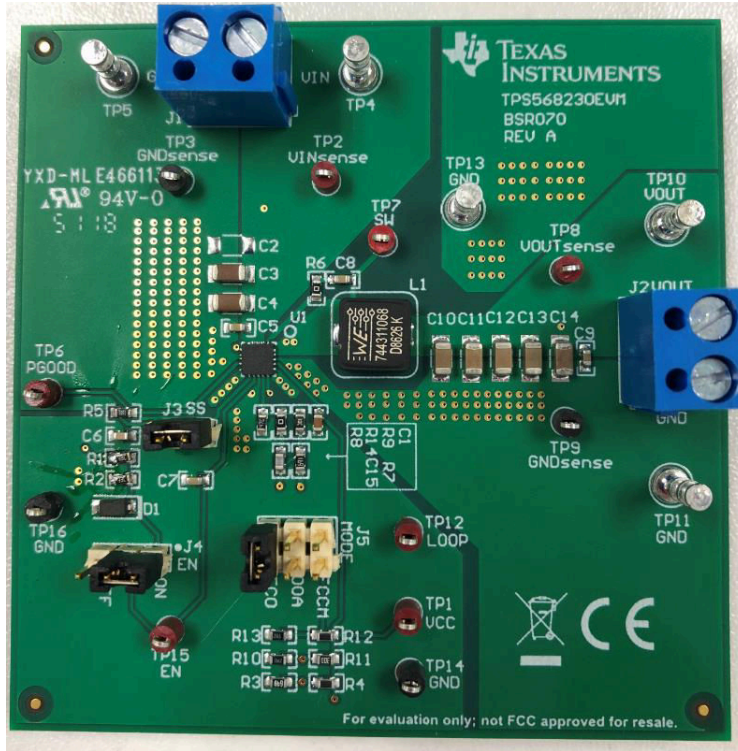


Figure 4-6. EVM Front View

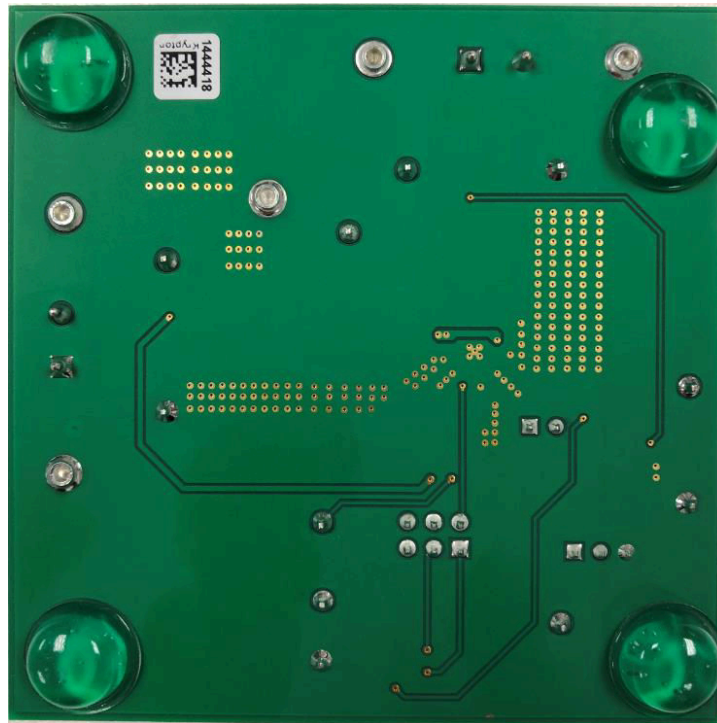


Figure 4-7. EVM Back View

5 Bench Test Setup conditions

This section describes how to properly connect, set up, and use the TPS568230EVM evaluation module.

5.1 Headers Description and Jumper Placement.

The TPS568230EVM header description is as [Figure 5-1](#). A power supply capable of supplying greater than 4 A must be connected to J1 through a pair of 20-AWG wires or better. The load must be connected to J2 through a pair of 20-AWG wires or better. The maximum load current capability is 8 A. Wire lengths must be minimized to reduce losses in the wires. Test point TP2 provides a place to monitor the VIN input voltages with TP3 providing a convenient ground reference. TP8 is used to monitor the output voltage with TP9 as the ground reference.

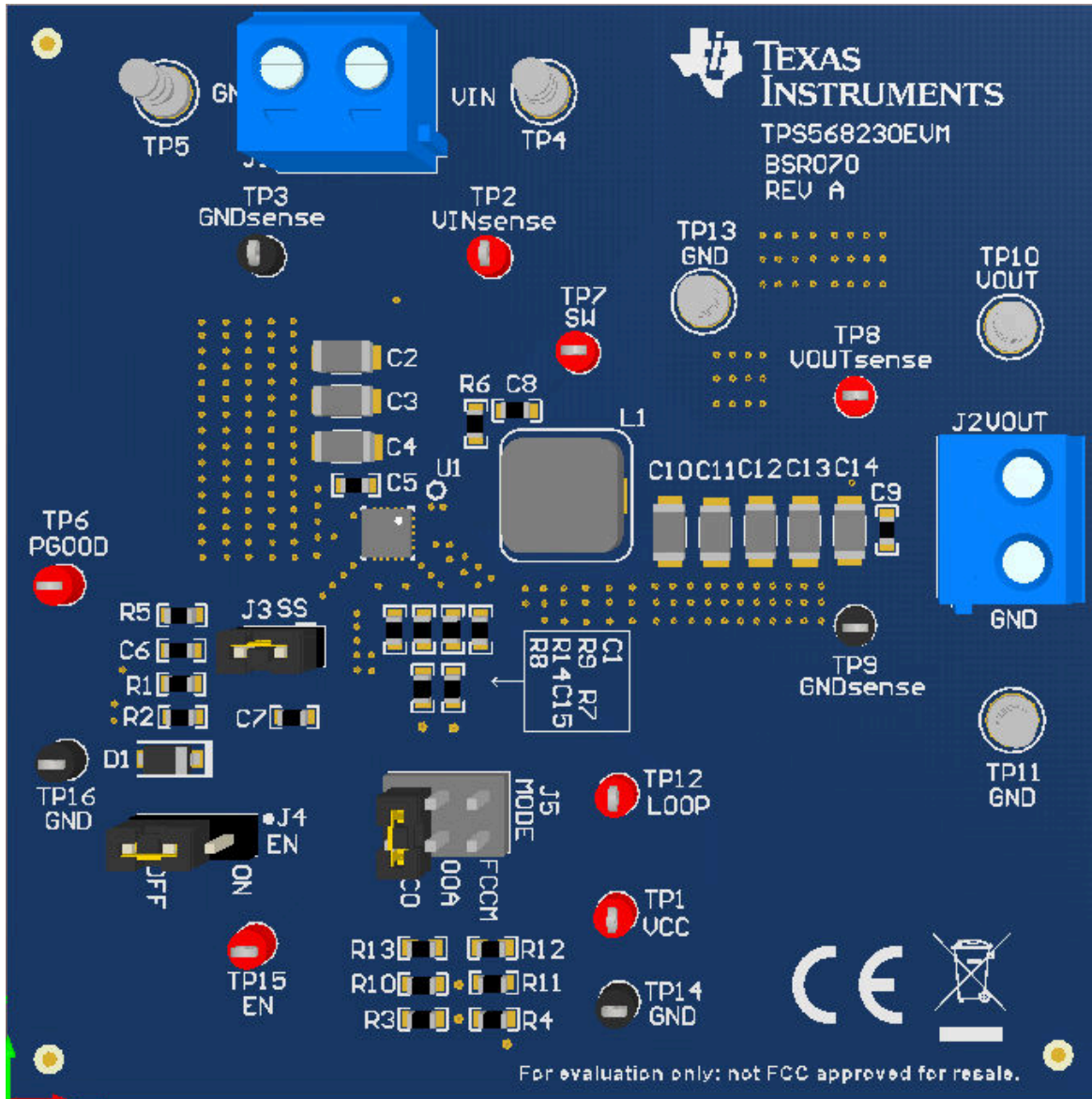


Figure 5-1. Headers Description and Jumper Placement

Connector and test point description is as [Table 5-1](#).

Table 5-1. Input and Output Connection

#	FUNCTION	DESCRIPTION
J1	VIN connector	VIN power
J2	VOUT connector	VOUT power
J3	Internal/external Soft Start selection	When short J3, IC uses external SS by charging the cap C6. When float J3, IC uses internal SS.
J4	Enable control	Middle pin is Buck Enable PIN. When this PIN is floating, the IC is disable. When the jumper short EN on, IC is enable. When the jumper short EN off, IC is disable.
J5	Mode selection	This EVM provides three kinds of mode. When short FCCM, IC works with forced continue current mode. Frequency is 600kHz. When short OOA, IC works with out of audio mode, frequency is 600kHz. When short ECO, IC works with pulse skip mode, frequency is 600kHz.
TP1	VCC test point	Test VCC
TP2	VIN test point	Test VIN
TP3/5/9/11/13/16/17	GND connector	
TP4	VIN connector	VIN power
TP6	PGOOD test point	Test PGOOD
TP7	SW test point	Test SW
TP8	VOUT test point	Test VOUT
TP10	VOUT connector	VOUT loading
TP12	Loop test point	test loop
TP15	Enable test point	test Enable signal

5.2 Power-Up Procedure

POWER-UP with external Enable Buck signal.

- 1, Select Mode function.
- 2, Apply 4.5 V~18 V to J1.
- 3, Apply 1.4 V~3.3 V to J4 middle pin(enable pin).
- 4, Apply loading to J2 output connector.

POWER-UP with V_{IN} control Enable Buck signal.

- 1, Select Mode function.
- 2, Connect J4 middle pin and left pin together with Jumper cap.
- 3, Apply 4.5 V~18 V to J1.
- 4, Apply loading to the J2 output connectors.

6 Test Waveform

6.1 Power Up

Figure 6-1 and Figure 6-2 show the start-up waveforms with 0-A and 8-A loading for the TPS568230EVM board. The applied input voltage is 12 V. Once the EN is high, Vout ramps up.

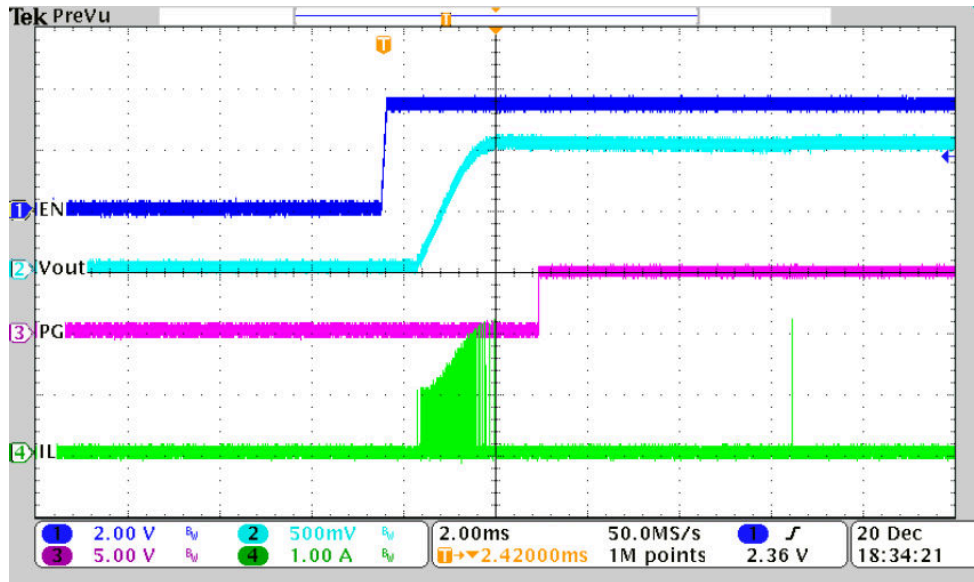


Figure 6-1. Power Up with 0 A

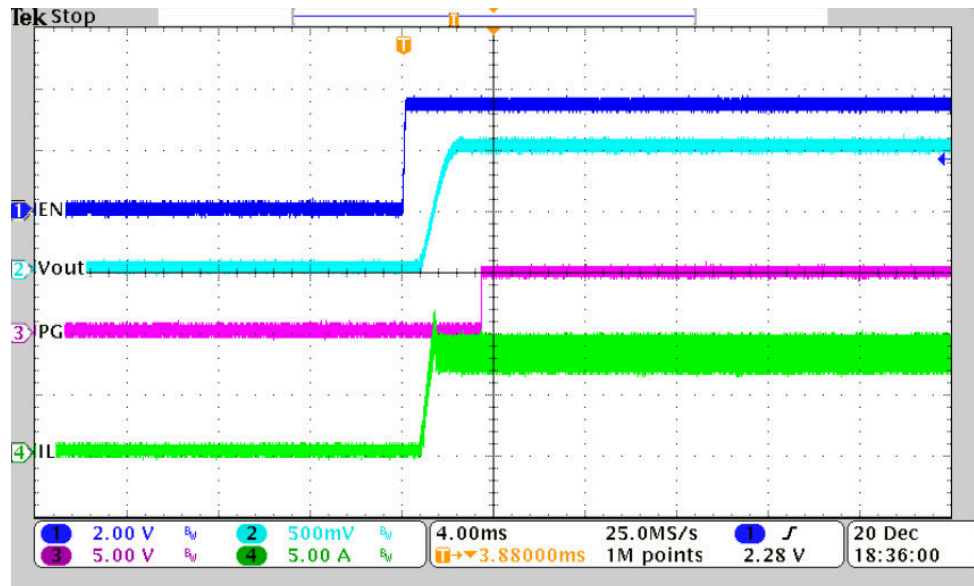


Figure 6-2. Power Up with 8 A

6.2 Power Down

Figure 6-3 and Figure 6-4 show the power down waveforms for the TPS568230EVM board. The applied input voltage is 12 V. Once the EN is down, Vout ramps down.

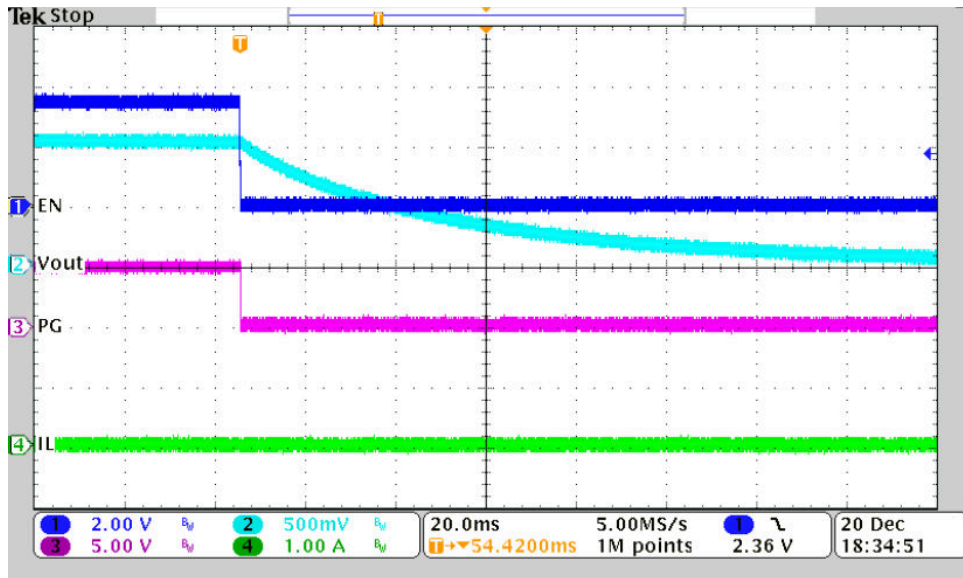


Figure 6-3. Power Down with 0 A

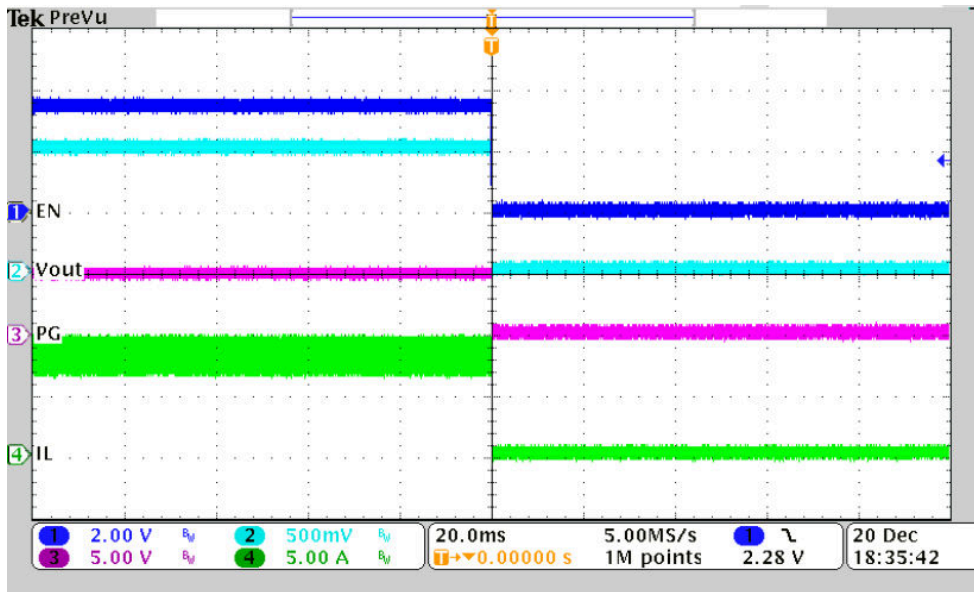


Figure 6-4. Power Down with 8 A

6.3 Output Voltage Ripple

Figure 6-5 and Figure 6-6 show the output voltage ripple with 0 A and 8 A for the TPS568230EVM board. The input voltage is 12 V.

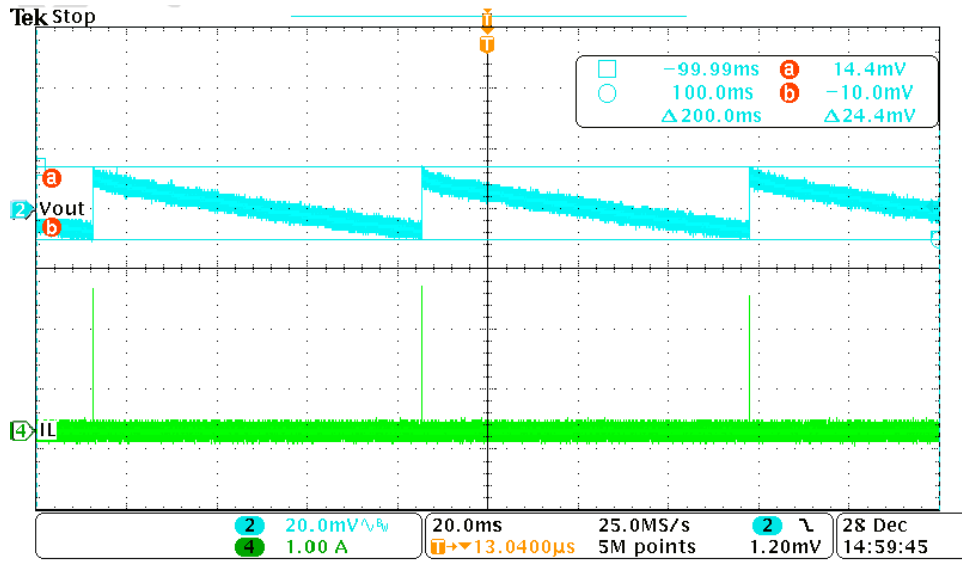


Figure 6-5. Output Ripple with 0 A Loading at ECO Mode

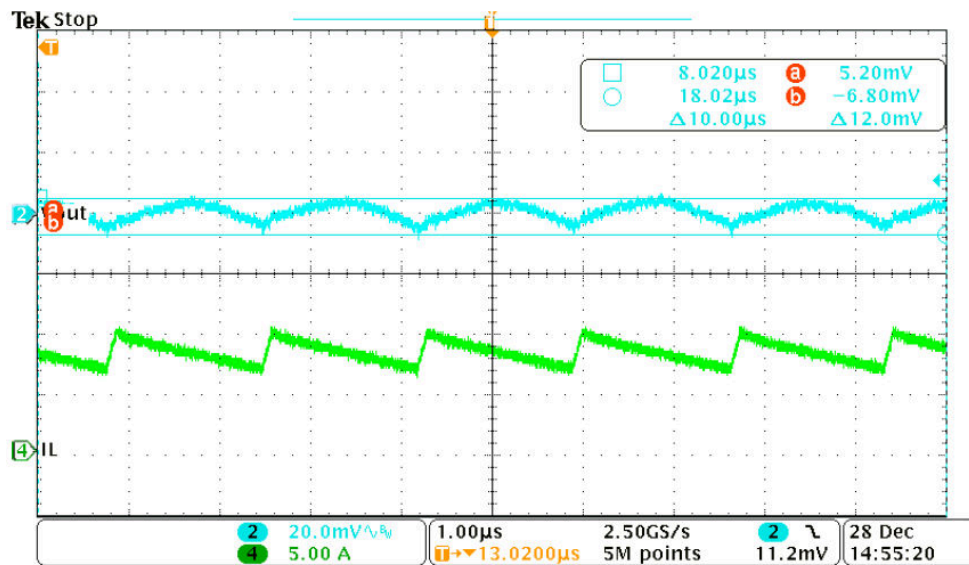


Figure 6-6. Output Ripple with 8 A Loading at ECO Mode

Figure 6-7 and Figure 6-8 show the output voltage ripple with 0-A loading at OOA mode and FCCM mode. Input voltage is 12 V.

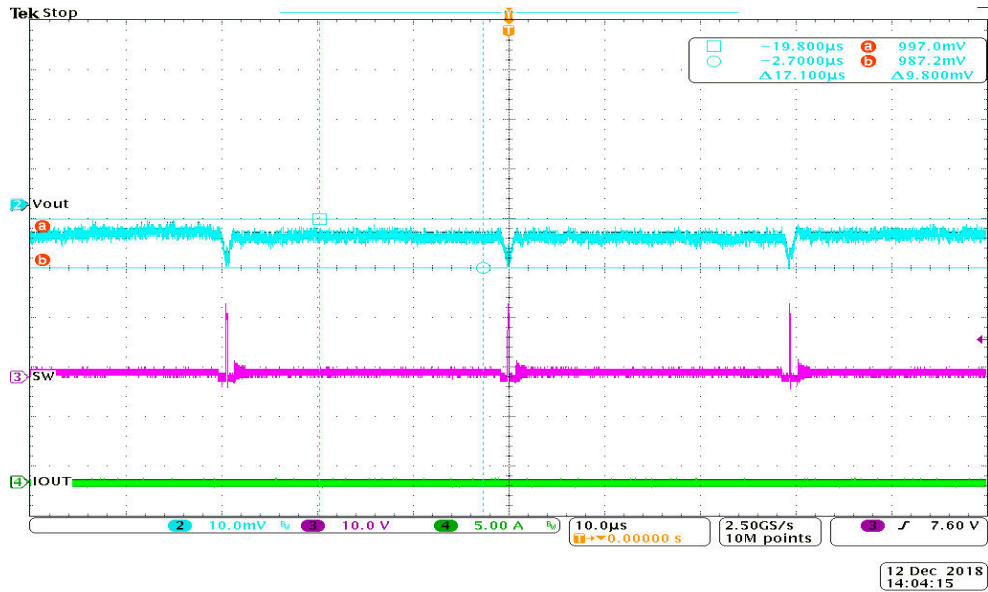


Figure 6-7. Output Ripple with 0 A at OOA Mode

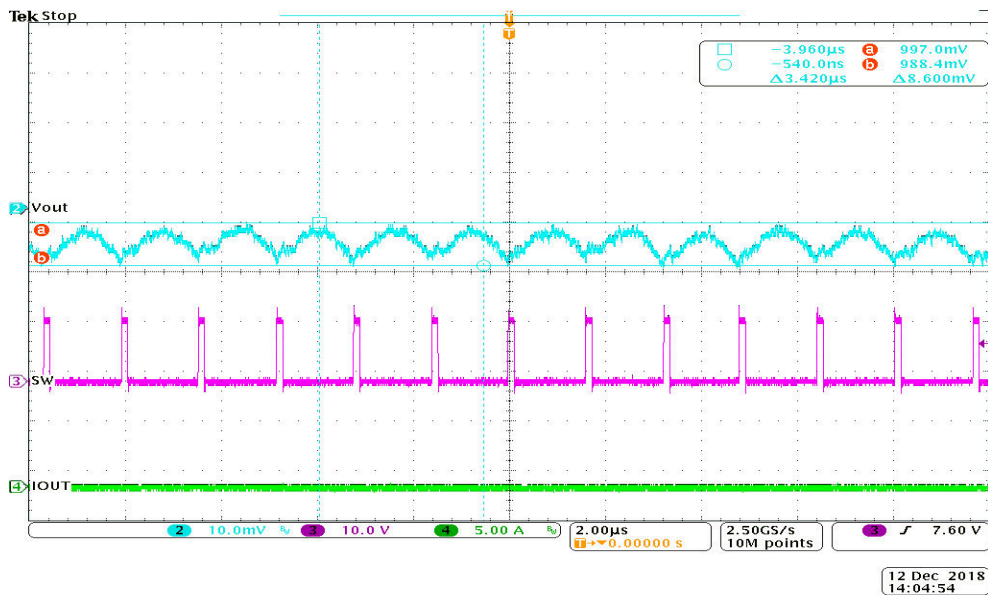


Figure 6-8. Output Ripple with 0 A at FCCM Mode

6.4 Load Transient

Below figures show TPS568230 response to load transient at 12-V input and 1.05-V output. In [Figure 6-9](#), the current step is from 0.8 A to 7.2 A and the current step slew rate is 2.5 A/ μ s. In [Figure 6-10](#), the current load is from 2 A to 6 A.

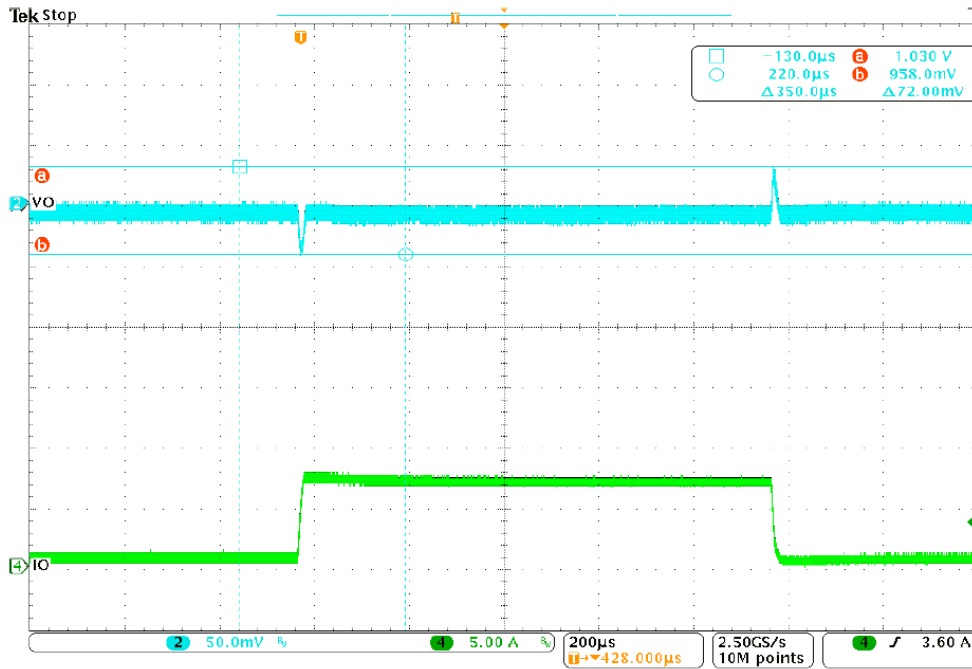


Figure 6-9. Load Transient from 0.8 A to 7.2 A

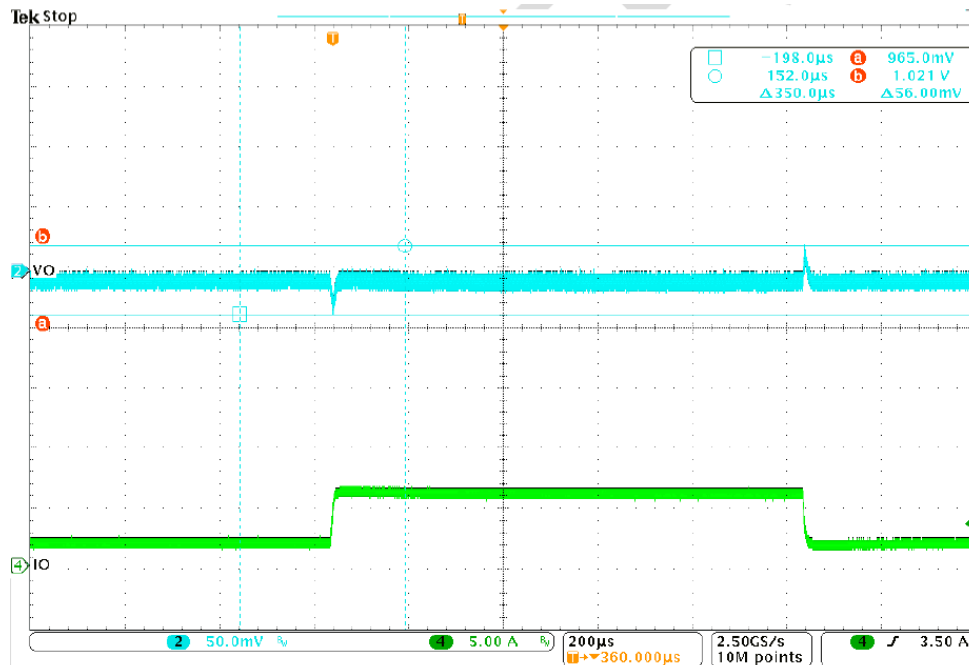


Figure 6-10. Load Transient from 2 A to 6 A

6.5 Thermal

The thermal image in [Figure 6-11](#) shows the EVM with 12-V input, 1.05-V output and full loading of 8 A at room temperature.

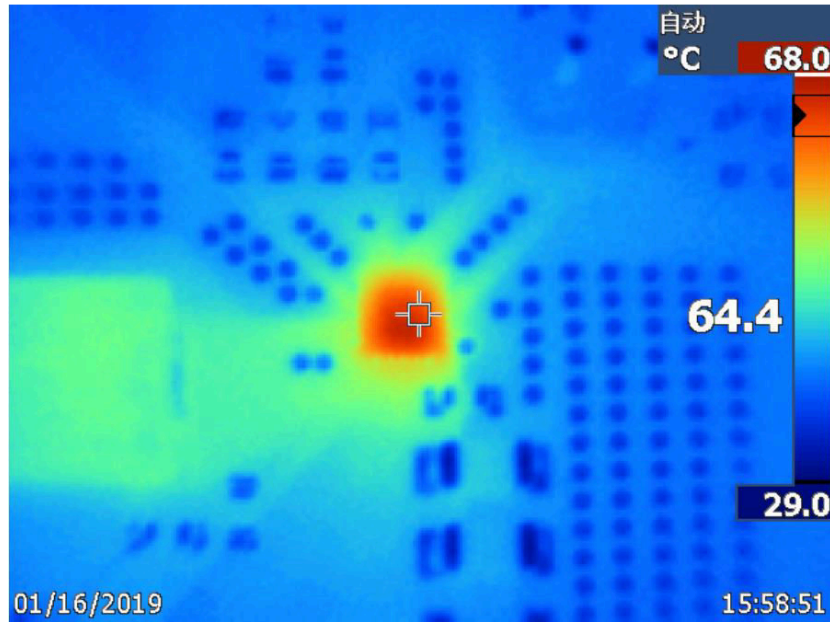


Figure 6-11. Thermal

7 Revision History

NOTE: Page numbers for previous revisions may differ from page numbers in the current version.

Changes from Revision * (February 2019) to Revision A (June 2021)	Page
• Updated user's guide title.....	2
• Updated the numbering format for tables, figures, and cross-references throughout the document.	2

IMPORTANT NOTICE AND DISCLAIMER

TI PROVIDES TECHNICAL AND RELIABILITY DATA (INCLUDING DATA SHEETS), DESIGN RESOURCES (INCLUDING REFERENCE DESIGNS), APPLICATION OR OTHER DESIGN ADVICE, WEB TOOLS, SAFETY INFORMATION, AND OTHER RESOURCES "AS IS" AND WITH ALL FAULTS, AND DISCLAIMS ALL WARRANTIES, EXPRESS AND IMPLIED, INCLUDING WITHOUT LIMITATION ANY IMPLIED WARRANTIES OF MERCHANTABILITY, FITNESS FOR A PARTICULAR PURPOSE OR NON-INFRINGEMENT OF THIRD PARTY INTELLECTUAL PROPERTY RIGHTS.

These resources are intended for skilled developers designing with TI products. You are solely responsible for (1) selecting the appropriate TI products for your application, (2) designing, validating and testing your application, and (3) ensuring your application meets applicable standards, and any other safety, security, regulatory or other requirements.

These resources are subject to change without notice. TI grants you permission to use these resources only for development of an application that uses the TI products described in the resource. Other reproduction and display of these resources is prohibited. No license is granted to any other TI intellectual property right or to any third party intellectual property right. TI disclaims responsibility for, and you will fully indemnify TI and its representatives against, any claims, damages, costs, losses, and liabilities arising out of your use of these resources.

TI's products are provided subject to [TI's Terms of Sale](#) or other applicable terms available either on ti.com or provided in conjunction with such TI products. TI's provision of these resources does not expand or otherwise alter TI's applicable warranties or warranty disclaimers for TI products.

TI objects to and rejects any additional or different terms you may have proposed.

Mailing Address: Texas Instruments, Post Office Box 655303, Dallas, Texas 75265
Copyright © 2022, Texas Instruments Incorporated