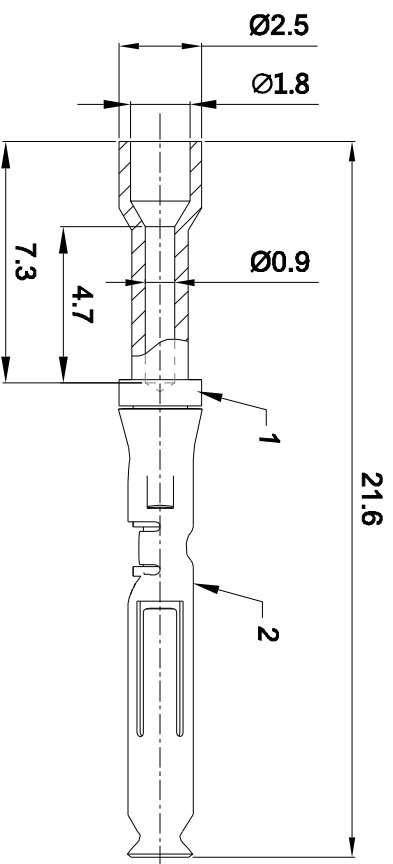


REVISIONS				
REV	ECO	DESCRIPTION	DATE	BY APPR
B1	-	RELEASED DRAWING	JAN-18-2014	ARROW TOMMY



P/N	CONTACT PLATING(MATING AREA)
MS24W23F	GOLD FLASH PLATING OVER NICKEL
MS24W23G10	10µ" GOLD PLATING OVER NICKEL
MS24W23G15	15µ" GOLD PLATING OVER NICKEL
MS24W23G30	30µ" GOLD PLATING OVER NICKEL

- NOTES : (UNLESS OTHERWISE SPECIFIED)
- MATERIAL :
 - CONTACT BODY : COPPER ALLOY.
 - POSITIONING CLIP : STAINLESS STEEL.
 - SPECIFICATIONS :
 - CURRENT RATING : 7.5A(MAX).
 - TERMINATION TYPE : CRIMPING.
 - CRIMP WIRE RANGE : 26~24AWG.
 - SUITABLE SOCKET TYPE : MP24W23XX.
 - ROHS COMPLIANT.
 - ALL DIMENSION ARE FOR REFERENCE USE ONLY.

QUANTITY	PART NUMBER	DESCRIPTION	ITER
MATERIALS LIST			
UNLESS OTHERWISE SPECIFIED			
1) ALL DIMENSIONS ARE IN INCHES.			
2) TOLERANCES ARE AS FOLLOWS:			
Ft. DEC 20 20			
In. DEC 20 20			
3) Note reference =			
SIGNATURES		DATE	
DRAWN: ARROW	DATE: 1/17/14		
CHECKED:	DATE:		
ENGINEER:	DATE:		
APPROVAL:	DATE:		
CUSTOMER:			
PROCESS SPECIFICATIONS:	THIS DRAWING IS SUPPLIED FOR INFORMATION ONLY. IT IS NOT TO BE USED FOR MANUFACTURING PURPOSES. THE MANUFACTURER SHALL BE RESPONSIBLE FOR THE PRODUCTION OF REPRODUCTION AND ALL RIGHTS OF REPRODUCTION ARE RESERVED. ALL MANUFACTURING VARIATIONS.		
NEXT ASST:			
Eco-Mate Socket Contact, Machine: 26-24AWG, Size 20		SCALE: NONE	
SHEET 1 OF 1		REVISION B1	

Amphenol

Sine Systems - www.amphenol-sine.com
44724 Monkey Drive
Clinton Township, MI 48038

Eco-Mate Socket Contact,
Machine: 26-24AWG, Size 20

MS24W23XX