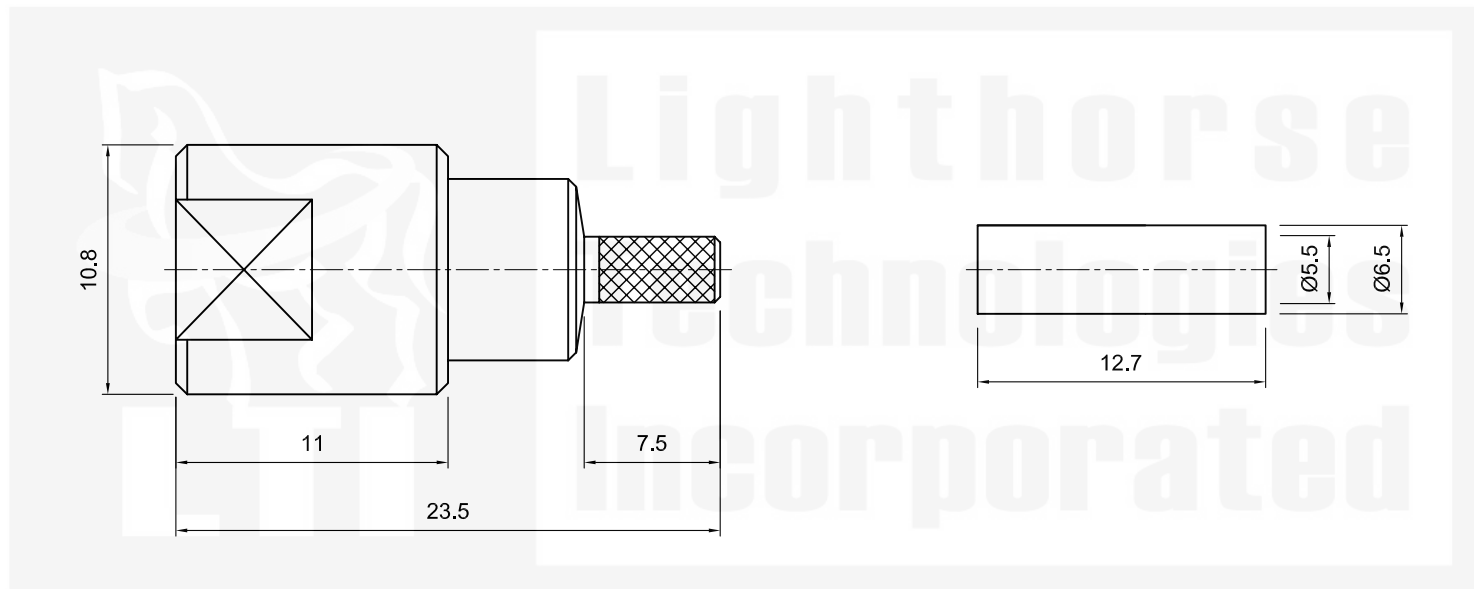



Tolerances 1-20=+/-0.2 20-30=+/-0.3 30-40=+/-0.4 40-50=+/-0.5 50-100=+/-0.75 100-300=+/-1.5 Angles=+/-1 Dimensions are In Millimeters	Revisions	Approved	Date
	Description/Approved/Date	M.H.	01/11/02
		Checked	Date
		M.H.	01/13/02
	Drawn	Date	
	K.R.E.	01/11/02	
NOTES (plating thickness in micro-inches): 1. Per QQ-B-626 2. Per QQ-S-764 3. Per QQ-C-530 4. Per QQ-B-750 5. Per MIL-P-19468 6. Per ZZ-R-765 7. Per WW-T-799 8. Gold pl. 5 min. over nickel pl. 50 min. over copper strike 9. Nickel pl. 100 min. over copper strike 10. Per QQ-P-35 11. Gold pl. 3 min. over nickel pl. 50 min. over copper strike			



ITEM	MATERIAL	FINISH	Lighthouse Technologies, Inc.		
Connector Body	Brass, Note 1	Nickel, Note 9		9511 Ridgehaven Court, Suite B San Diego, California 92123	
Center Contact: Male	Brass, Note 1	Gold, Note 11		Part Number: LTI-FMESM11ND-58	
Insulation	Delrin	None		Description FME crimp plug for RG-58 cable.	
Ferrule	Annealed Copper, Note 7	Same as body			
Gasket	--	--			
Hex Nut	--	--			
Lock Washer	--	--	Scale 3:1	Drawing No.	File Name FMESM11-58