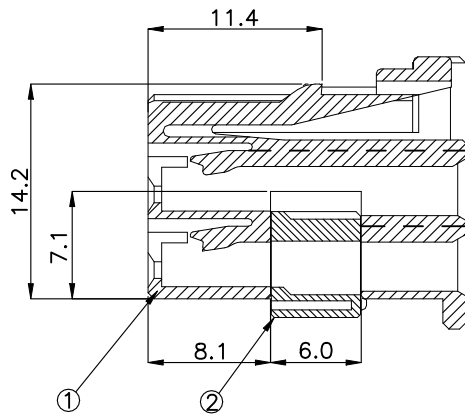
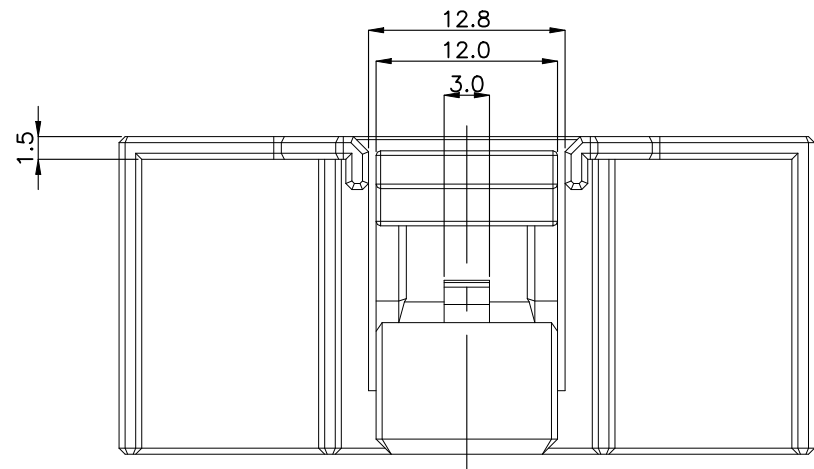
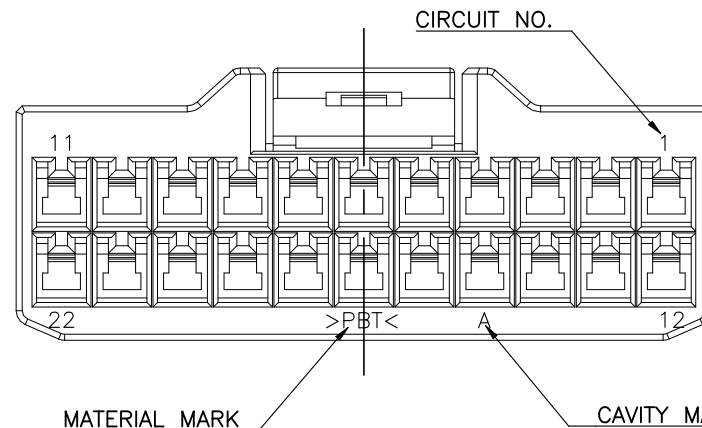
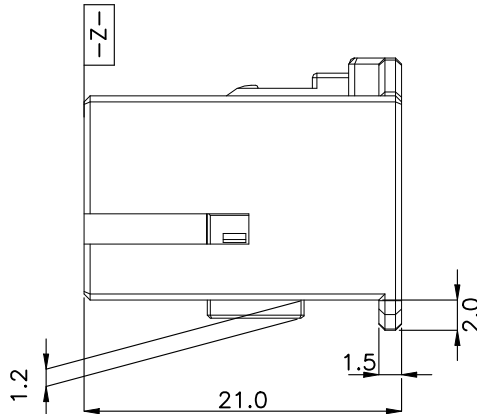
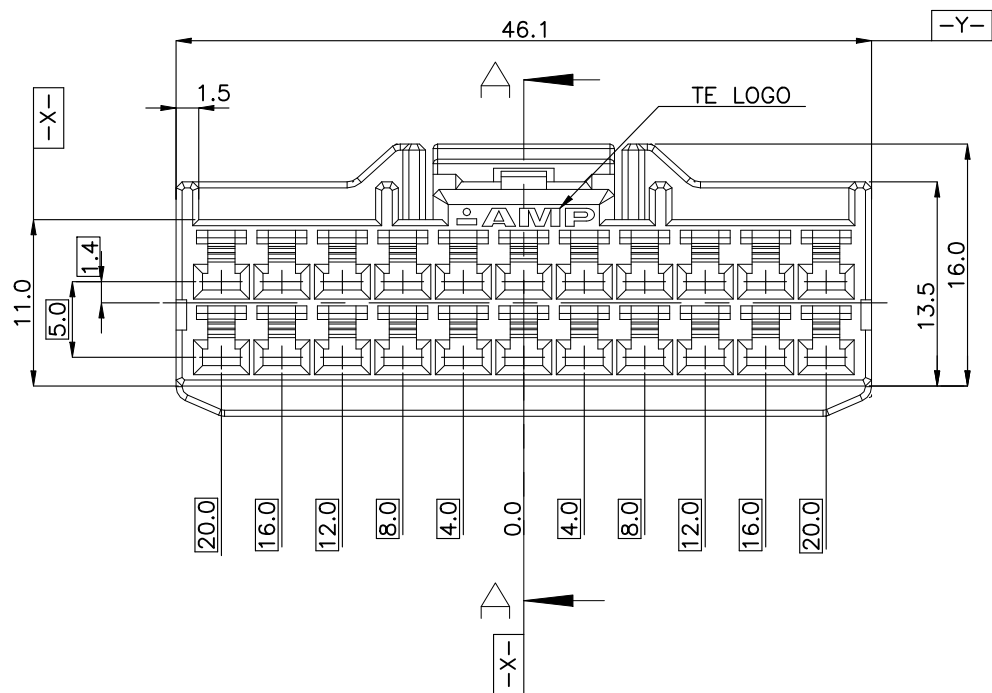
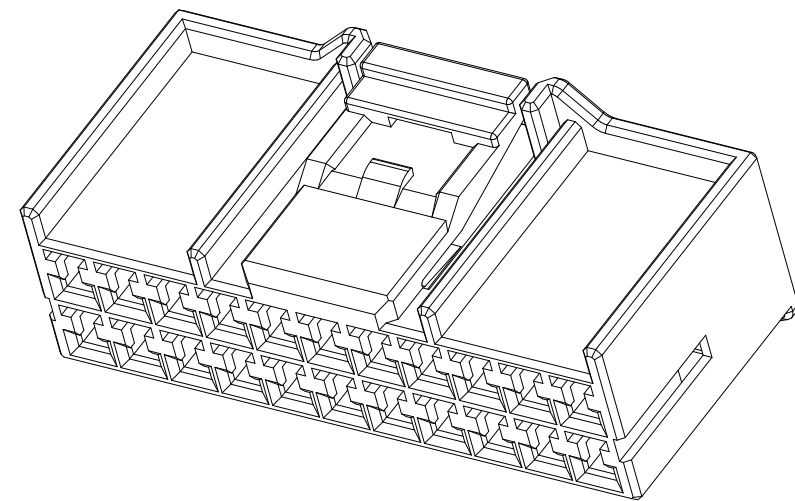


P	LTR	DESCRIPTION	DATE	DWN	APVD
C3		REVISED (ECR-23-172163)	13APR2023	HG	YJ



SECTION A-A



ASSY P/N	1	1	1	1	1	1	1	1	1	1
1-936151-3										
0-936151-8										
0-936151-7										
0-936151-6										
0-936151-5										
0-936151-4										
0-936151-3										
0-936151-2										
0-936151-1										

TOLERANCES UNLESS OTHERWISE SPECIFIED:

0 <XX<10	± 0.2
10<XX<30	± 0.25
30<XX	± 0.3
ANGLES	± 3°

NO	COLOR	MATERIAL	DESCRIPTION	P/N	QTY
1	D/GRAY	PBT	PLUG	1-936152-3	1
	BLUE	PBT	PLUG	0-936152-8	1
	GREEN	PBT	PLUG	0-936152-7	1
	RED	PBT	PLUG	0-936152-6	1
	YELLOW	PBT	PLUG	0-936152-5	1
	BROWN	PBT	PLUG	0-936152-4	1
	L/GRAY	PBT	PLUG	0-936152-3	1
	BLACK	PBT	PLUG	0-936152-2	1
2	NATURAL	PBT	DBL	0-936152-1	1
NO				0-936153-1	1 1 1 1 1 1 1 1 1 1

- NOTES.
- THE MATING HSG. P/N ; 936154
  - APPLIED CONTACT P/N ; 090 II REC.- 368083,368084,368085  
090 III REC.- 1743654,1743655,1743656,1897753,1897598

- 주 기-
- 상대 하우징 P/N. ; 936154
  - 적용단자 P/N. ; 090 II REC.- 368083,368084,368085  
090 III REC.- 1743654,1743655,1743656,1897753,1897598

THIS DRAWING IS A CONTROLLED DOCUMENT.

DIMENSIONS: mm	TOLERANCES UNLESS OTHERWISE SPECIFIED:	DWN SJ CHOI	TE Connectivity 090III 22P PLUG ASS'Y
	0 PLC ± - 1 PLC ± - 2 PLC ± - 3 PLC ± - 4 PLC ± - ANGLES ± -	CHK JW JUNG	
		APVD HG CHO	
MATERIAL	FINISH	PRODUCT SPEC	

PRODUCT SPEC	APPLICATION SPEC	SIZE	CAGE CODE	DRAWING NO	RESTRICTED TO
-	-	0	A300779	C-936151	-

CUSTOMER DRAWING SCALE 2:1 SHEET 1 OF 1 REV C3