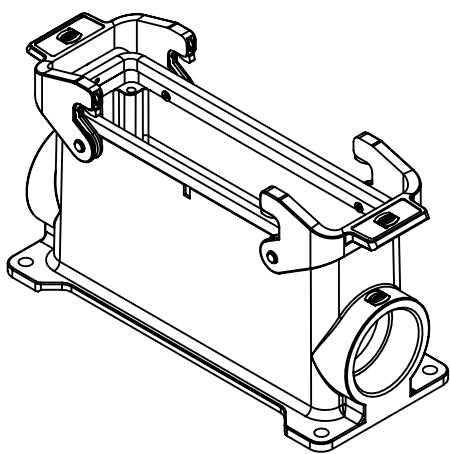
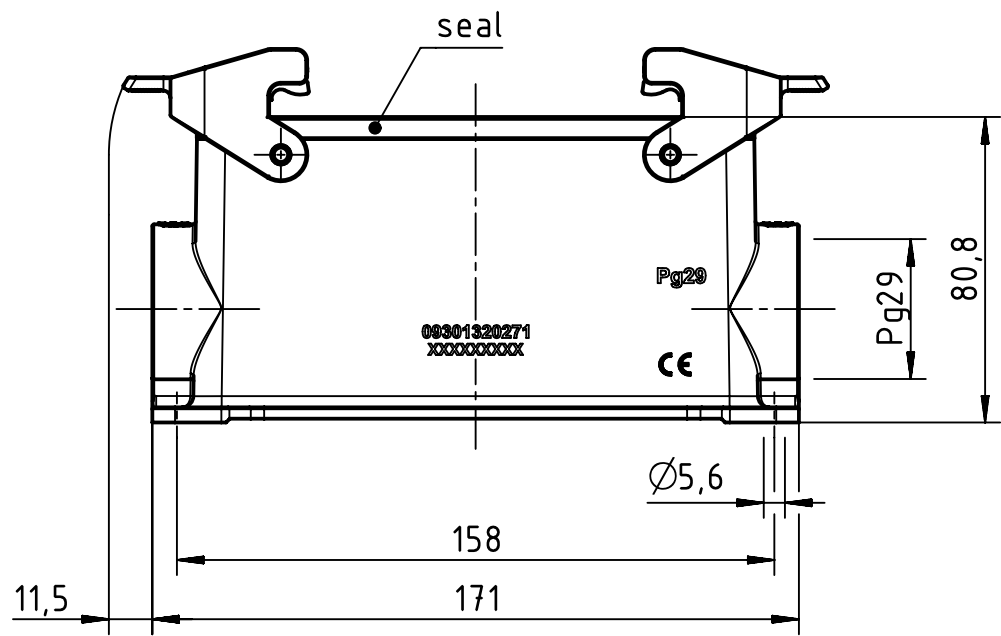
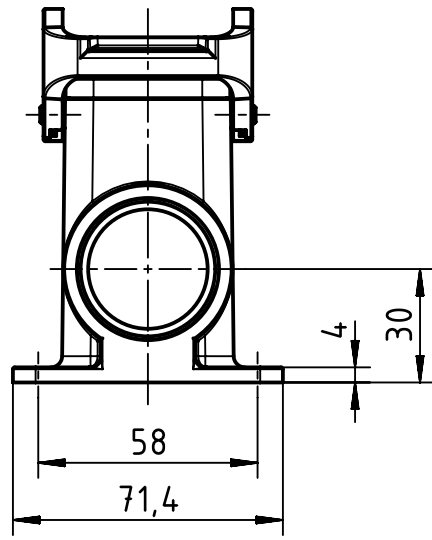


A

B

C

D



	All rights reserved Department EL PD HARTING Electric GmbH & Co. KG D-32339 Espelkamp	All Dimensions in mm Original Size DIN A4		Scale 1:2	Free size tol.	Ref. Sub.
		Created by HUK	Inspected by WANGSTE	Standardisation TIEMANNA	Date 2020-10-13	State Final Release
Title Han L32 B HSM1 DL PG29					Doc-Key / ECM-Nr. 100854.023/UGD/001/A 500000179734	
Type TB			Number 09 30 132 0271		Rev. A	Page 1/1