

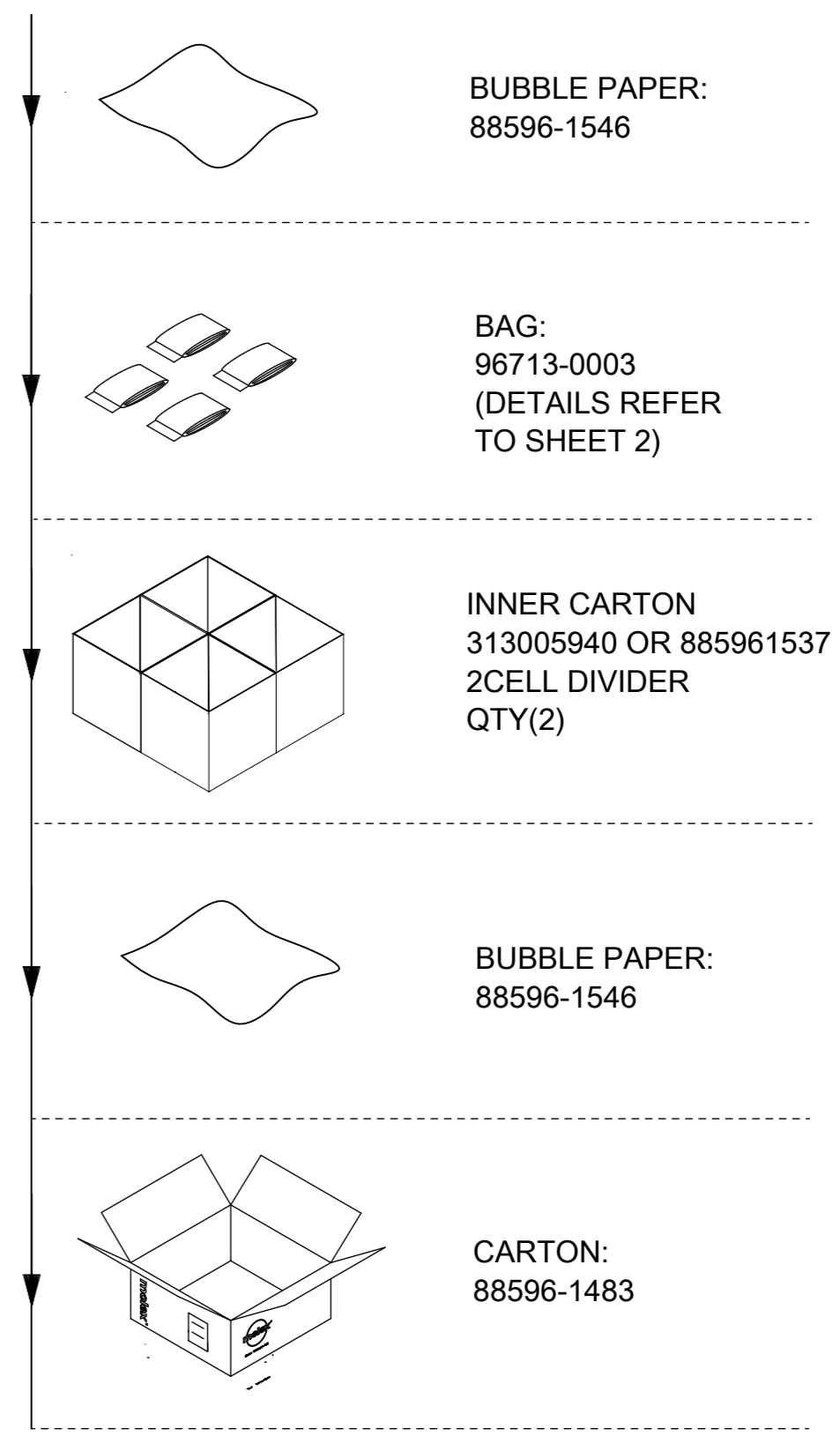




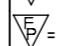
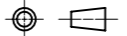
PART NUMBER	CKTS	QUANTITY PER BAG	BAGS PER CARTON	PARTS PER CARTON (SPQ)	MOISTURIZATION METHOD 	PANEL LOCK
215922-0201	2	3000	4	12000	NO MOISTURIZATION	WITHOUT
215922-0401	4	2600	4	10400		
215922-0601	6	2000	4	8000		
215922-0801	8	1700	4	6800		
215922-1001	10	1400	4	5600		
215922-1201	12	1000	4	4000		
215922-1401	14	800	4	3200		
215922-1601	16	800	4	3200		
215922-1801	18	600	4	2400		
215922-2001	20	600	4	2400		
215922-2201	22	600	4	2400		
215922-2401	24	450	4	1800		
215922-0200	2	2000	4	8000	SEE SHEET 2	WITH
215922-0400	4	1800	4	7200		
215922-0600	6	1600	4	6400		
215922-0800	8	1100	4	4400		
215922-1000	10	1000	4	4000		
215922-1200	12	900	4	3600		
215922-1400	14	800	4	3200		
215922-1600	16	700	4	2800		
215922-1800	18	600	4	2400		
215922-2000	20	600	4	2400		
215922-2200	22	400	4	1600		
215922-2400	24	350	4	1400		

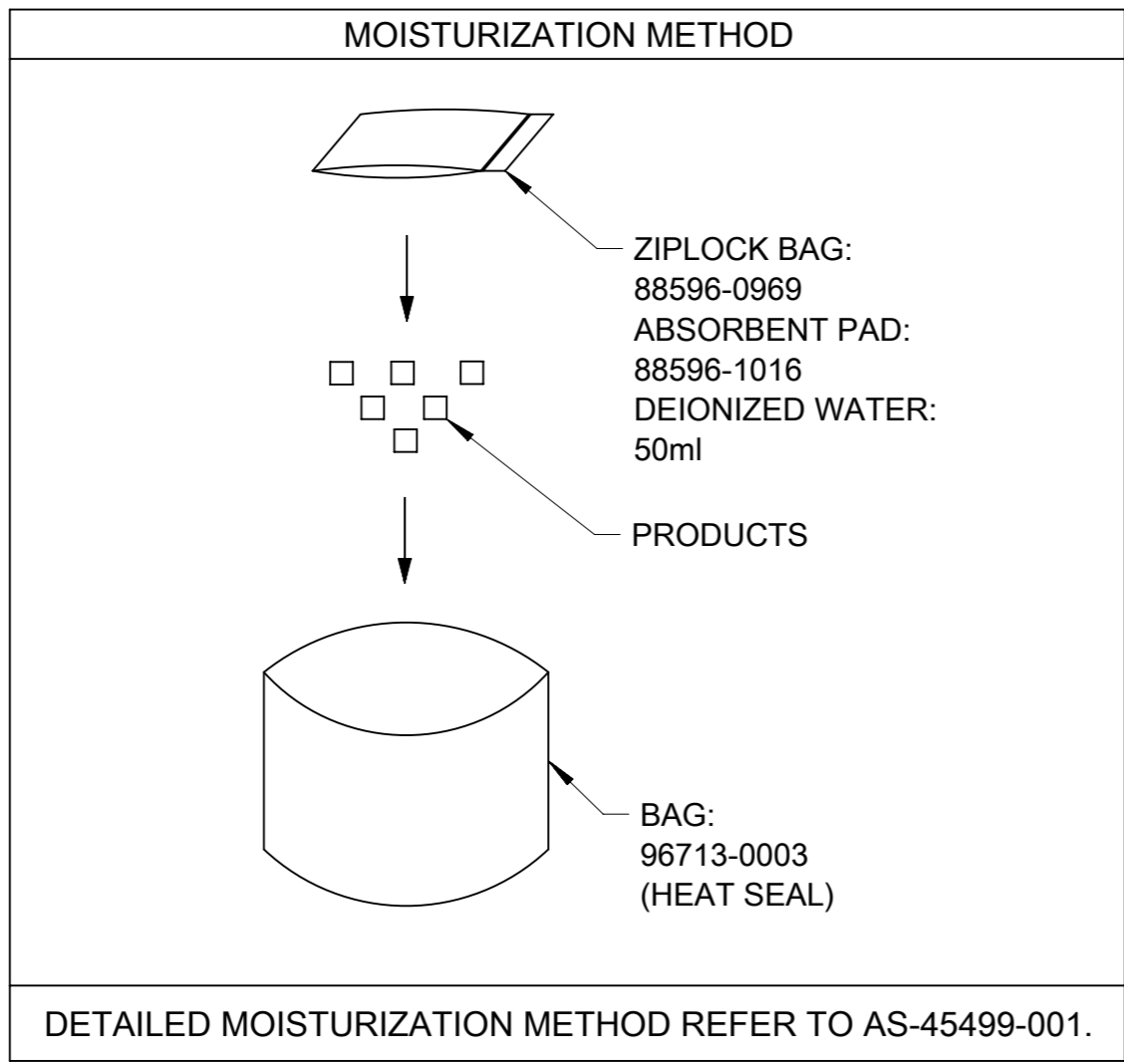
TBD: NO PRODUCTION, TO BE ADDED AFTER BEING PRODUCED.

NOTES:

-  MOISTURIZATION METHOD DESCRIPTIONS REFER TO SHEET 2.
- STANDARD PACKAGE QUANTITY (SPQ) SEE ABOVE CHART.
- PACKAGE WAY FOLLOW RIGHT ILLUSTRATION.
- ALL PACKAGE MATERIAL AND PRODUCT COMPLIANT TO RoHS DIRECTIVE 2011/65/EU AND ELV DIRECTIVE 2000/53/EC.

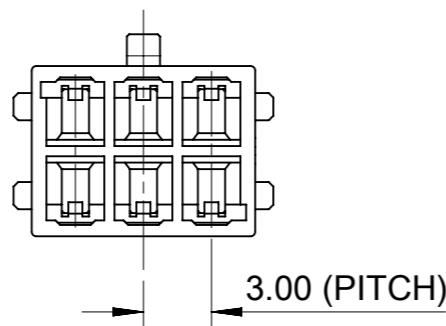
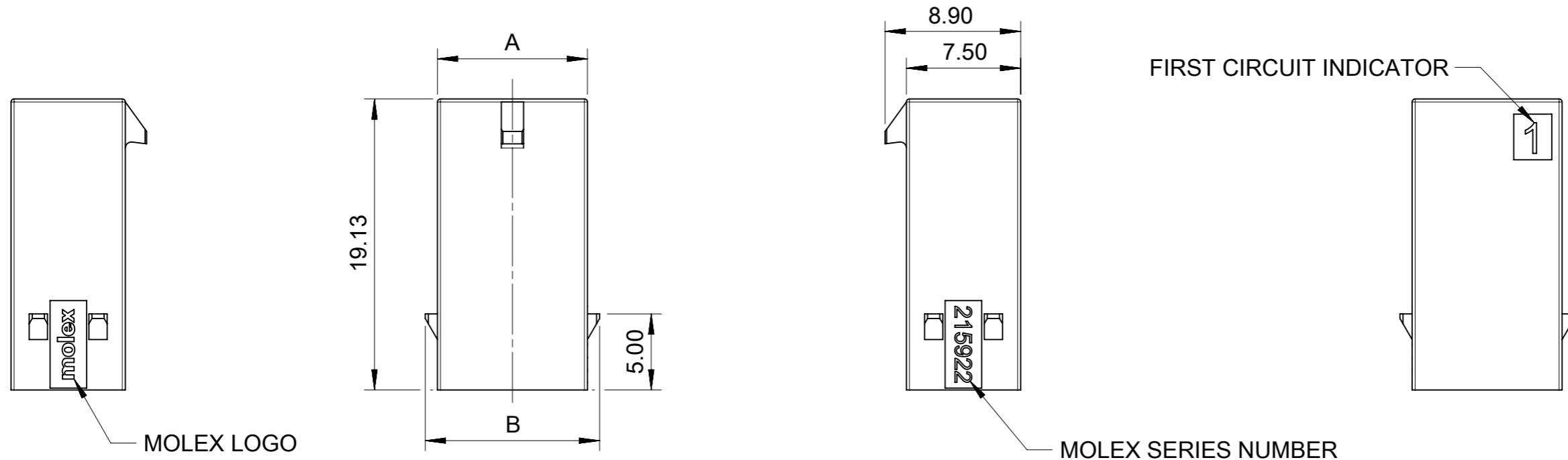


FUNCTIONAL SYMBOLS	THIS DRAWING CONTAINS INFORMATION THAT IS PROPRIETARY TO MOLEX ELECTRONIC TECHNOLOGIES, LLC AND SHOULD NOT BE USED WITHOUT WRITTEN PERMISSION		CURRENT REV DESC:			molex		
	 = 0  = 0  = 0	DIMENSION UNITS: mm SCALE: 1:1						
DIVISIONAL SYMBOLS	4 PLACES	±	EC NO: 725570			PACKING SPEC FOR MICRO-FIT PLUS WTW HSG		
	3 PLACES	± 0.1	DRWN: GLLI 2022/08/29			PRODUCT CUSTOMER DRAWING		
	2 PLACES	± 0.3	CHK'D: XQZHANG 2022/10/31			DOCUMENT NUMBER: 2159220000-PK		
	1 PLACE	± 0.5	APPR: XQZHANG 2022/10/31			DOC TYPE: PSD		
	0 PLACES	±	INITIAL REVISION: DRWN: GLLI 2021/10/28			DOC PART: 000		
DRAFT WHERE APPLICABLE MUST REMAIN WITHIN DIMENSIONS		THIRD ANGLE PROJECTION	DRAWING	SERIES	MATERIAL NUMBER	CUSTOMER	REVISION: B	
			A3-SIZE	215922			SHEET NUMBER: 1 OF 2	



FUNCTIONAL SYMBOLS	THIS DRAWING CONTAINS INFORMATION THAT IS PROPRIETARY TO MOLEX ELECTRONIC TECHNOLOGIES, LLC AND SHOULD NOT BE USED WITHOUT WRITTEN PERMISSION		
$\nabla_A = 0$	DIMENSION UNITS	SCALE	<p style="margin: 0;">molex</p> <p style="margin: 0; font-size: 8px;">PACKING SPEC FOR MICRO-FIT PLUS WTW HSG</p> <p style="margin: 0; font-size: 8px;">PRODUCT CUSTOMER DRAWING</p>
$\nabla_F = 0$	mm	1:1	
$\nabla_P = 0$	GENERAL TOLERANCES (UNLESS SPECIFIED)		
	ANGULAR TOL	± °	
DIVISIONAL SYMBOLS			EC NO: 725570 DRWN: GLLI 2022/08/29 CHK'D: XQZHANG 2022/10/31 APPR: XQZHANG 2022/10/31
	4 PLACES	±	INITIAL REVISION:
	3 PLACES	± 0.1	DRWN: GLLI 2021/10/28
	2 PLACES	± 0.3	APPR: XQZHANG 2021/11/15
	1 PLACE	± 0.5	
	0 PLACES	±	
DRAFT WHERE APPLICABLE MUST REMAIN WITHIN DIMENSIONS		THIRD ANGLE PROJECTION	DRAWING
			SERIES
			MATERIAL NUMBER
		A3-SIZE	CUSTOMER
		215922	SHEET NUMBER
			2 OF 2

FREE HANGING PLUG PARTS

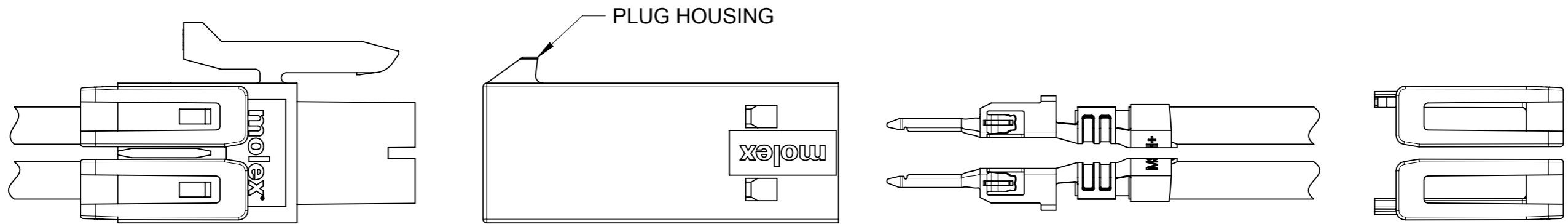
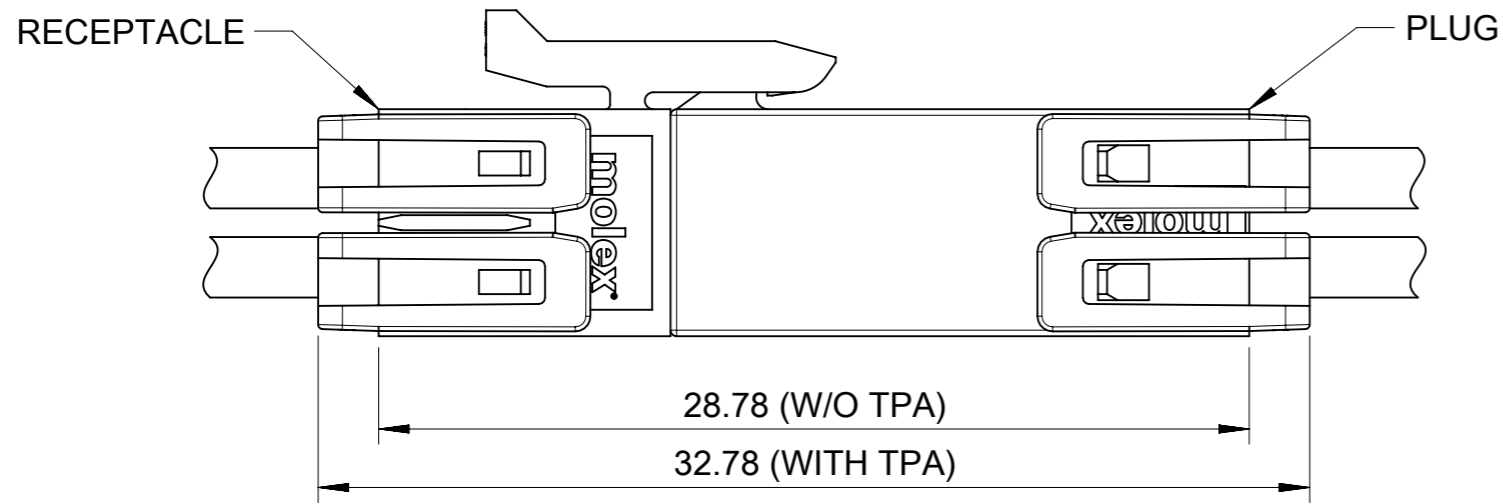


PART No	DIM'A'	DIM'B'	CKT SIZE
215922-0201	3.85	5.45	2
215922-0401	6.85	8.45	4
215922-0601	9.85	11.45	6
215922-0801	12.85	14.45	8
215922-1001	15.85	17.45	10
215922-1201	18.85	20.45	12
215922-1401	21.85	23.45	14
215922-1601	24.85	26.45	16
215922-1801	27.85	29.45	18
215922-2001	30.85	32.45	20
215922-2201	33.85	35.45	22
215922-2401	36.85	38.45	24

- NOTES:
1. MATERIAL: PA66, 94V-0, BLACK.
 2. PRODUCT SPECIFICATION: 2159530000-PS.
 3. PACKAGE SPECIFICATION: 2159220000-PK.
 4. TO USE WITH TERMINAL OF 2015953-****.
 5. TO USE WITH TPA OF 206462-****.
 6. TO MATE WITH RECEPTACLE OF 206461-****.
 7. PARTS CONFORM TO CLASS 'B' REQUIREMENTS OF COSMETIC SPECIFICATION PS-45499-002.

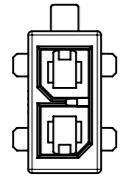
FUNCTIONAL SYMBOLS	THIS DRAWING CONTAINS INFORMATION THAT IS PROPRIETARY TO MOLEX ELECTRONIC TECHNOLOGIES, LLC AND SHOULD NOT BE USED WITHOUT WRITTEN PERMISSION		CURRENT REV DESC:					
	$\nabla_A = 0$ $\nabla_E = 0$ $\nabla_F = 0$	DIMENSION UNITS: mm SCALE: 1:1						
DIVISIONAL SYMBOLS	4 PLACES	±	EC NO: 712744	2022/07/01	PLUG HOUSING OF MICRO-FIT PLUS WTW DR POWER CONNECTOR PRODUCT CUSTOMER DRAWING			
	3 PLACES	±	DRWN: GLLI	2022/07/05				
	2 PLACES	± 0.2	CHK'D: XQZHANG	2022/07/05				
	1 PLACE	± 0.3	APPR: XQZHANG	2022/07/05				
0 PLACES	±	INITIAL REVISION:			DOCUMENT NUMBER	DOC TYPE	DOC PART	REVISION
DRAFT WHERE APPLICABLE MUST REMAIN WITHIN DIMENSIONS			DRWN: GLLI	2021/01/29	2159220000-SD	PSD	000	A1
			APPR: XQZHANG	2021/11/15	GENERAL MARKET		SHEET NUMBER	
			THIRD ANGLE PROJECTION	DRAWING	SERIES	MATERIAL NUMBER		CUSTOMER
				A3-SIZE	215922			1 OF 6

FREE HANGING PLUG PARTS

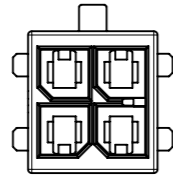


FUNCTIONAL SYMBOLS	THIS DRAWING CONTAINS INFORMATION THAT IS PROPRIETARY TO MOLEX ELECTRONIC TECHNOLOGIES, LLC AND SHOULD NOT BE USED WITHOUT WRITTEN PERMISSION		CURRENT REV DESC:		molex						
	△/A = 0	mm							SCALE 1:1		
DIVISIONAL SYMBOLS	GENERAL TOLERANCES (UNLESS SPECIFIED)			EC NO: 712744 DRWN: GLLI 2022/07/01 CHK'D: XQZHANG 2022/07/05 APPR: XQZHANG 2022/07/05		PLUG HOUSING OF MICRO-FIT PLUS WTW DR POWER CONNECTOR					
	ANGULAR TOL ± °					PRODUCT CUSTOMER DRAWING					
	△/F = 0	4 PLACES	±			INITIAL REVISION:		DOCUMENT NUMBER	DOC TYPE	DOC PART	REVISION
	△/V = 0	3 PLACES	±			DRWN: GLLI 2021/01/29		2159220000-SD	PSD	000	A1
		2 PLACES	± 0.2			APPR: XQZHANG 2021/11/15					
	1 PLACE	± 0.3	DRAFT WHERE APPLICABLE MUST REMAIN WITHIN DIMENSIONS		MATERIAL NUMBER	CUSTOMER	SHEET NUMBER				
	0 PLACES	±	THIRD ANGLE PROJECTION	DRAWING	SERIES	GENERAL MARKET		2 OF 6			

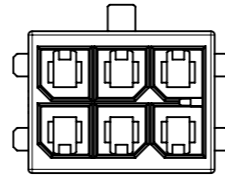
FREE HANGING PLUG PARTS



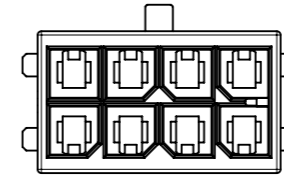
2 CKT



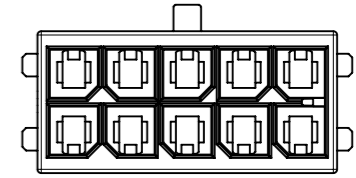
4 CKT



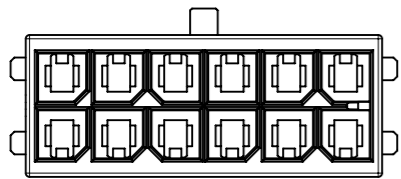
6 CKT



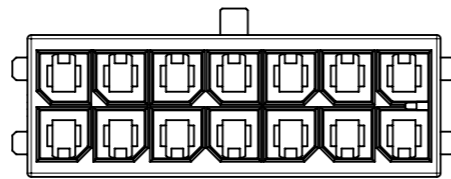
8 CKT



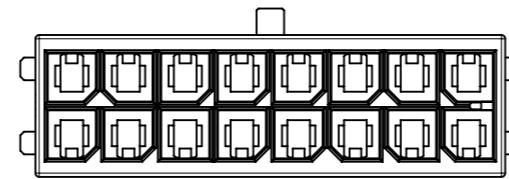
10 CKT



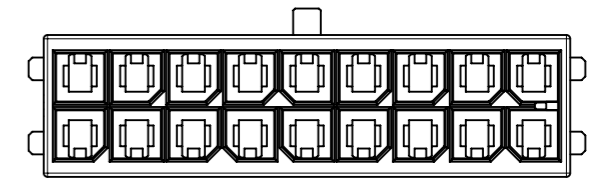
12 CKT



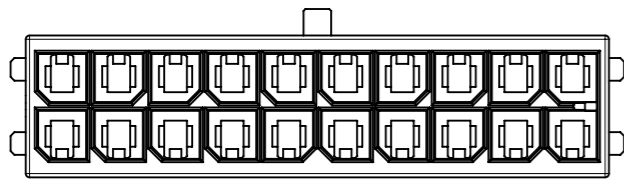
14 CKT



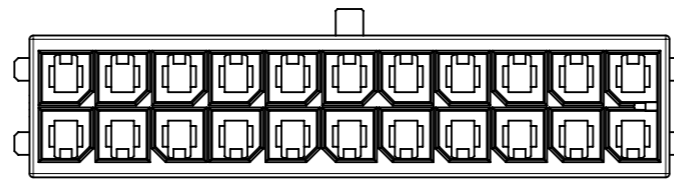
16 CKT



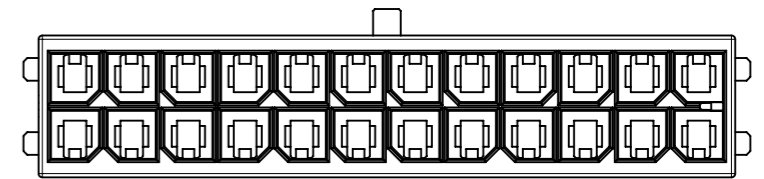
18 CKT



20 CKT



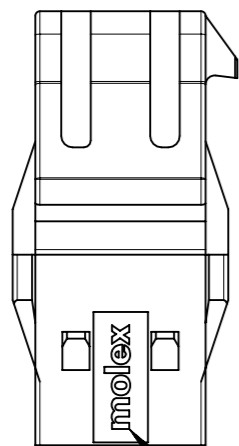
22 CKT



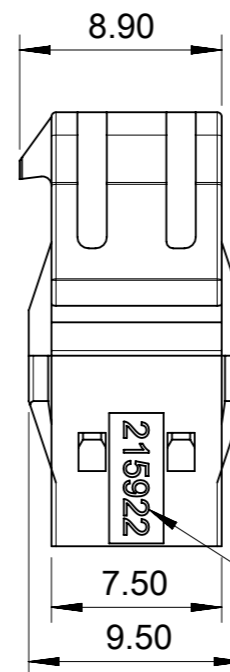
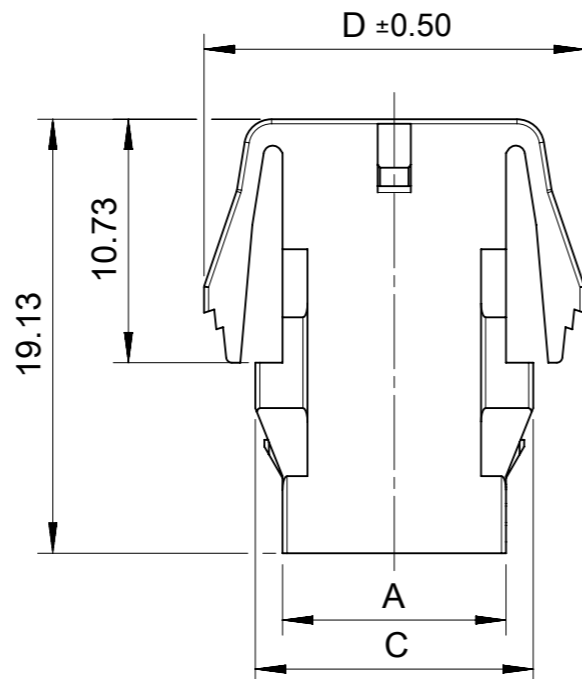
24 CKT

FUNCTIONAL SYMBOLS	THIS DRAWING CONTAINS INFORMATION THAT IS PROPRIETARY TO MOLEX ELECTRONIC TECHNOLOGIES, LLC AND SHOULD NOT BE USED WITHOUT WRITTEN PERMISSION		CURRENT REV DESC:					
	$\nabla_A = 0$ $\nabla_E = 0$ $\nabla_V = 0$	DIMENSION UNITS mm						
DIVISIONAL SYMBOLS	4 PLACES	±	EC NO: 712744		PRODUCT CUSTOMER DRAWING			
	3 PLACES	±	DRWN: GLLI 2022/07/01					
	2 PLACES	± 0.2	CHK'D: XQZHANG 2022/07/05					
	1 PLACE	± 0.3	APPR: XQZHANG 2022/07/05					
	0 PLACES	±	INITIAL REVISION:		DOCUMENT NUMBER	DOC TYPE	DOC PART	REVISION
DRAFT WHERE APPLICABLE MUST REMAIN WITHIN DIMENSIONS		THIRD ANGLE PROJECTION		DRAWING	SERIES	MATERIAL NUMBER	CUSTOMER	SHEET NUMBER
				A3-SIZE	215922	2159220000-SD	GENERAL MARKET	3 OF 6

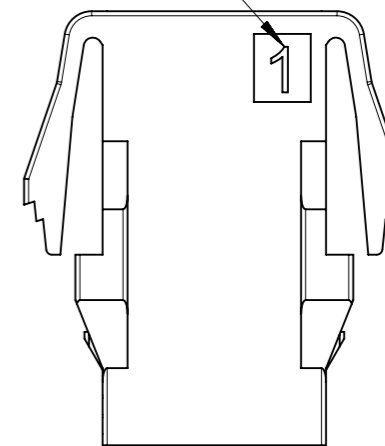
PANEL MOUNT PLUG PARTS



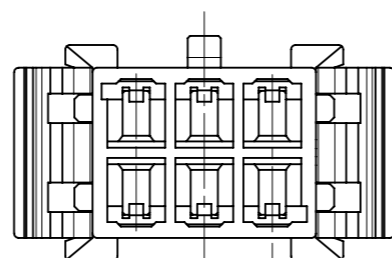
MOLEX LOGO



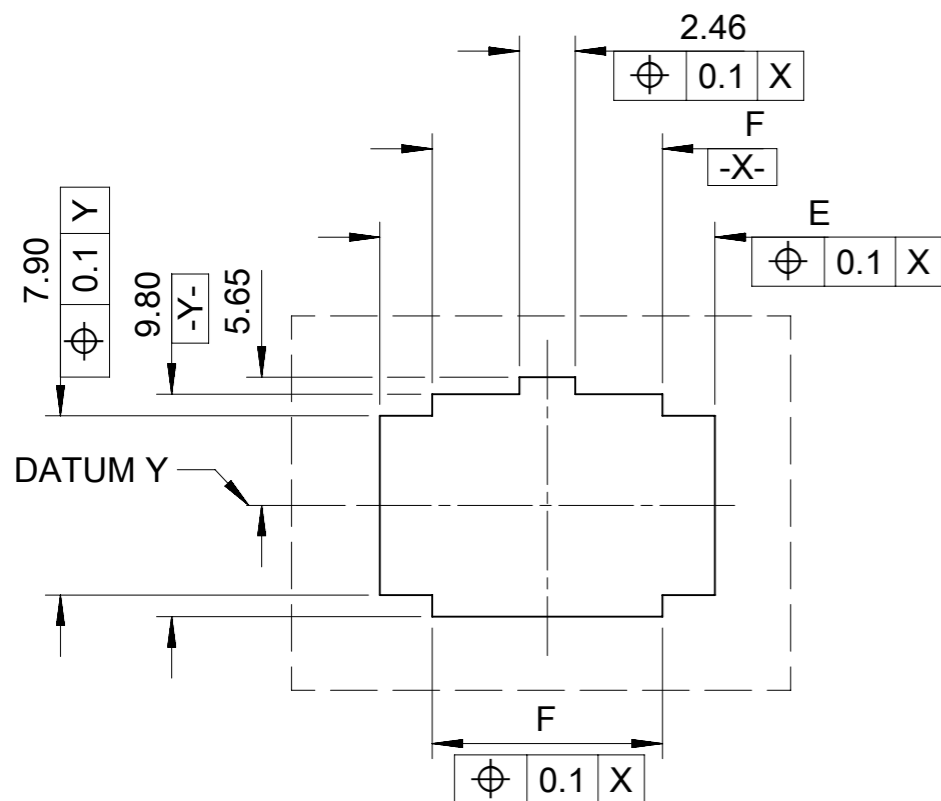
FIRST CIRCUIT INDICATOR



MOLEX SERIES NUMBER



3.00 (PITCH)

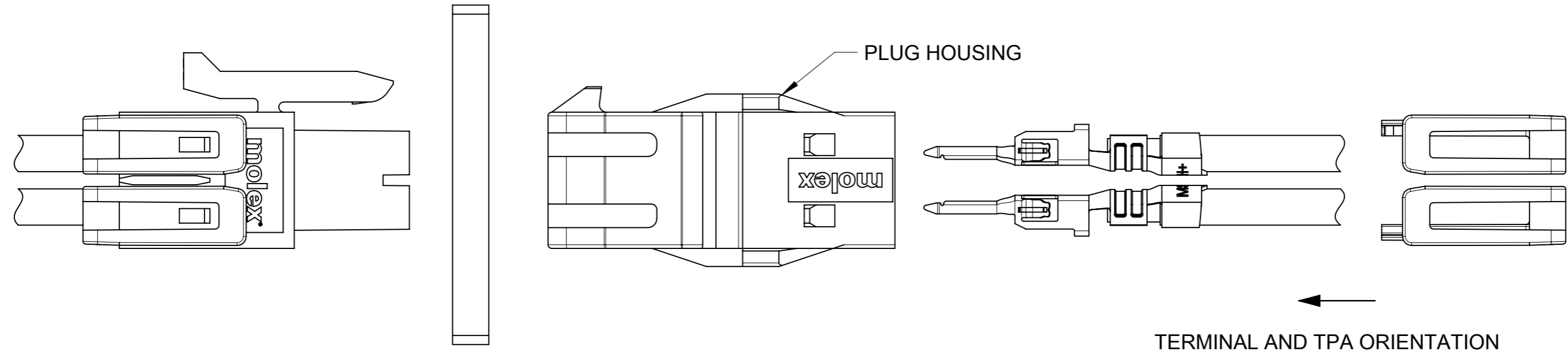
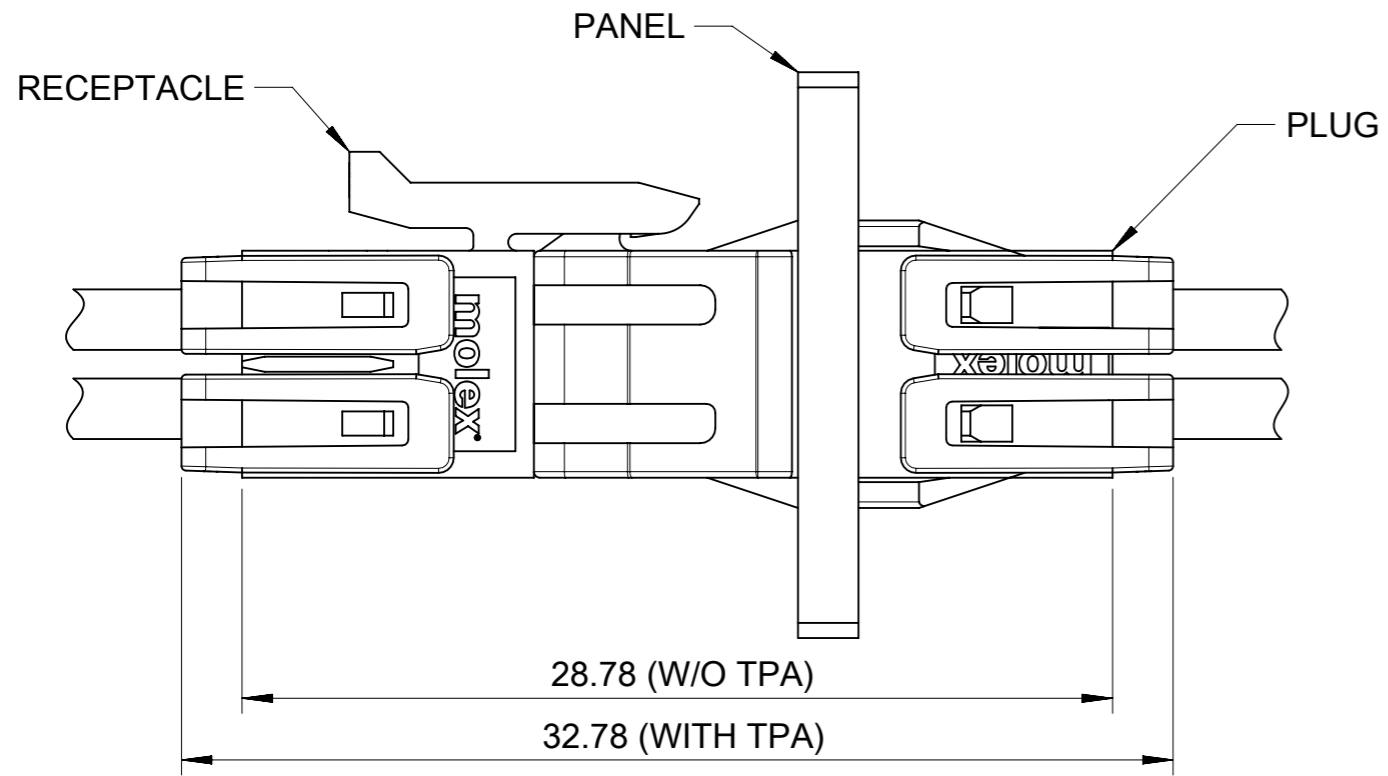


PART No	DIM 'A'	DIM 'C'	DIM 'D'	DIM 'E'	DIM 'F'	CKT SIZE
215922-0200	3.85	6.25	10.77	8.77	4.15	2
215922-0400	6.85	9.25	13.77	11.77	7.15	4
215922-0600	9.85	12.25	16.77	14.77	10.15	6
215922-0800	12.85	15.25	19.77	17.77	13.15	8
215922-1000	15.85	18.25	22.77	20.77	16.15	10
215922-1200	18.85	21.25	25.77	23.77	19.15	12
215922-1400	21.85	24.25	28.77	26.77	22.15	14
215922-1600	24.85	27.25	31.77	29.77	25.15	16
215922-1800	27.85	30.25	34.77	32.77	28.15	18
215922-2000	30.85	33.25	37.77	35.77	31.15	20
215922-2200	33.85	36.25	40.77	38.77	34.15	22
215922-2400	36.85	39.25	43.77	41.77	37.15	24

RECOMMENDED PANEL CUT OUT
(TOLERRANCE +/-0.05 THICKNESS=1.2~2.2MM)

FUNCTIONAL SYMBOLS	THIS DRAWING CONTAINS INFORMATION THAT IS PROPRIETARY TO MOLEX ELECTRONIC TECHNOLOGIES, LLC AND SHOULD NOT BE USED WITHOUT WRITTEN PERMISSION	CURRENT REV DESC:		molex			
	GENERAL TOLERANCES (UNLESS SPECIFIED)	EC NO: 712744			PLUG HOUSING OF MICRO-FIT PLUS WTW DR POWER CONNECTOR		
GENERAL TOLERANCES (UNLESS SPECIFIED)	ANGULAR TOL ± °	4 PLACES ±	DRWN: GLLI 2022/07/01	PRODUCT CUSTOMER DRAWING			
DIVISIONAL SYMBOLS	3 PLACES ±	2 PLACES ± 0.2	CHK'D: XQZHANG 2022/07/05		DOCUMENT NUMBER		
	2 PLACES ± 0.2	1 PLACE ± 0.3	APPR: XQZHANG 2022/07/05	DOC TYPE			
	1 PLACE ± 0.3	0 PLACES ±	INITIAL REVISION:		DOC PART		
	0 PLACES ±		DRWN: GLLI 2021/01/29	REVISION			
			APPR: XQZHANG 2021/11/15		2159220000-SD		
	DRAFT WHERE APPLICABLE MUST REMAIN WITHIN DIMENSIONS	THIRD ANGLE PROJECTION	DRAWING	SERIES	MATERIAL NUMBER	CUSTOMER	SHEET NUMBER
			A3-SIZE	215922		GENERAL MARKET	4 OF 6

PANEL MOUNT PLUG PARTS



FUNCTIONAL SYMBOLS	THIS DRAWING CONTAINS INFORMATION THAT IS PROPRIETARY TO MOLEX ELECTRONIC TECHNOLOGIES, LLC AND SHOULD NOT BE USED WITHOUT WRITTEN PERMISSION		<div style="text-align: center; font-size: 24pt; font-weight: bold;">molex</div> <p>PLUG HOUSING OF MICRO-FIT PLUS WTW DR POWER CONNECTOR</p>				
	$\nabla_A = 0$ $\nabla_F = 0$ $\nabla_P = 0$	DIMENSION UNITS: mm SCALE: 1:1					CURRENT REV DESC:
DIVISIONAL SYMBOLS	GENERAL TOLERANCES (UNLESS SPECIFIED)		EC NO: 712744		2022/07/01		
	ANGULAR TOL ± °		DRWN: GLLI		2022/07/05		
	4 PLACES ±		CHK'D: XQZHANG		2022/07/05		
	3 PLACES ±		APPR: XQZHANG		2022/07/05		
	2 PLACES ± 0.2		INITIAL REVISION:				
1 PLACE ± 0.3		DRWN: GLLI		2021/01/29			
0 PLACES ±		APPR: XQZHANG		2021/11/15			
DRAFT WHERE APPLICABLE MUST REMAIN WITHIN DIMENSIONS		THIRD ANGLE PROJECTION	DRAWING	SERIES	MATERIAL NUMBER	CUSTOMER	SHEET NUMBER
			A3-SIZE	215922	2159220000-SD	GENERAL MARKET	5 OF 6

