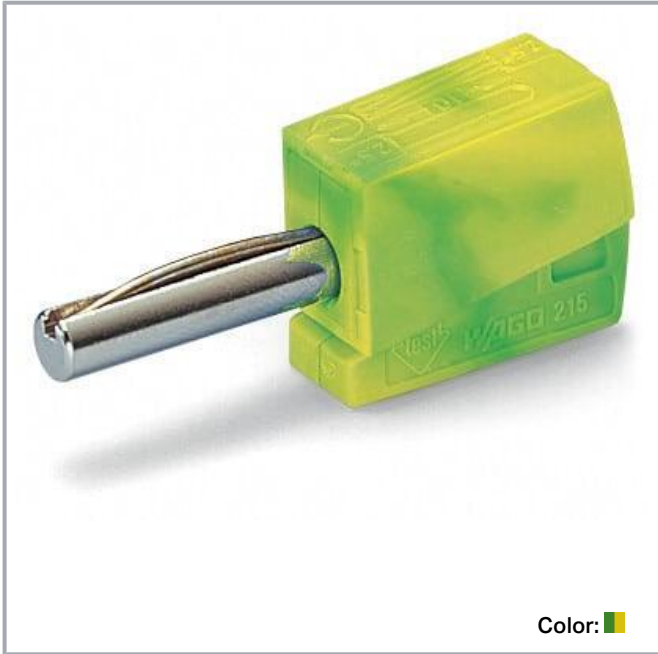


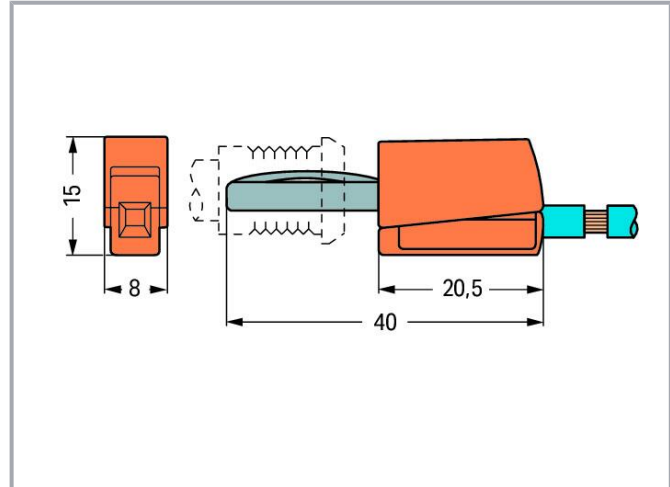
## Data sheet | Item number: 215-911

Banana plug; for socket 4 mm Ø; 2,50 mm<sup>2</sup>; green-yellow

[www.wago.com/215-911](http://www.wago.com/215-911)



Color:



### Data

#### Technical data

Main product function	Testing accessories
Total number of potentials	1

#### Electrical data

Rated current	20 A
Test voltage	42 V

#### Connection data

Connection technology	CAGE CLAMP®
Strip length	9 ... 11 mm / 0.35 ... 0.43 inches
Connection points	1
Solid conductor	0.08 ... 2.5 mm <sup>2</sup> / 28 ... 14 AWG
Fine-stranded conductor	0.08 ... 2.5 mm <sup>2</sup> / 28 ... 14 AWG

Subject to changes. Please also observe the further product documentation!

WAGO GmbH & Co. KG  
Hansastr. 27  
32423 Minden  
Phone: +49571 887-0 | Fax: +49571 887-169  
Email: [info.de@wago.com](mailto:info.de@wago.com) | Web: [www.wago.com](http://www.wago.com)

Do you have any questions about our products?  
We are always happy to take your call at +49 (571) 887-44222.



## Physical data

Width	8 mm / 0.315 inches
Height	15 mm / 0.591 inches
Depth	40 mm / 1.575 inches

## Material Data

Color	green-yellow
Fire load	0.04 MJ
Weight	3.9 g

## Commercial data

Product Group	2 (Terminal Block Accessories)
eCl@ss 10.0	27-44-03-13
eCl@ss 9.0	27-44-03-13
ETIM 8.0	EC002255
ETIM 7.0	EC002255
PU (SPU)	50 pcs
Packaging type	box
Country of origin	DE
GTIN	4045454293567
Customs tariff number	85366990990

## Environmental Product Compliance

CAS-No.	7439-92-1
REACH Candidate List Substance	Lead
RoHS Compliance Status	Compliant,With Exemption
RoHS Exemption	6(c)
SCIP notification number (Austria)	db27df52-fa46-4b59-b287-cdf416dfca73
SCIP notification number (Belgium)	10ad81e8-8e49-4dd9-a757-798e207223d9
SCIP notification number (Bulgaria)	832c490a-5915-4755-ac92-3b6f4e152d7f
SCIP notification number (Czech Republic)	21c8d54b-db14-4c42-9a63-e4e334ac9327
SCIP notification number (Denmark)	ee26c490-c22e-4644-a564-a874ab7055dd
SCIP notification number (Finland)	3b2c9aed-5106-485c-ad3f-fe9a038a3308
SCIP notification number (France)	f6472b3c-440d-4d50-8b8b-cb210ae177e0
SCIP notification number (Germany)	534e3015-7658-4225-9766-10ffea125f7f

Subject to changes. Please also observe the further product documentation!

WAGO GmbH & Co. KG  
Hansastr. 27  
32423 Minden  
Phone: +49571 887-0 | Fax: +49571 887-169  
Email: [info.de@wago.com](mailto:info.de@wago.com) | Web: [www.wago.com](http://www.wago.com)

Do you have any questions about our products?  
We are always happy to take your call at +49 (571) 887-44222.



SCIP notification number (Hungary)	9956155b-970f-4b6c-84ca-11aa026715de
SCIP notification number (Italy)	5e70cd67-104c-40c8-ab44-3caa762a71f9
SCIP notification number (Netherlands)	1fd5186b-5cc7-4414-8465-8554fa7f80c8
SCIP notification number (Poland)	76bf5322-800d-41c4-942a-596724f40166
SCIP notification number (Romania)	e7d75181-8a84-4697-a192-d564c272ce78
SCIP notification number (Sweden)	1aec2ed1-e1a7-4977-8fdb-8abc5d968578

## Downloads

### Documentation

#### Bid Text

215-911 X81 - Datei	2019 Feb 19	xml 3.1 kB	Download
215-911 doc - Datei	2017 Sep 19	doc 26.1 kB	Download

## CAD/CAE-Data

### CAE data

EPLAN Data Portal 215-911	URL	Download
WSCAD Universe 215-911	URL	Download

## Environmental Product Compliance

### Compliance Search

Environmental Product Compliance 215-911 Banana plug; for socket 4 mm Ø; 2,50 mm <sup>2</sup> ; green-yellow	URL	Download
-----------------------------------------------------------------------------------------------------------------	-----	----------

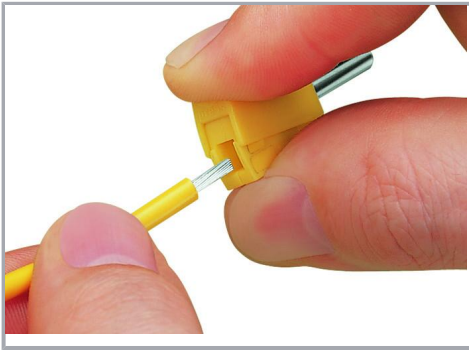
## Installation Notes

### Conductor termination

Subject to changes. Please also observe the further product documentation!

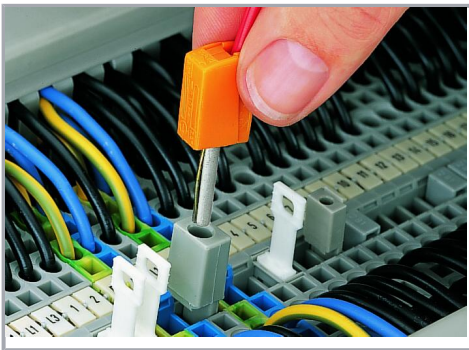
WAGO GmbH & Co. KG  
 Hansastr. 27  
 32423 Minden  
 Phone: +49571 887-0 | Fax: +49571 887-169  
 Email: [info.de@wago.com](mailto:info.de@wago.com) | Web: [www.wago.com](http://www.wago.com)

Do you have any questions about our products?  
 We are always happy to take your call at +49 (571) 887-44222.



Conductor termination: Press button fully, insert stripped conductor into square entry and release.

#### Testing



Testing via banana plug.

Picture shows a test plug adapter (209-170).

Subject to changes. Please also observe the further product documentation!