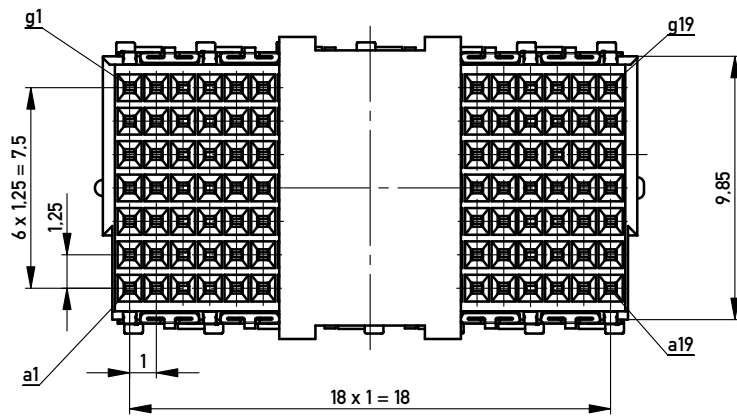
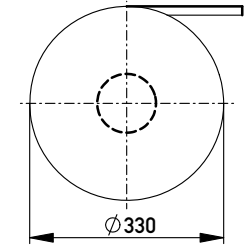
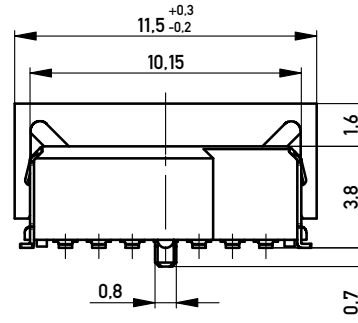
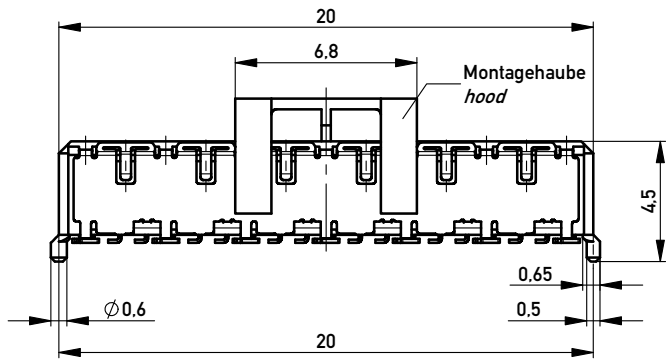
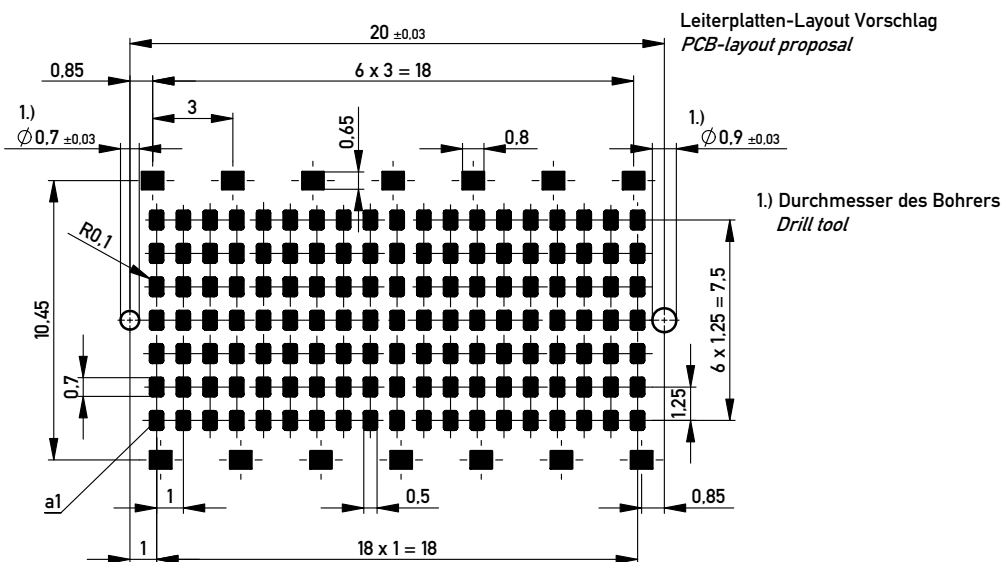
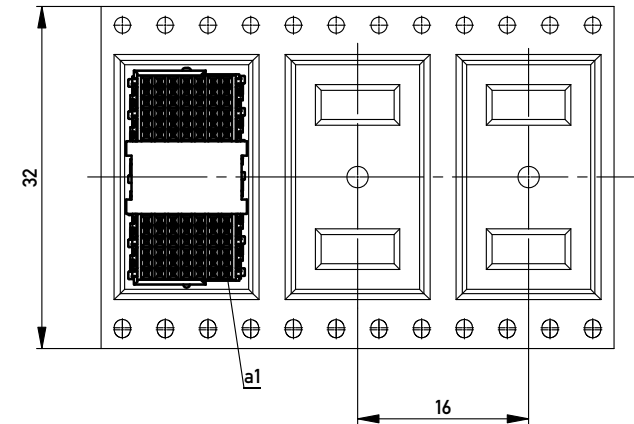


Verpackt in Gurtverpackung  
 Tape on Reel Packaging  
 Verpackungseinheit: 440 Stück  
 Packaging unit: 440 pcs



Abspulrichtung - Reel off Direction



Leiterplatten-Layout Vorschlag  
 PCB-layout proposal

1.) Durchmesser des Bohrers  
 Drill tool

Anforderungsstufe 1  
 Performance Level 1

Kontaktbereich vergoldet  
 Mating Area gold plating

Anschlussbereich verzinkt 4-6 µm  
 Terminal Area 4-6 µm tin plating

Koplanarität der Anschlüsse ≤ 0,1 mm  
 Coplanarity Area of Termination ≤ 0,1 mm

Information:		Tolerances		Scale	5:1
All rights reserved. Only for Information. To ensure that this is the latest version of this drawing, please contact one of the ERNI companies before using.		All Dimensions in mm		Designation	
Subject to modification without prior notice. Drawing will not be updated.				Federleiste SMD, 133-polig Female Con. SMD, 133 contacts	
www.ERNI.com		214352		I A3	
e	18.02.2013	Class		MSPEED	
Index	Date				

Copyright by ERNI GmbH  
 Proprietary notice pursuant to ISO 9006 to be observed.