

MOLEX P/N	LENGTH	TOLERANCE	RAW CABLE IMPEDANCE	AWG	MECHANICAL SPECIFICATION	ELECTRICAL SPECIFICATION
2002271000	300mm	±10mm	85 Ohms	34	SFF-8611	PCI EXPRESS OCuLink SPECIFICATION REV 1.0 EXCEPT RETURE LOSS AND FITTED IL
2002271001	500mm	±10mm	85 Ohms	34	SFF-8611	PCI EXPRESS OCuLink SPECIFICATION REV 1.0
2002271002	1000mm	±15mm	85 Ohms	34	SFF-8611	PCI EXPRESS OCuLink SPECIFICATION REV 1.0
2002271003	400mm	±10mm	85 Ohms	34	SFF-8611	PCI EXPRESS OCuLink SPECIFICATION REV 1.0
2002271156	110mm	±10mm	85 Ohms	34	SFF-8611	PCI EXPRESS OCuLink SPECIFICATION REV 1.0 EXCEPT RETURE LOSS AND FITTED IL

- NOTES:
- MATERIALS:
 - BACKSHELLS - STR - GLASS FILLED LCP, UL94-V0
 - R/A - NYLON, UL94-V0
 - COLOR: BLACK
 - LATCHING - STAINLESS STEEL
 - CABLE - TWIN-AX SHIELD: ALUMINIZED POLYESTER FOIL
 - SIGNAL PAIR: SOLID SILVER PLATED COPPER
 - DRAIN: SOLID COATED COPPER
 - CONFORMS TO VW1
 - PCB - HALOGEN FREE
 - PLUG MATES TO RIGHT-ANGLE AND VERTICAL RECEPTACLE SERIES 173162.
 - RoHS COMPLIANT. NO EXCEPTIONS.

THIS DRAWING CONTAINS INFORMATION THAT IS PROPRIETARY TO MOLEX ELECTRONIC TECHNOLOGIES, LLC AND SHOULD NOT BE USED WITHOUT WRITTEN PERMISSION

QUALITY SYMBOLS	EC NO: 169624 DRWN: KBASAPPAKORA CHKD: RHSU01 REV APPR: RHSU01	2017/11/16 2017/12/18 2017/12/18	GENERAL TOLERANCES (UNLESS SPECIFIED) ANGULAR TOL ± ° 4 PLACES ± 3 PLACES ± 2 PLACES ± 1 PLACE ± 0 PLACES ± DRAFT WHERE APPLICABLE MUST REMAIN WITHIN DIMENSIONS	DIMENSION UNITS: mm SCALE: NTS DRWN BY: RWHIPPLE DATE: 2016/06/09 CHKD BY: PKNAPP DATE: 2016/06/09 APPR BY: JCDEMPSEY DATE: 2016/06/15	
PRODUCT CUSTOMER DRAWING			SERIES: 200227 MATERIAL NUMBER: SEE TABLE CUSTOMER: GENERAL MARKET		
DOCUMENT NUMBER: 2002271000 DOC TYPE: PSD DOC PART: 000 SHEET NUMBER: 1 OF 3					

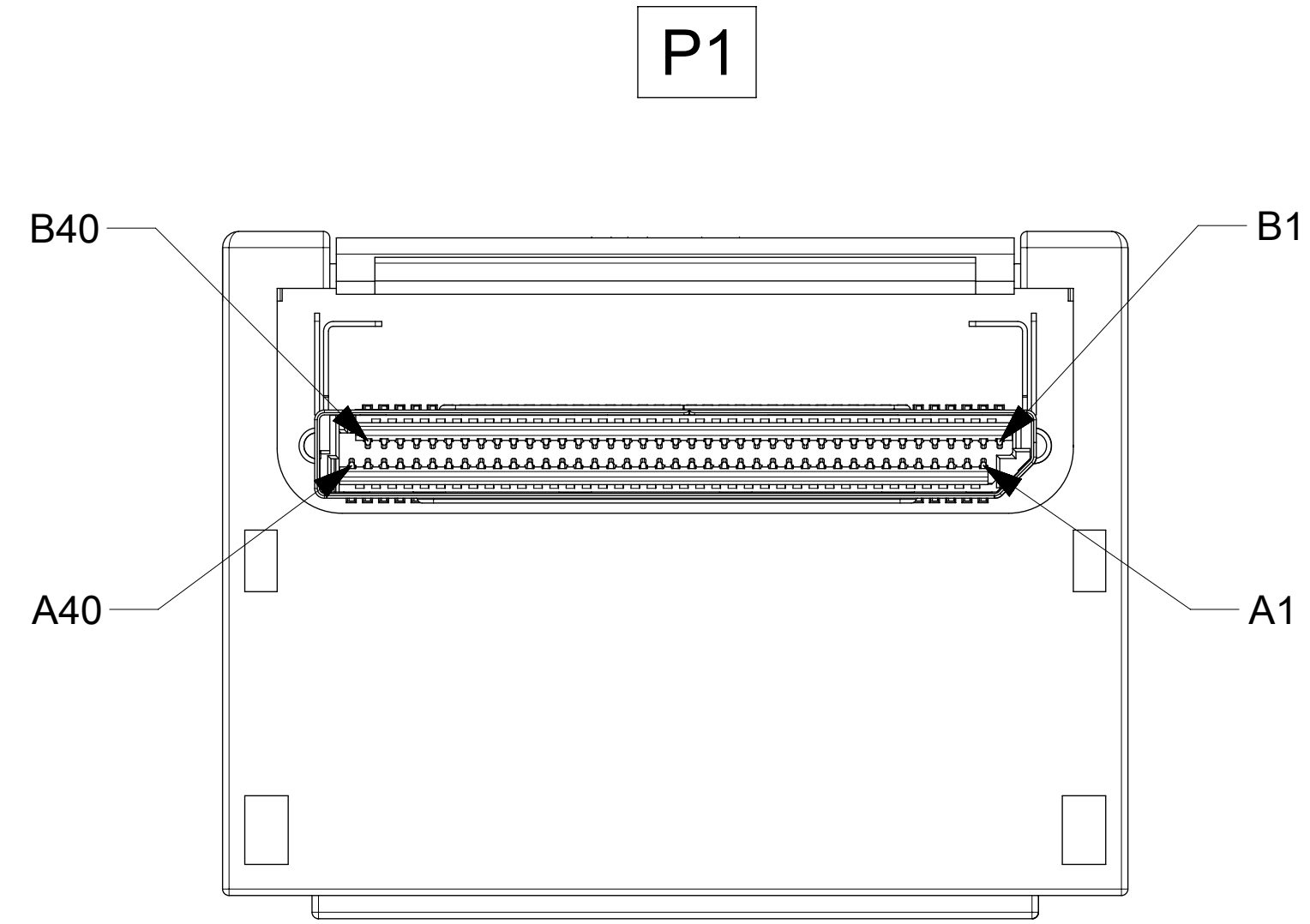
PINOUT TABLE

P1				P2	
PIN #	DESCRIPTION	SIGNAL TYPE	WIRE ID	PIN #	DESCRIPTION
A1	GROUND	----	TWINAX1	B1	GROUND
A2	PERp0	<---	TWINAX1	B2	PETp0
A3	PERn0	<---	TWINAX1	B3	PETn0
A4	GROUND	----	TWINAX2	B4	GROUND
A5	PERp1	<---	TWINAX2	B5	PETp1
A6	PERn1	<---	TWINAX2	B6	PETn1
A7	GROUND	----	TWINAX3	B7	GROUND
A8	BP_TYPEA	<---	TWINAX3	B8	BP_TYPEA
A9	CWAKEA#	<---	TWINAX3	B9	CWAKEA#
A10	RESERVED	NC	NO WIRE	B10	NO CONNECT
A11	VSPA+	<---	TWINAX4	B11	VSPA+
A12	VSPA-	<---	TWINAX4	B12	VSPA-
A13	GROUND	----	TWINAX4	B13	GROUND
A14	PERp2	<---	TWINAX5	B14	PETp2
A15	PERn2	<---	TWINAX5	B15	PETn2
A16	GROUND	----	TWINAX5	B16	GROUND
A17	PERp3	<---	TWINAX6	B17	PETp3
A18	PERn3	<---	TWINAX6	B18	PETn3
A19	GROUND	----	TWINAX6	B19	GROUND
A20	RESERVED	NC	NO WIRE	B20	NO CONNECT
A21	RESERVED	NC	NO WIRE	B21	NO CONNECT
A22	GROUND	----	TWINAX7	B22	GROUND
A23	PERp4	<---	TWINAX7	B23	PETp4
A24	PERn4	<---	TWINAX7	B24	PETn4
A25	GROUND	----	TWINAX8	B25	GROUND
A26	PERp5	<---	TWINAX8	B26	PETp5
A27	PERn5	<---	TWINAX8	B27	PETn5
A28	GROUND	----	TWINAX9	B28	GROUND
A29	BP_TYPEB	<---	TWINAX9	B29	BP_TYPEB
A30	CWAKEB#	<---	TWINAX9	B30	CWAKEB#
A31	RESERVED	NC	NO WIRE	B31	NO CONNECT
A32	VSPB+	<---	TWINAX10	B32	VSPB+
A33	VSPB-	<---	TWINAX10	B33	VSPB-
A34	GROUND	----	TWINAX10	B34	GROUND
A35	PERp6	<---	TWINAX11	B35	PETp6
A36	PERn6	<---	TWINAX11	B36	PETn6
A37	GROUND	----	TWINAX11	B37	GROUND
A38	PERp7	<---	TWINAX12	B38	PETp7
A39	PERn7	<---	TWINAX12	B39	PETn7
A40	GROUND	----	TWINAX12	B40	GROUND

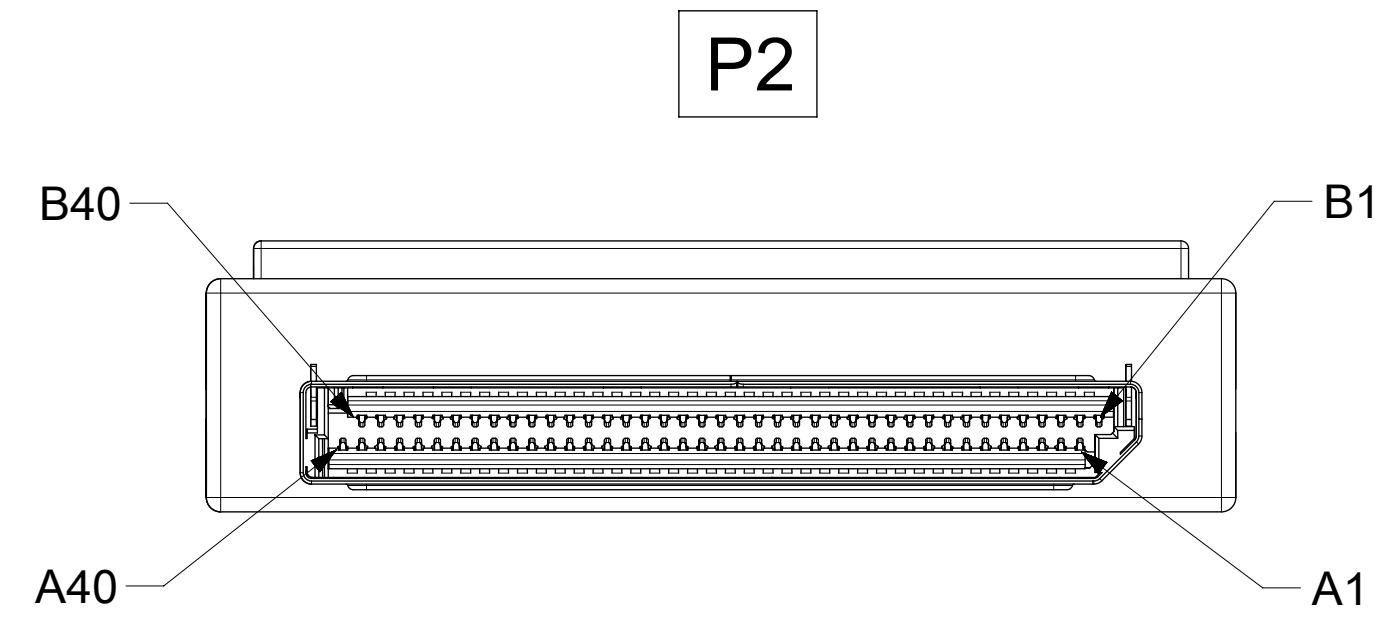
P1				P2	
PIN #	DESCRIPTION	SIGNAL TYPE	WIRE ID	PIN #	DESCRIPTION
B1	GROUND	----	TWINAX13	A1	GROUND
B2	PETp0	---	TWINAX13	A2	PERp0
B3	PETn0	---	TWINAX13	A3	PERn0
B4	GROUND	----	TWINAX14	A4	GROUND
B5	PETp1	---	TWINAX14	A5	PERp1
B6	PETn1	---	TWINAX14	A6	PERn1
B7	GROUND	----	TWINAX15	A7	GROUND
B8	2-WIRE CLOCKS	---	TWINAX15	A8	2-WIRE CLOCKS
B9	2-WIRE DATA	---	TWINAX15	A9	2-WIRE DATA
B10	NO CONNECT	NC	NO WIRE	A10	NO CONNECT
B11	PERSTA#	---	TWINAX16	A11	PERSTA#
B12	CPRSNTA#	---	TWINAX16	A12	CPRSNTA#
B13	GROUND	----	TWINAX16	A13	GROUND
B14	PETp2	---	TWINAX17	A14	PERp2
B15	PETn2	---	TWINAX17	A15	PERn2
B16	GROUND	----	TWINAX17	A16	GROUND
B17	PETp3	---	TWINAX18	A17	PERp3
B18	PETn3	---	TWINAX18	A18	PERn3
B19	GROUND	----	TWINAX18	A19	GROUND
B20	NO CONNECT	NC	NO WIRE	A20	NO CONNECT
B21	NO CONNECT	NC	NO WIRE	A21	NO CONNECT
B22	GROUND	----	TWINAX19	A22	GROUND
B23	PETp4	---	TWINAX19	A23	PERp4
B24	PETn4	---	TWINAX19	A24	PERn4
B25	GROUND	----	TWINAX20	A25	GROUND
B26	PETp5	---	TWINAX20	A26	PERp5
B27	PETn5	---	TWINAX20	A27	PERn5
B28	GROUND	----	TWINAX21	A28	GROUND
B29	2-WIRE CLOCKS	---	TWINAX21	A29	2-WIRE CLOCKS
B30	2-WIRE DATA	---	TWINAX21	A30	2-WIRE DATA
B31	NO CONNECT	NC	NO WIRE	A31	NO CONNECT
B32	PERSTB#	---	TWINAX22	A32	PERSTB#
B33	CPRSNTB#	---	TWINAX22	A33	CPRSNTB#
B34	GROUND	----	TWINAX22	A34	GROUND
B35	PETp6	---	TWINAX23	A35	PERp6
B36	PETn6	---	TWINAX23	A36	PERn6
B37	GROUND	----	TWINAX23	A37	GROUND
B38	PETp7	---	TWINAX24	A38	PERp7
B39	PETn7	---	TWINAX24	A39	PERn7
B40	GROUND	----	TWINAX24	A40	GROUND

LEGEND
 ---- = THRU LINE
 ---> = TRANSMIT TO RECEIVE ON HIGH SPEED LINE
 <--> = SIDEBAND
 NC = NOT CONNECTED

NOTE: CONNECTION DETERMINED BY PIN #. DESCRIPTION FOR REFERENCE ONLY.



VIEW FROM MATING END OF CONNECTOR

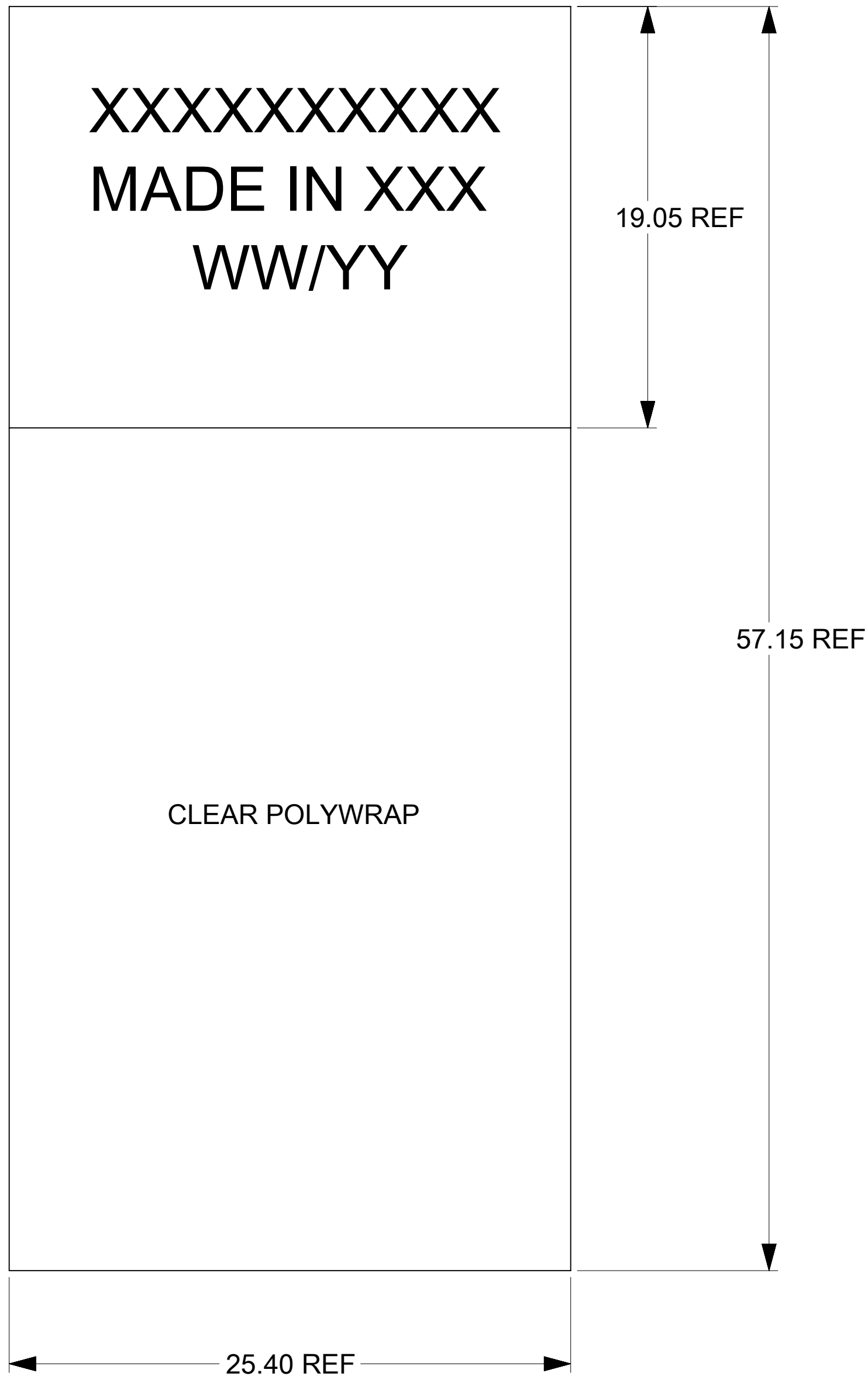


VIEW FROM MATING END OF CONNECTOR

QUALITY SYMBOLS F = 0 E = 0 D = 0 C = 0 B = 0 A = 0 Z = 0	THIS DRAWING CONTAINS INFORMATION THAT IS PROPRIETARY TO MOLEX ELECTRONIC TECHNOLOGIES, LLC AND SHOULD NOT BE USED WITHOUT WRITTEN PERMISSION			
	EC NO: 169624 DRWN: KBASAPPAKORA CHKD: RHSU01 REV: APPR: RHSU01	2017/11/16 2017/12/18 2017/12/18	GENERAL TOLERANCES (UNLESS SPECIFIED) ANGULAR TOL ± ° 4 PLACES ± 3 PLACES ± 2 PLACES ± 1 PLACE ± 0 PLACES ± DRAFT WHERE APPLICABLE MUST REMAIN WITHIN DIMENSIONS	DIMENSION UNITS: mm SCALE: NTS DRWN BY: RWHIPPLE DATE: 2016/06/09 CHKD BY: PKNAPP DATE: 2016/06/09 APPR BY: JCDEMPSEY DATE: 2016/06/15
RELEASE STATUS P1 RELEASE DATE 2017/12/18 02:43:12		PRODUCT CUSTOMER DRAWING SERIES: 200227 MATERIAL NUMBER: SEE TABLE CUSTOMER: GENERAL MARKET		DOCUMENT NUMBER: 2002271000 DOC TYPE: PSD DOC PART: 000 SHEET NUMBER: 2 OF 3

LABEL DETAIL

MOLEX P/N ---->
 MANUFACTURING LOCATION ---->
 MANUFACTURE DATE ---->
 WW: WEEK OF YEAR
 YY: LAST TWO DIGITS OF YEAR



THIS DRAWING CONTAINS INFORMATION THAT IS PROPRIETARY TO MOLEX ELECTRONIC TECHNOLOGIES, LLC AND SHOULD NOT BE USED WITHOUT WRITTEN PERMISSION															
QUALITY SYMBOLS F = 0 E = 0 D = 0 C = 0 B = 0 A = 0 0 = 0	EC NO: 169624	DRWN: KBASAPPAKORA	CHKD: RHSU01	REV: APPR: RHSU01	2017/11/16	2017/12/18	2017/12/18	GENERAL TOLERANCES (UNLESS SPECIFIED)	DIMENSION UNITS	SCALE					
					4 PLACES ±		ANGULAR TOL ± °	mm	NTS	DRWN BY		DATE			
					3 PLACES ±				RWHIPPLE	2016/06/09		CHKD BY	DATE		
					2 PLACES ±				PKNAPP	2016/06/09		APPR BY	DATE		
					1 PLACE ±				JCDEMPSEY	2016/06/15		THIRD ANGLE PROJECTION			
					0 PLACES ±				DRAFT WHERE APPLICABLE MUST REMAIN WITHIN DIMENSIONS			D			
RELEASE STATUS	P1	RELEASE DATE	2017/12/18	02:43:12								SERIES	MATERIAL NUMBER	CUSTOMER	
												200227	SEE TABLE	GENERAL MARKET	
												DOCUMENT NUMBER	DOC TYPE	DOC PART	SHEET NUMBER
												2002271000	PSD	000	3 OF 3