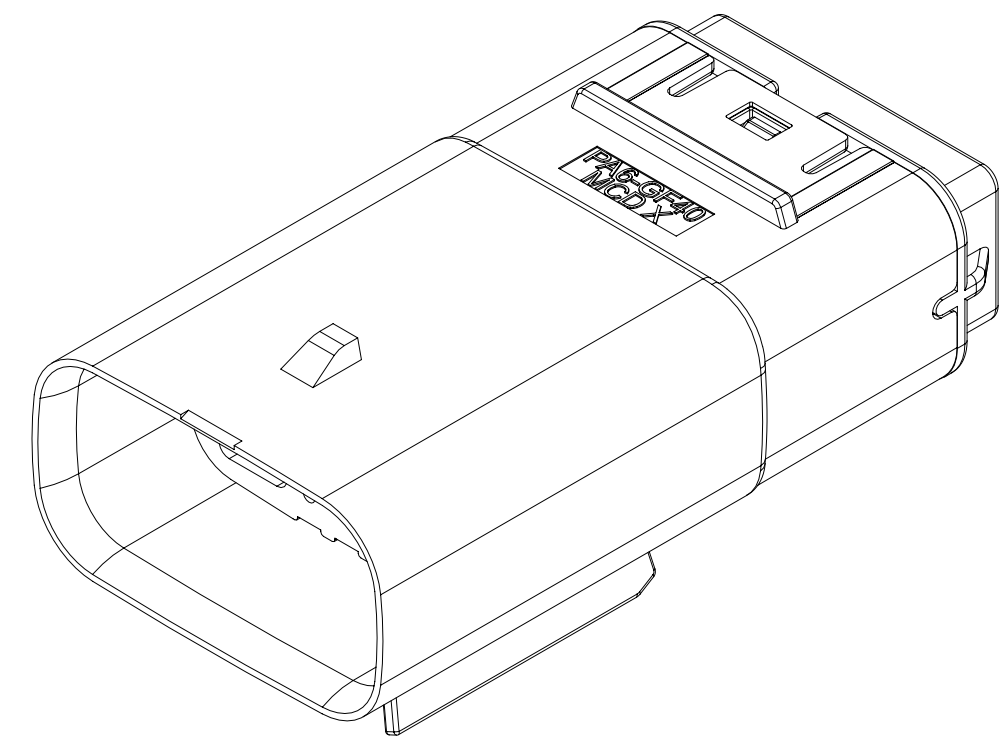


TABLE OF CONTENTS	
SHEET NO.	SHEET DESCRIPTION
1	NOTES
2	CONFIGURATIONS
3	KEY CONFIGURATIONS
4	BLADE CONNECTOR ASSEMBLY
5	SYSTEM PACKAGING
6	12W HYBRID CONNECTOR BOM

DESCRIPTION	PACKAGING DRAWING NO.	MATING INTERFACE/CONNECTOR DRAWINGS	
		INTERFACE DEFINITION	MOLEX INLINE
12W HYBRID	RPK-1601129000	SD-1601110000	SD-1601110000



12W HYBRID

NOTES: VALID UNLESS OTHERWISE SPECIFIED

1. GENERAL:

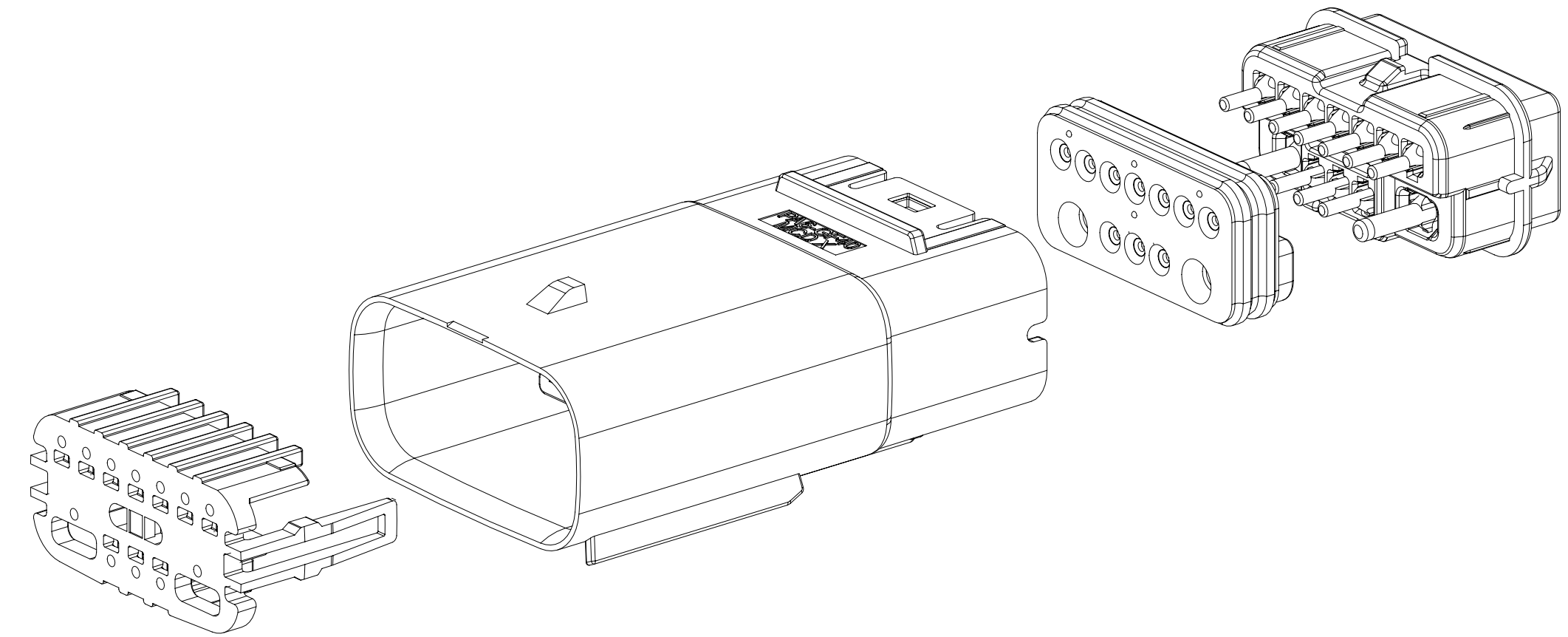
- 1.1 APPLICATION SPECIFICATION SEE: 1601110001-AS
 - CONTAINS: PRODUCT INTRODUCTION, PRODUCT SUMMARY, CONNECTOR ASSEMBLY, PACKAGING INFORMATION, CONNECTOR MATING, SERVICE INSTRUCTIONS, ELECTRICAL CONTINUITY CHECKING, CRIMPING, AND TROUBLE SHOOTING.
 - DESIGNED TO MATE WITH DEVICE OR CONNECTOR AS SPECIFIED IN THE MATING INTERFACE/CONNECTOR DRAWINGS CHART.
 - *DENOTES DRAWINGS THAT CAN BE ACCESSED AT [<http://ewcap.uscarteams.org/>]
 - ASSEMBLY SHIPPED WITH THE FOLLOWING PARTS IN PRE-LOCK POSITION (PLR, CPA, ISL, LEVEL. SEE PRE-LOCK VIEW ON SHEET X).
- 1.2 PRODUCT SPECIFICATION SEE: 1601110001-PS
 - CONTAINS: SCOPE, PRODUCT DESCRIPTION, INTEGRAL COMPONENTS AND ACCESSORIES, APPLICABLE DOCUMENTS AND SPECIFICATIONS, RATINGS, PERFORMANCE, PACKAGING, GAUGES AND FIXTURES, AND OTHER INFORMATION.
- 1.3 PACKAGING SPECIFICATION PER MOLEX DRAWING: SEE TABLE
- 1.4 PARTS MUST BE IN COMPLIANCE TO MOLEX CHEMICAL SUBSTANCES FOR PRODUCTS AND PACKAGING SPECIFICATION: QEHS-699000-300
- 1.5 DATA MUST BE SUBMITTED UNDER THE MOLEX PART NUMBER TO IMDS (COMPANY ID#13255)

2. DESIGN - MATERIALS:

- 2.1 SEE BOM TABLE

3. DESIGN - GEOMETRY:

- 3.1 THE 3-D CAD DATA IS BASIC (WITHOUT TOLERANCE) AND MUST BE TAKEN FROM THE DATA FILE AT ITS LATEST REVISION.
 - 3.2 THE 3-D CAD DATA IS MASTER FOR THIS PART AND IS TO BE USED TO ESTABLISH DIMENSIONAL INFORMATION NOT SHOWN ON THIS DRAWING. ANY DIMENSIONS UNDERLINED INDICATE A CONFLICT WITH THE MODEL.
 - 3.3 PRODUCT DESIGN MODEL NUMBER(S): SEE BOM TABLE
 - 3.4 GEOMETRIC DIMENSIONS AND TOLERANCES PER ASME Y14.5M-2009
 - 3.5 EDGES OF UNDEFINED SHAPE PER ISO 13715
 - 3.6 CORNERS SHOWN AS SHARP TO BE R 0.2 MAX
 - 3.7 LETTERING SHALL BE 0.15 MAX RAISED IN 0.25 MAX RECESS PAD.
THIS INCLUDES RECYCLING CODE, CAVITY ID, VENDOR IDENTIFICATION, AND CUSTOMER MATERIAL NUMBER.
 - 3.8 VISUAL DEFECTS SHALL MEET COSMETIC STANDARD PS-45499-002 (CLASS B).
- 3.7 LASER MARKING
1. PART NUMBER
 2. DAY OF THE YEAR
 3. SHIFT
 4. YEAR
- FOR ADDITIONAL INFORMATION SEE SECTION 5 UNDER PROCEDURES IN ES-34735-008.



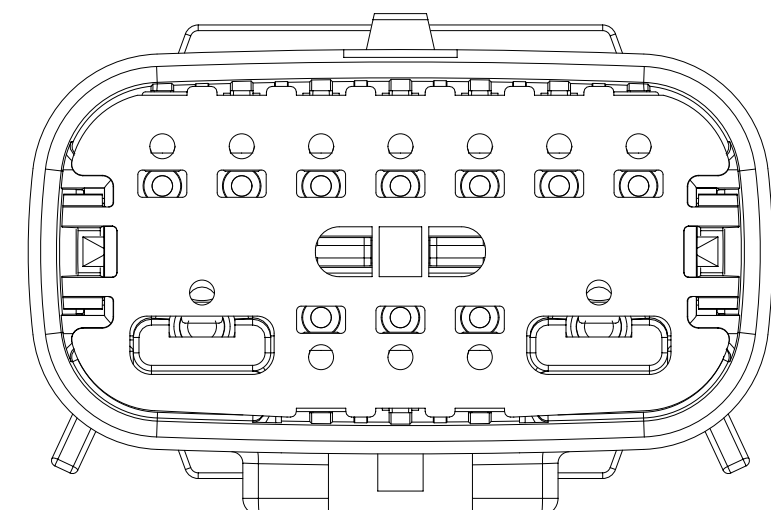
D5	ADD NEW PN 160112-6045
D4	ADD NEW PN 160112-6044
D3	ADD NEW PN 160112-6043
D2	ADD NEW PN 160112-6042
D1	ADD NEW PN 160112-6041
D	ADD NEW PN 160112-6039 AND 160112-6040
C2	UPDATED NOTES
C1	CHANGE DOCUMENT TYPE FROM RSD TO SD
C	ADD NEW PN 160112-6030 THRU 6038
B	UPDATED INFORMATION TO PRODUCTION LEVEL
A2	ADDED NEW PN. 160112-6023 160112-6024 160112-6025 160112-6026 160112-6027 160112-6028 160112-6029
A1	ADDED NEW PN. 160112-6022

INSPECTION NUMBER LOG	
LAST NUMBER: 5	REV
A	INITIAL RELEASE
	REV DESCRIPTION

FUNCTIONAL SYMBOLS FA = 0 FC = 0 FP = 0	THIS DRAWING CONTAINS INFORMATION THAT IS PROPRIETARY TO MOLEX ELECTRONIC TECHNOLOGIES, LLC AND SHOULD NOT BE USED WITHOUT WRITTEN PERMISSION	DIMENSION UNITS mm	SCALE 2:1	CURRENT REV DESC: SEE REVISION TABLE	
	DIVISIONAL SYMBOLS	GENERAL TOLERANCES (UNLESS SPECIFIED)	ANGULAR TOL ± °	EC NO: 677478	
	4 PLACES ±	3 PLACES ±	2 PLACES ±	1 PLACE ±	0 PLACES ±
	INITIAL REVISION: DRWN: ADING03 2017/03/28 APPR: JDENG02 2017/04/07		DRWN: SCV 2021/09/13 CHK'D: GGA 2021/09/22 APPR: GGA 2021/09/22		
DRAFT WHERE APPLICABLE MUST REMAIN WITHIN DIMENSIONS		THIRD ANGLE PROJECTION	DRAWING D-SIZE	SERIES 160112	DOCUMENT NUMBER 1601120000
				MATERIAL NUMBER CHARTED	DOC TYPE PSD
				CUSTOMER	DOC PART 000
					REVISION D5
					SHEET NUMBER 1 OF 6

SHEET DESCRIPTION

CONFIGURATIONS



12W HYBRID

FUNCTIONAL SYMBOLS	THIS DRAWING CONTAINS INFORMATION THAT IS PROPRIETARY TO MOLEX ELECTRONIC TECHNOLOGIES, LLC AND SHOULD NOT BE USED WITHOUT WRITTEN PERMISSION		
	DIMENSION UNITS	SCALE	CURRENT REV DESC: SEE REVISION TABLE
$\nabla_A = 0$	mm	2:1	<p>EC NO: 677478</p> <p>DRWN: SCV 2021/09/13</p> <p>CHK'D: GGA 2021/09/22</p> <p>APPR: GGA 2021/09/22</p> <p>INITIAL REVISION:</p> <p>DRWN: ADING03 2017/03/28</p> <p>APPR: JDENG02 2017/04/07</p>
$\nabla_C = 0$	GENERAL TOLERANCES (UNLESS SPECIFIED)		
$\nabla_D = 0$	ANGULAR TOL ± °		
DIVISIONAL SYMBOLS	4 PLACES ±		
	3 PLACES ±		PRODUCT CUSTOMER DRAWING
	2 PLACES ±		DOCUMENT NUMBER
	1 PLACE ±		1601120000
	0 PLACES ±		PSD 000 D5
	DRAFT WHERE APPLICABLE MUST REMAIN WITHIN DIMENSIONS	THIRD ANGLE PROJECTION	MATERIAL NUMBER
			160112
		DRAWING	CUSTOMER
		D-SIZE	CHARTED
		SERIES	SHEET NUMBER
			2 OF 6

molex

MX150 HYBRID MAT SEAL BLD CONN ASM SALES

PRODUCT CUSTOMER DRAWING

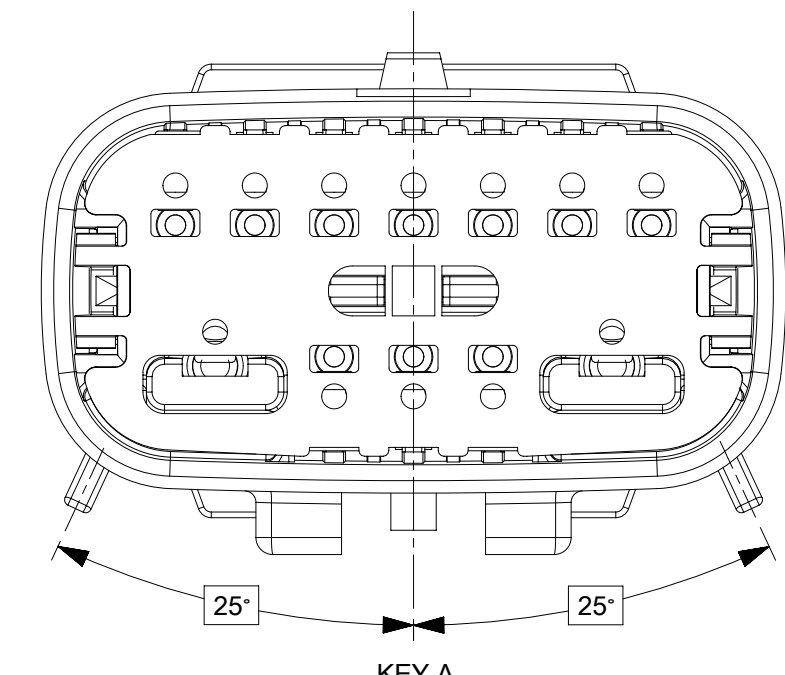
DOCUMENT NUMBER: 1601120000
 DOC TYPE: PSD
 DOC PART: 000
 REVISION: D5

MATERIAL NUMBER: 160112
 CUSTOMER: CHARTED
 SHEET NUMBER: 2 OF 6

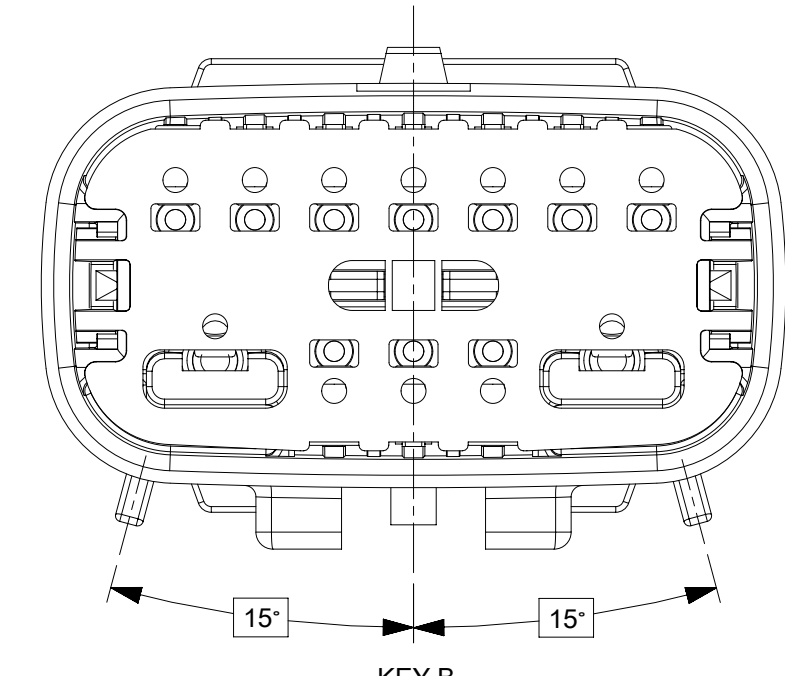
SEE NOTES

SHEET DESCRIPTION
KEY CONFIGURATIONS

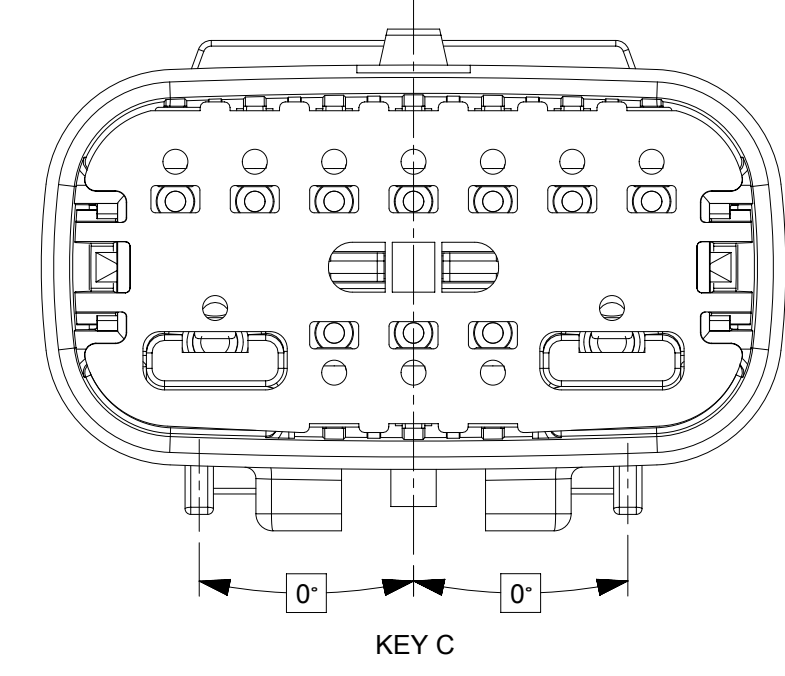
12W HYBRID



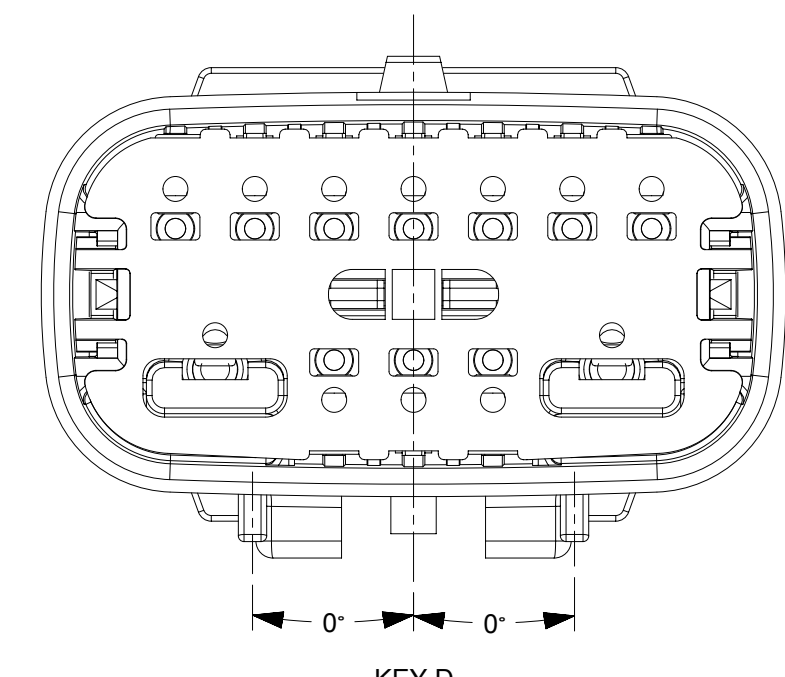
KEY A



KEY B



KEY C

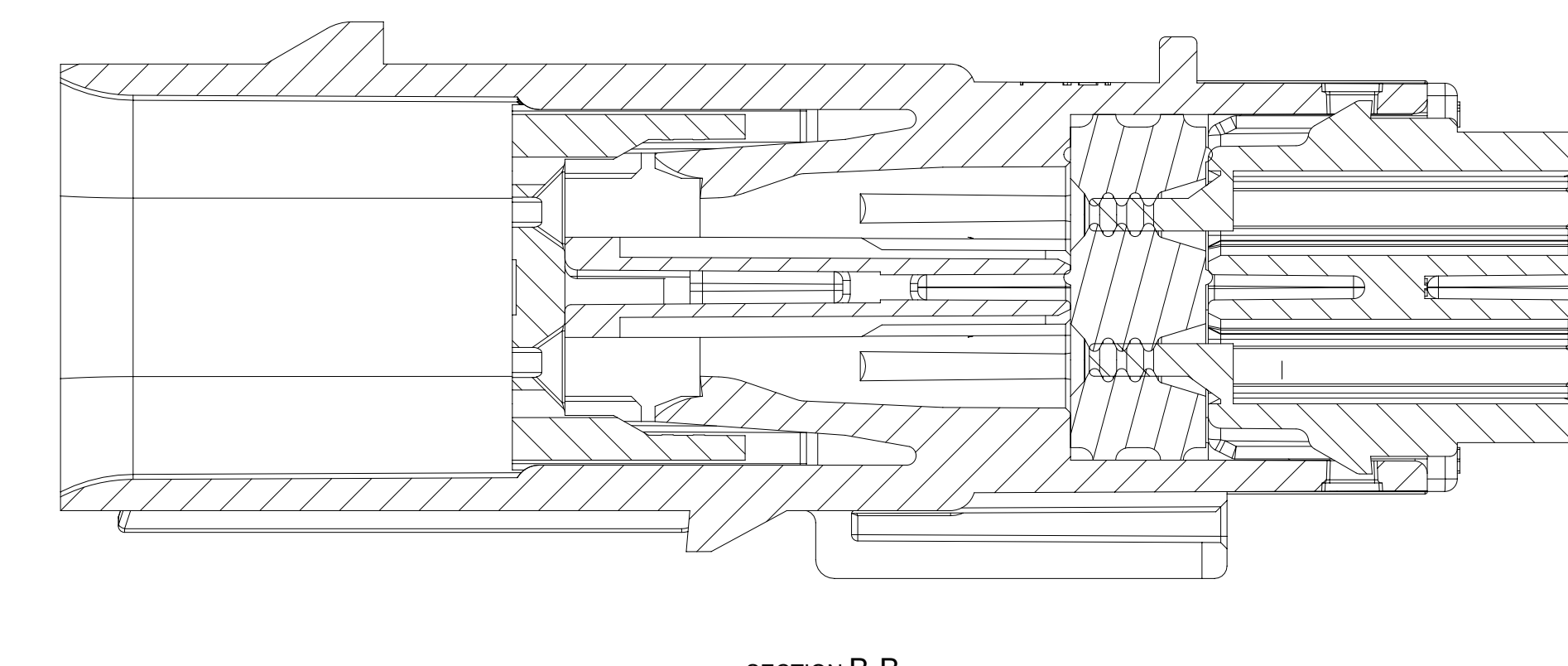
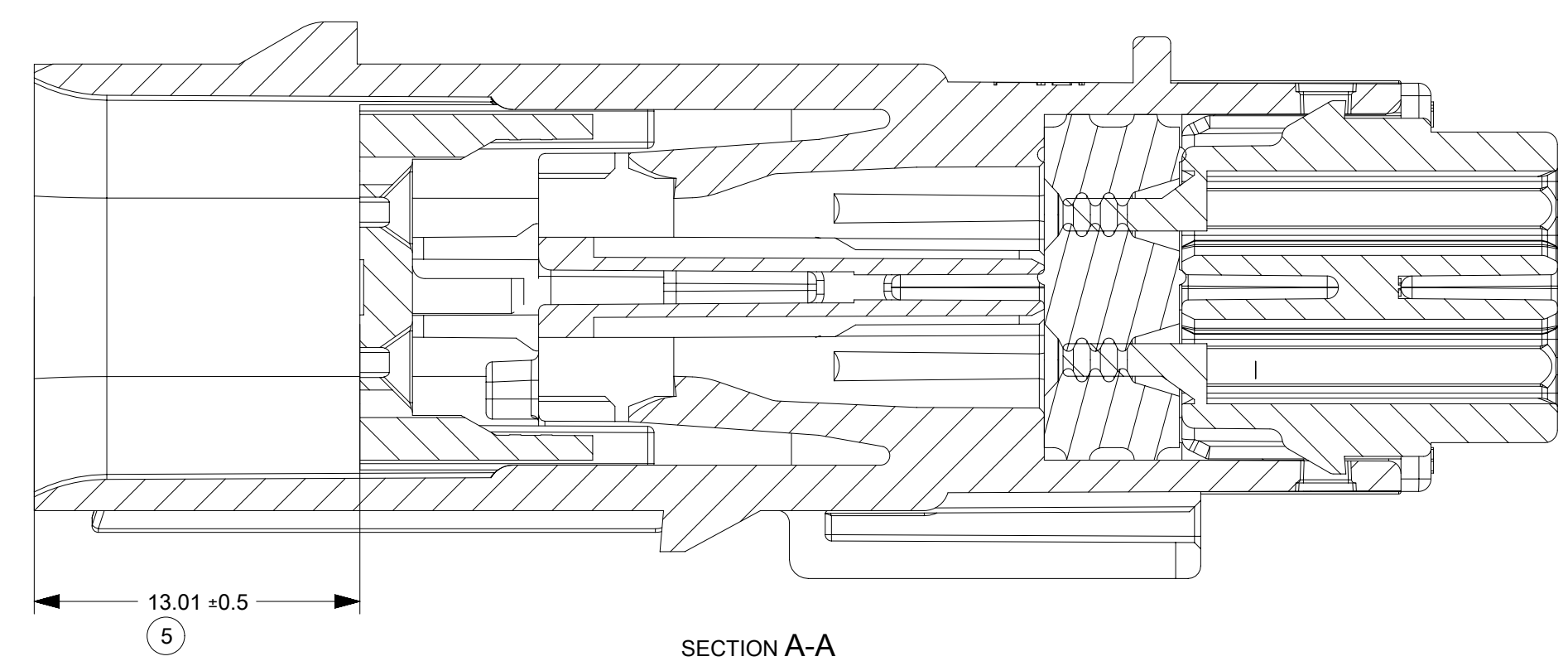
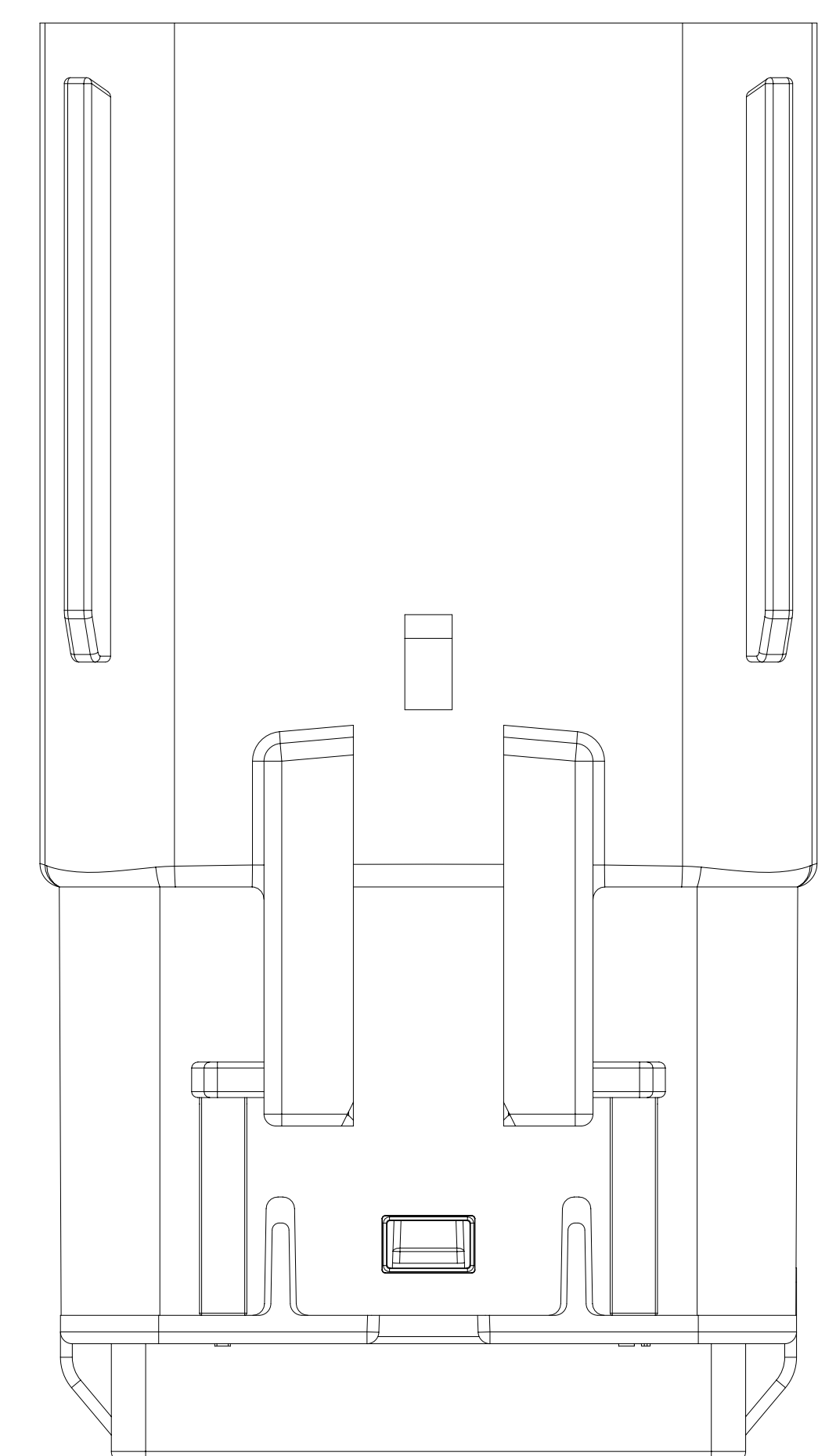
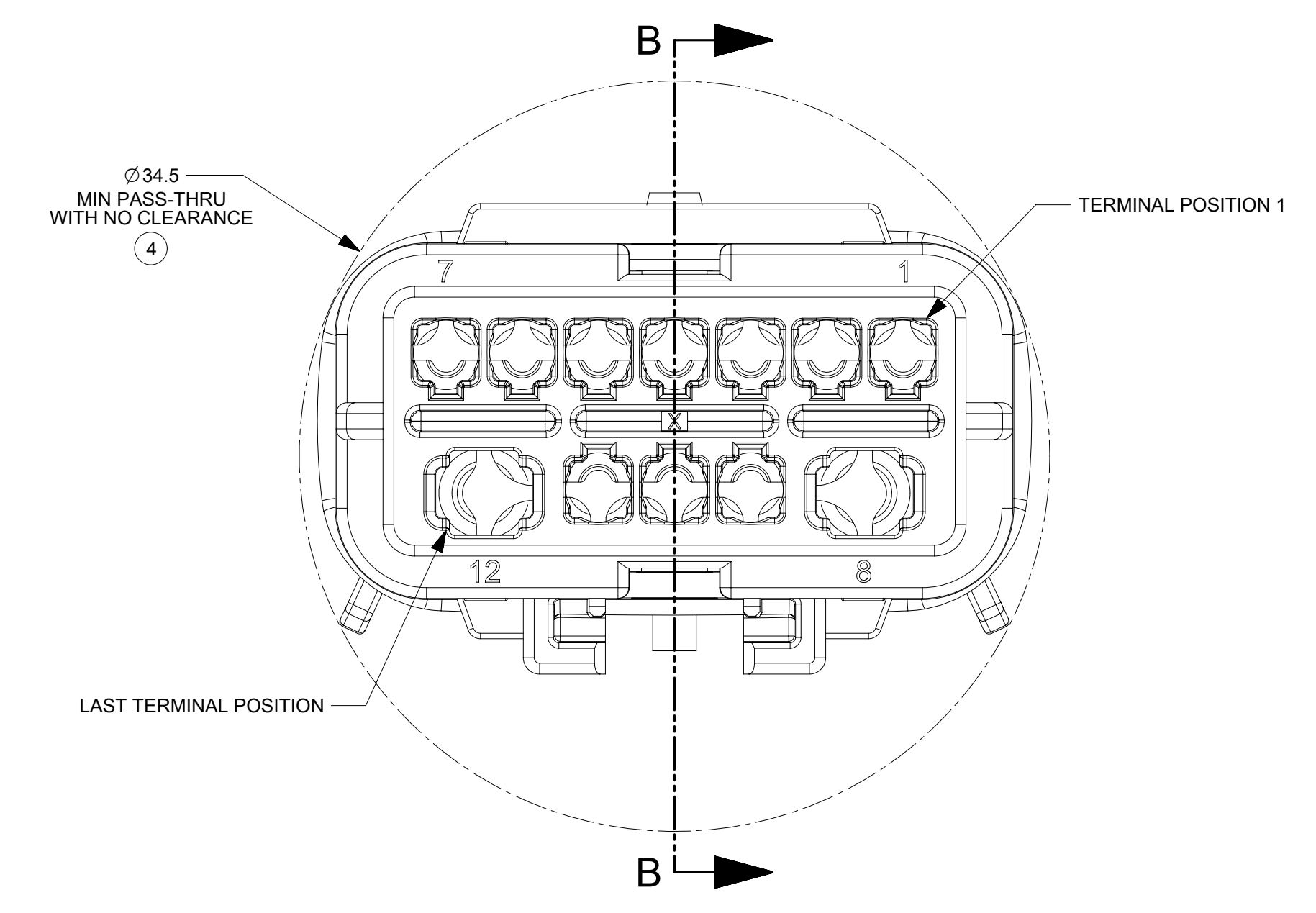
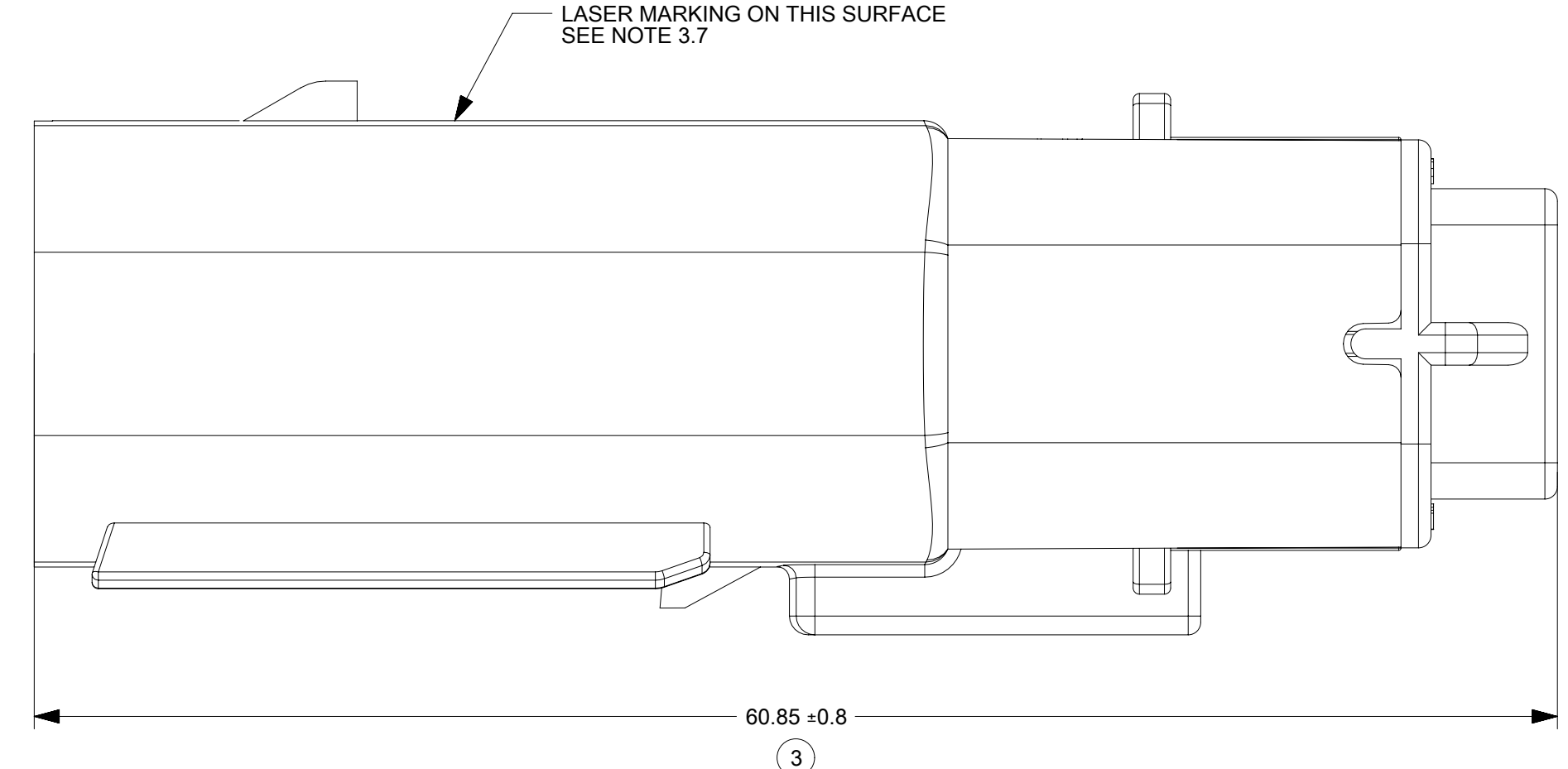
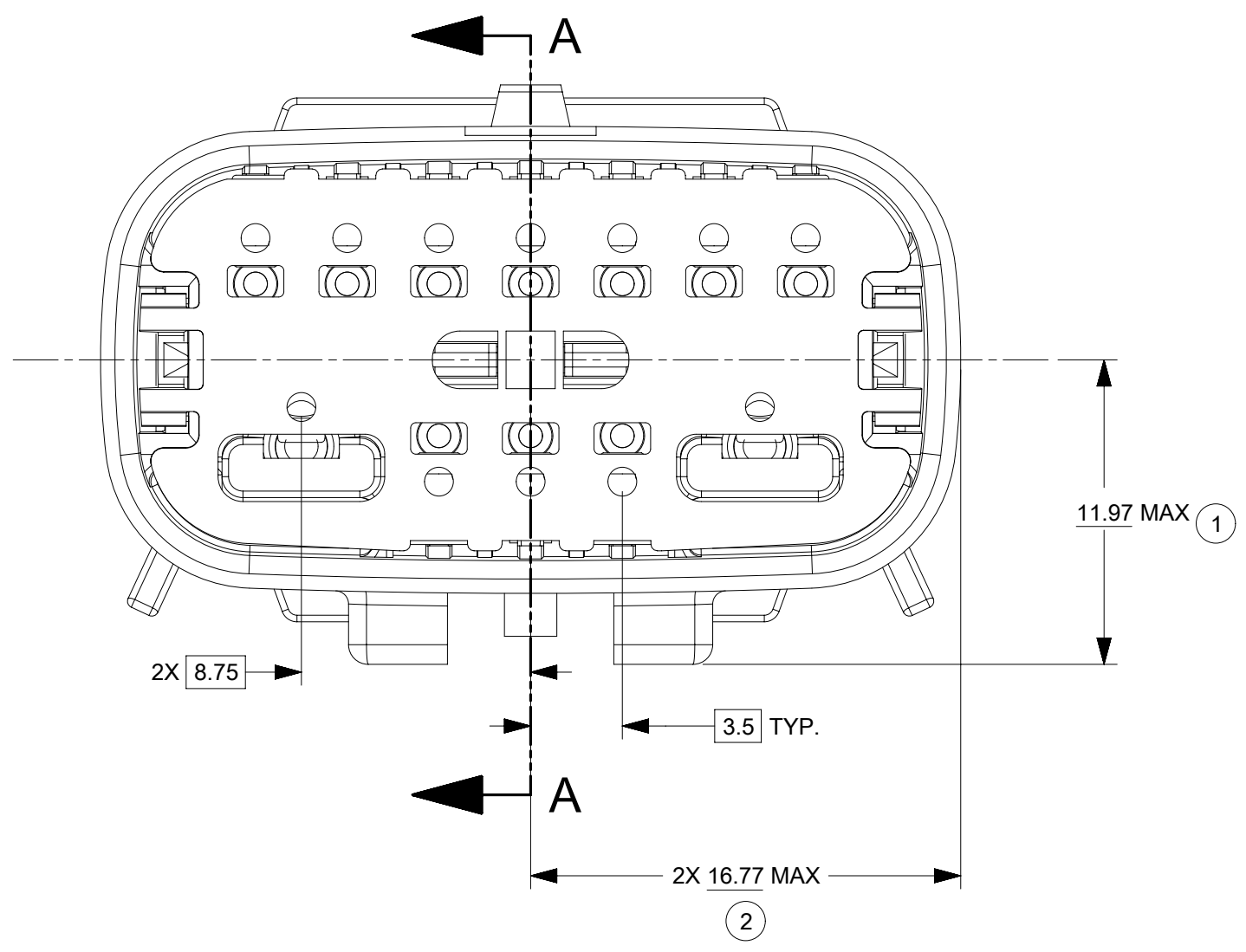


KEY D

FUNCTIONAL SYMBOLS	THIS DRAWING CONTAINS INFORMATION THAT IS PROPRIETARY TO MOLEX ELECTRONIC TECHNOLOGIES, LLC AND SHOULD NOT BE USED WITHOUT WRITTEN PERMISSION		
	DIMENSION UNITS	SCALE	CURRENT REV DESC: SEE REVISION TABLE
$\nabla_A = 0$	mm	3:1	<p>EC NO: 677478 DRWN: SCV 2021/09/13 CHK'D: GGA 2021/09/22 APPR: GGA 2021/09/22</p> <p>INITIAL REVISION: DRWN: ADING03 2017/03/28 APPR: JDENG02 2017/04/07</p>
$\nabla_C = 0$	GENERAL TOLERANCES (UNLESS SPECIFIED)		
$\nabla_D = 0$	ANGULAR TOL ± °		
DIVISIONAL SYMBOLS	4 PLACES ±		
	3 PLACES ±		
	2 PLACES ±		PRODUCT CUSTOMER DRAWING
	1 PLACE ±		DOCUMENT NUMBER
	0 PLACES ±		1601120000
			DOC TYPE
			PSD
			DOC PART
			000
			REVISION
			D5
			MATERIAL NUMBER
			160112
			CUSTOMER
			CHARTED
			SHEET NUMBER
			3 OF 6

SEE NOTES

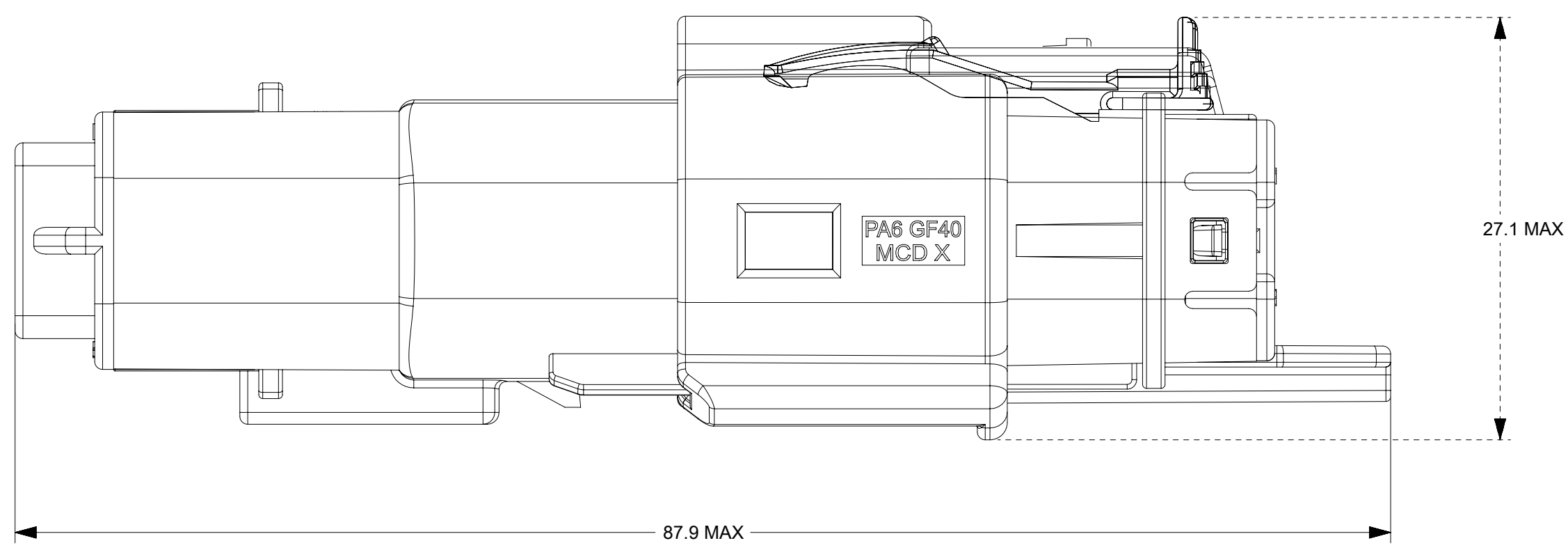
SHEET DESCRIPTION
BLADE CONNECTOR ASSEMBLY



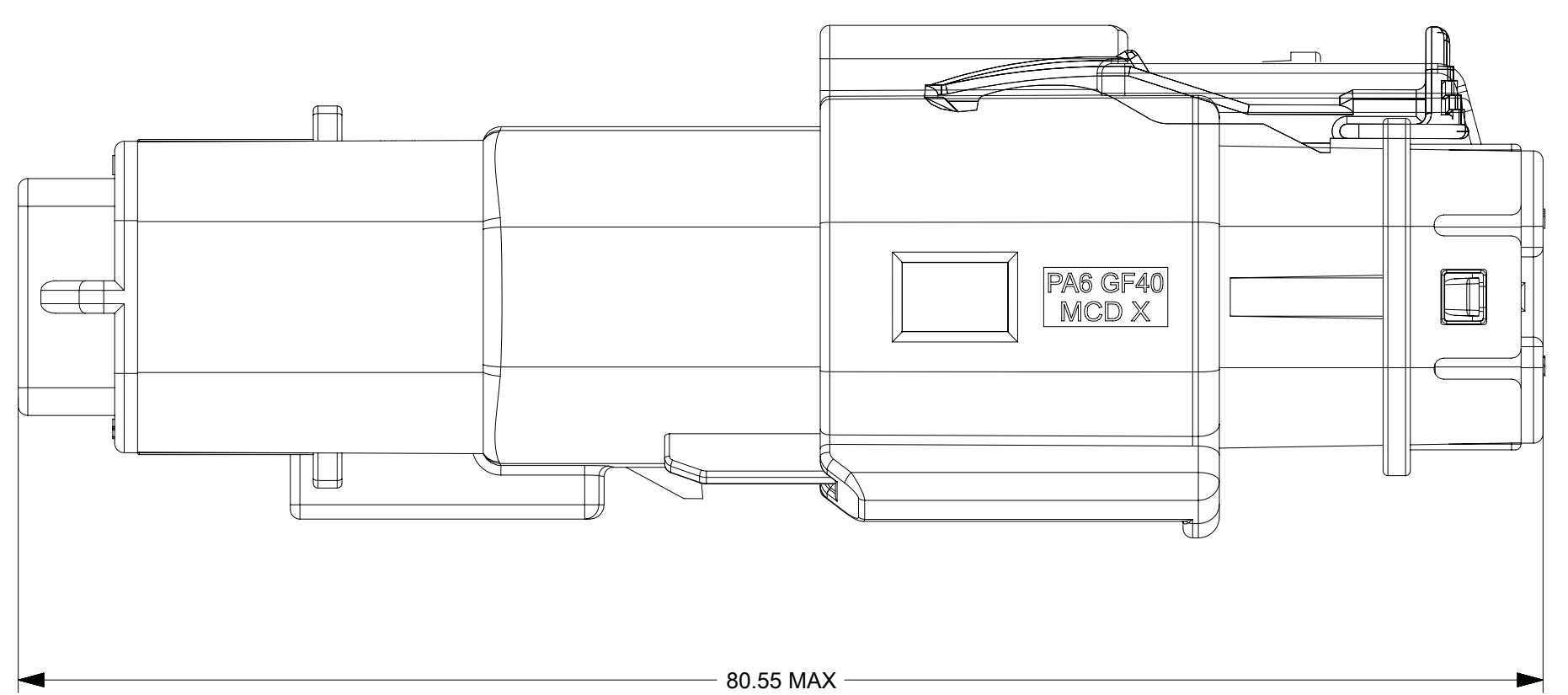
FUNCTIONAL SYMBOLS FA = 0 FE = 0 FP = 0 DIVISIONAL SYMBOLS SEE NOTES	THIS DRAWING CONTAINS INFORMATION THAT IS PROPRIETARY TO MOLEX ELECTRONIC TECHNOLOGIES, LLC AND SHOULD NOT BE USED WITHOUT WRITTEN PERMISSION		CURRENT REV DESC: SEE REVISION TABLE			
	DIMENSION UNITS: mm SCALE: 4:1 GENERAL TOLERANCES (UNLESS SPECIFIED) ANGULAR TOL: ± ° 4 PLACES ± 3 PLACES ± 2 PLACES ± 1 PLACE ± 0 PLACES ±	EC NO: 677478 DRWN: SCV 2021/09/13 CHK'D: GGA 2021/09/22 APPR: GGA 2021/09/22 INITIAL REVISION: DRWN: ADING03 2017/03/28 APPR: JDENG02 2017/04/07		DOCUMENT NUMBER: 1601120000 DOC TYPE: PSD DOC PART: 000 REVISION: D5		
DRAFT WHERE APPLICABLE MUST REMAIN WITHIN DIMENSIONS		THIRD ANGLE PROJECTION	DRAWING: D-SIZE	SERIES: 160112	MATERIAL NUMBER: CHARTED CUSTOMER:	SHEET NUMBER: 4 OF 6

DOCUMENT STATUS	P1	RELEASE DATE	2021/09/22	16:31:12
-----------------	----	--------------	------------	----------

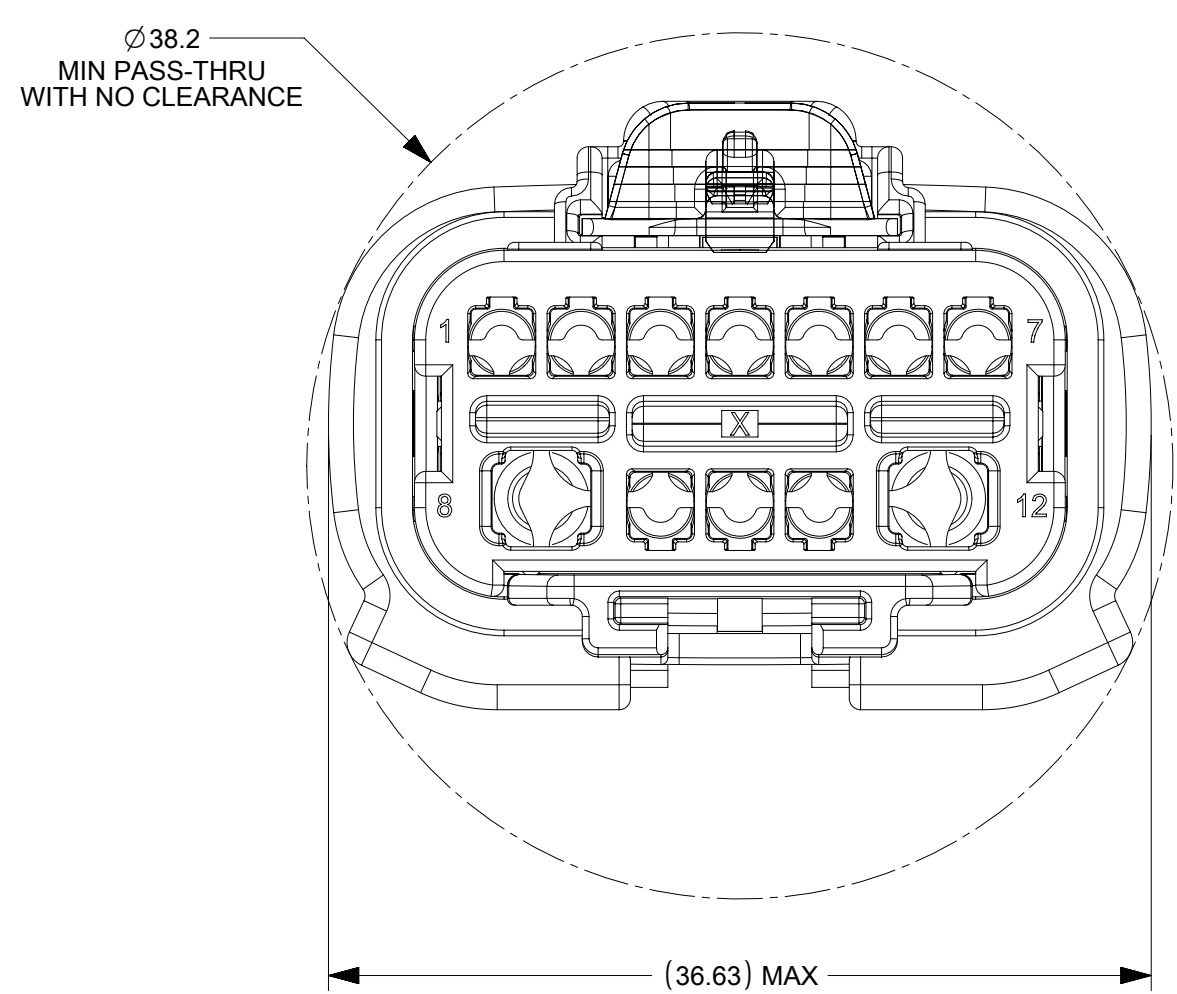
SHEET DESCRIPTION
SYSTEM PACKAGING



WITH EXTENDED CLIPSLOT RECEPTACLE HOUSING



NON CLIPSLOT RECEPTACLE HOUSING



FUNCTIONAL SYMBOLS	THIS DRAWING CONTAINS INFORMATION THAT IS PROPRIETARY TO MOLEX ELECTRONIC TECHNOLOGIES, LLC AND SHOULD NOT BE USED WITHOUT WRITTEN PERMISSION												
FA = 0	DIMENSION UNITS		SCALE		CURRENT REV DESC: SEE REVISION TABLE								
FC = 0	mm		3:1										
FD = 0	GENERAL TOLERANCES (UNLESS SPECIFIED)										EC NO: 677478 DRWN: SCV 2021/09/13 CHK'D: GGA 2021/09/22 APPR: GGA 2021/09/22		
DIVISIONAL SYMBOLS	ANGULAR TOL ± °												
SEE NOTES	4 PLACES ±				INITIAL REVISION:					DOCUMENT NUMBER			
	3 PLACES ±				DRWN: ADING03 2017/03/28					1601120000			
	2 PLACES ±				APPR: JDENG02 2017/04/07					PSD	000	D5	
	1 PLACE ±				DRAFT WHERE APPLICABLE MUST REMAIN WITHIN DIMENSIONS					THIRD ANGLE PROJECTION	DRAWING	SERIES	
	0 PLACES ±									D-SIZE	160112	CHARTED	
	DOCUMENT STATUS	P1	RELEASE DATE	2021/09/22	16:31:12							SHEET NUMBER	5 OF 6

