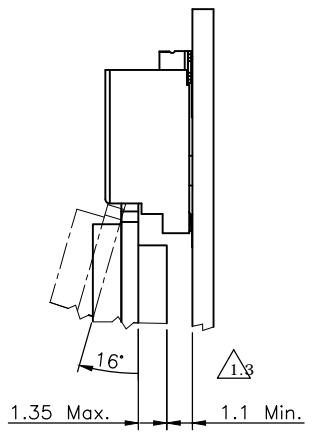


Recommended Layout (Top View)  
General Tolerance: ±0.05mm



Date code: YWWD  
Y=Year, 0~9  
WW=Week, 1~52  
D=Day, 1~7

REV.	DESCRIPTION	DRAWN	DATE
1.1	Add flatness tolerance	FROS	2019/08/07
1.2	Corrected temperature to 85°C	FROS	2019/08/15
1.3	Added M.2 module thickness & related space height	FROS	2019/08/29

**SPECIFICATION:**

**1. ELECTRICAL**

- 1.1 Current Rating: 0.5A per pin
- 1.2 Voltage Rating: 50VAC
- 1.3 Contact Resistance: 50mΩ
- 1.4 Insulation Resistance: 500MΩ
- 1.5 Dielectric Withstanding Voltage: 300VAC

**2. MECHANICAL**

- 2.1 Durability: 60 Cycle
- 2.2 Mating Force: 20N max.
- 2.3 Un-mating Force: 25N max.

**3. ENVIRONMENTAL**

- 3.1 Operating temperature range: -40°C~+85°C
- 3.2 Storage temperature range: -40°C~+85°C

**4. SOLDER ABILITY**

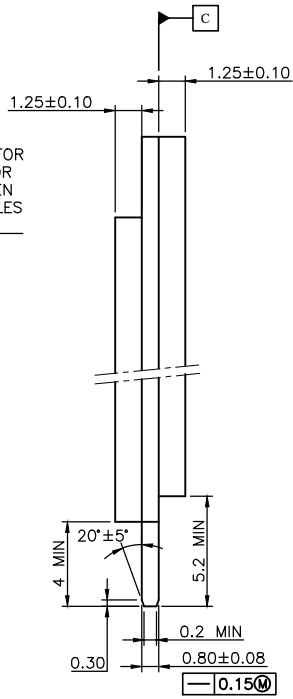
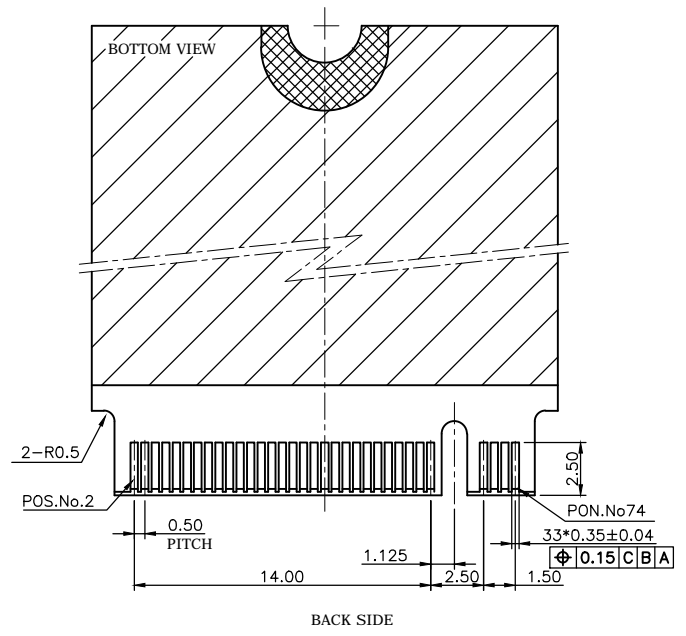
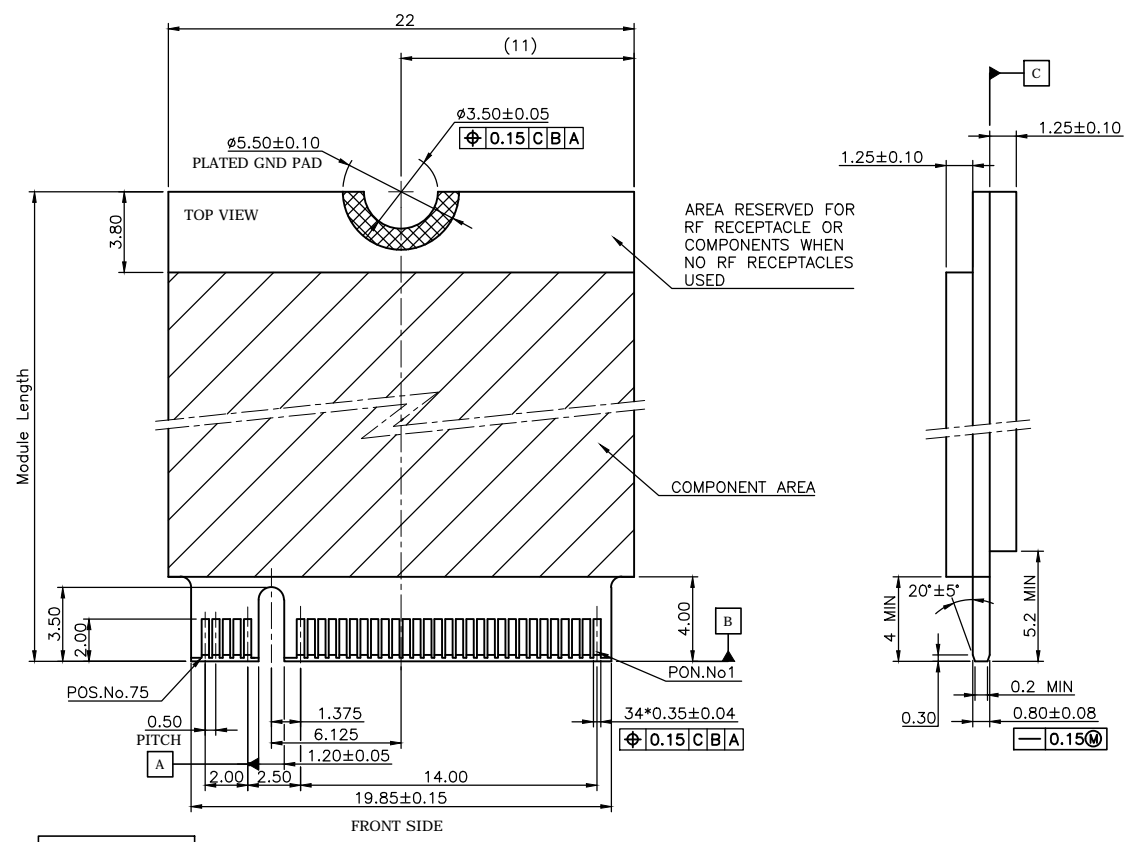
- 4.1 Recommended IR Reflow (Wave Soldering) Temperature: 260°C

4	HOLD DOWN	BRASS, C2680R-H, 100u" Matte Tin plated, under-plated Nickel 50u"	
3	LOWER CONTACT	PHOSPHOR BRONZE, C5210R-EH	
2	UPPER CONTACT	Contact area: Gold flash, Solder area: Gold flash, all under-plated Nickel 50u"	
1	INSULATOR	LCP, UL94V-0, BLACK	
NO.	PART NAME	DESCRIPTION	
UNLESS OTHERWISE SPECIFIED TOLERANCE			
UNIT:	DECIMAL	LINEAR	ANGLES
mm	X.	±0.50	±5°
	X.X	±0.25	±3°
	X.XX	±0.12	±1°
DRAWN		Fros	2018/12/06
CHECKED		Tim	2018/12/06
APPROVED		Ken	2018/12/06
SCALE		2.8	
SHEET		1/1	
SIZE		A4	
DRAWN NAME:		M.2 Socket, H4.0 M Key 0.5 Pitch G/F, Black, Reel	
PRODUCT NO.		123A-40M00	
FILE NAME		123A-40M00_B_1.3	





WWW.ATTEND.COM.TW

REV.	DESCRIPTION	DRAWN	DATE
1	INITIAL RELEASE	FROS	2019/01/09
1.1	Corrected	FROS	2019/09/11



Module Length (mm)
42
60
80
110

KEY ID "M"  
RECOMMENDED MODULE LAYOUT

UNLESS OTHERWISE SPECIFIED TOLERANCE					
UNIT:	DECIMAL	LINEAR	ANGLES		
mm	X.	±0.50	±5°	www.attend.com.tw	
	X.X	±0.25	±3°		
	X.XX	±0.12	±1°		
DRAWN	Fros	2019/01/09	DRAWN NAME:		
CHECKED	Tim	2019/01/09	PCI Express M.2 Specification Module Dimensions		
APPROVED	Ken	2019/01/09	PRODUCT NO.	N/A	
	SCALE 2.8	SHEET 4/4	SIZE A4	FILE NAME	123A-CARD_B_1.1

REV.	DESCRIPTION	DRAWN	DATE
1	INITIAL RELEASE	TIM	2018/01/19

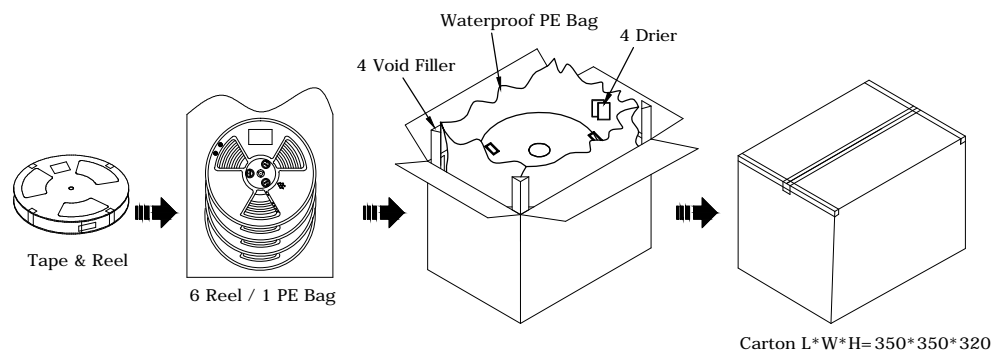
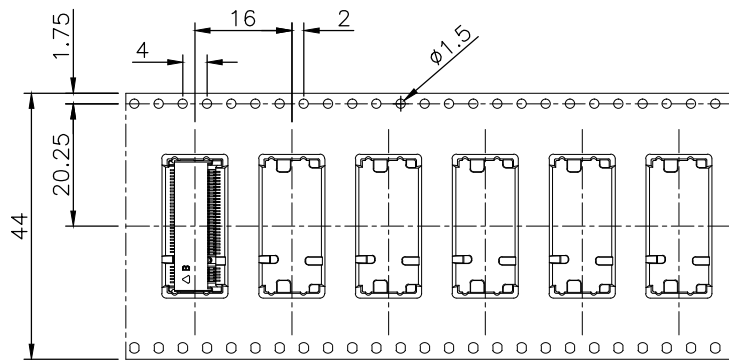
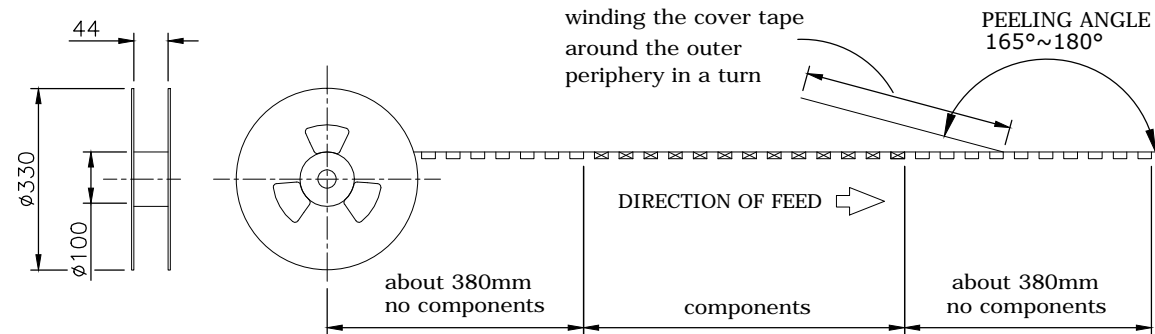
### PACKAGING SPECIFICATION:


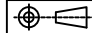
#### 1. MATERIAL

- 1.1 Embossed Carrier Tape: PS Black
- 1.2 Top Cover Tape: PET  
20-80g(Peel Speed 300mm/Minute)
- 1.3 Taping Reel: Plastic

#### 2. Packaging:

P/N	Height	Reel	Carton
123A-21X00	2.15	1200	7200
123A-30X00	3.05	900	5400
123A-40X00	4.05	700	4200
123A-58X00	5.80	600	3600



UNLESS OTHERWISE SPECIFIED TOLERANCE					
UNIT:	DECIMAL	LINEAR	ANGLES		
mm	X.	±0.50	±5°	WWW.ATTEND.COM.TW	
	X.X	±0.25	±3°		
	X.XX	±0.12	±1°		
DRAWN	Tim	2018/01/19	DRAWN NAME: M.2 CONNECTOR PACKAGING		
CHECKED	Fros	2018/01/19			
APPROVED	Ken	2018/01/19	PRODUCT NO.	123A-XXX00	
		SCALE 0.8	SHEET 1/1	SIZE A4	FILE NAME 123A-XXX00_D_1